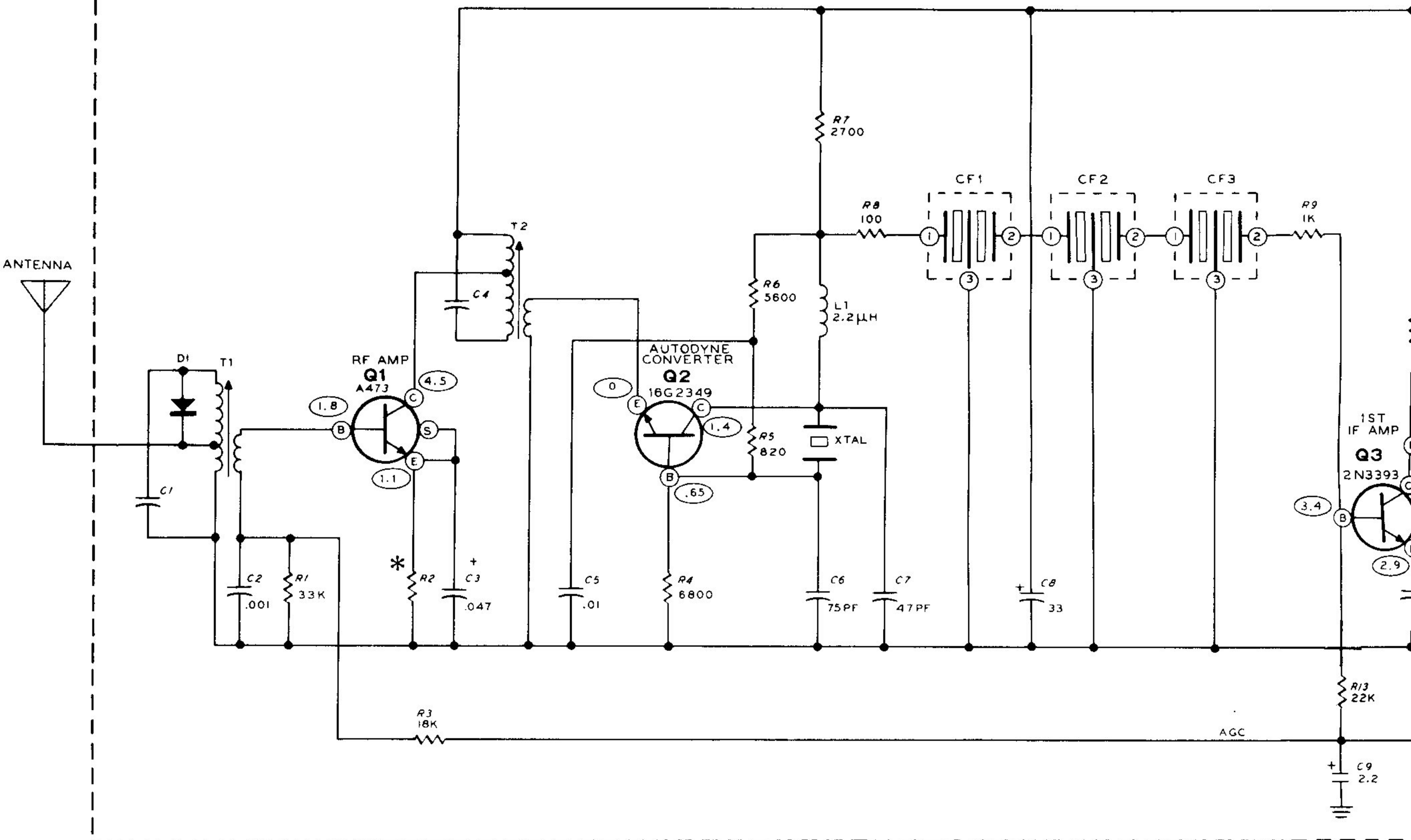


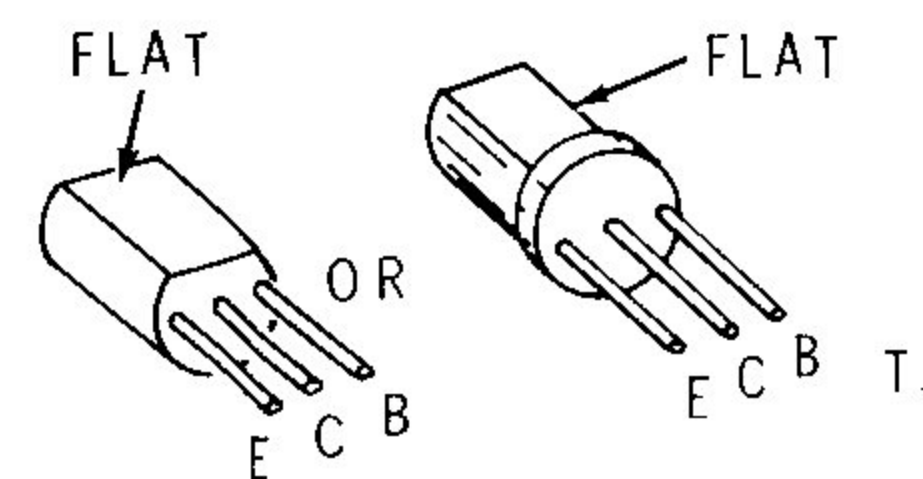
RECEIVER CIRCUIT BOARD



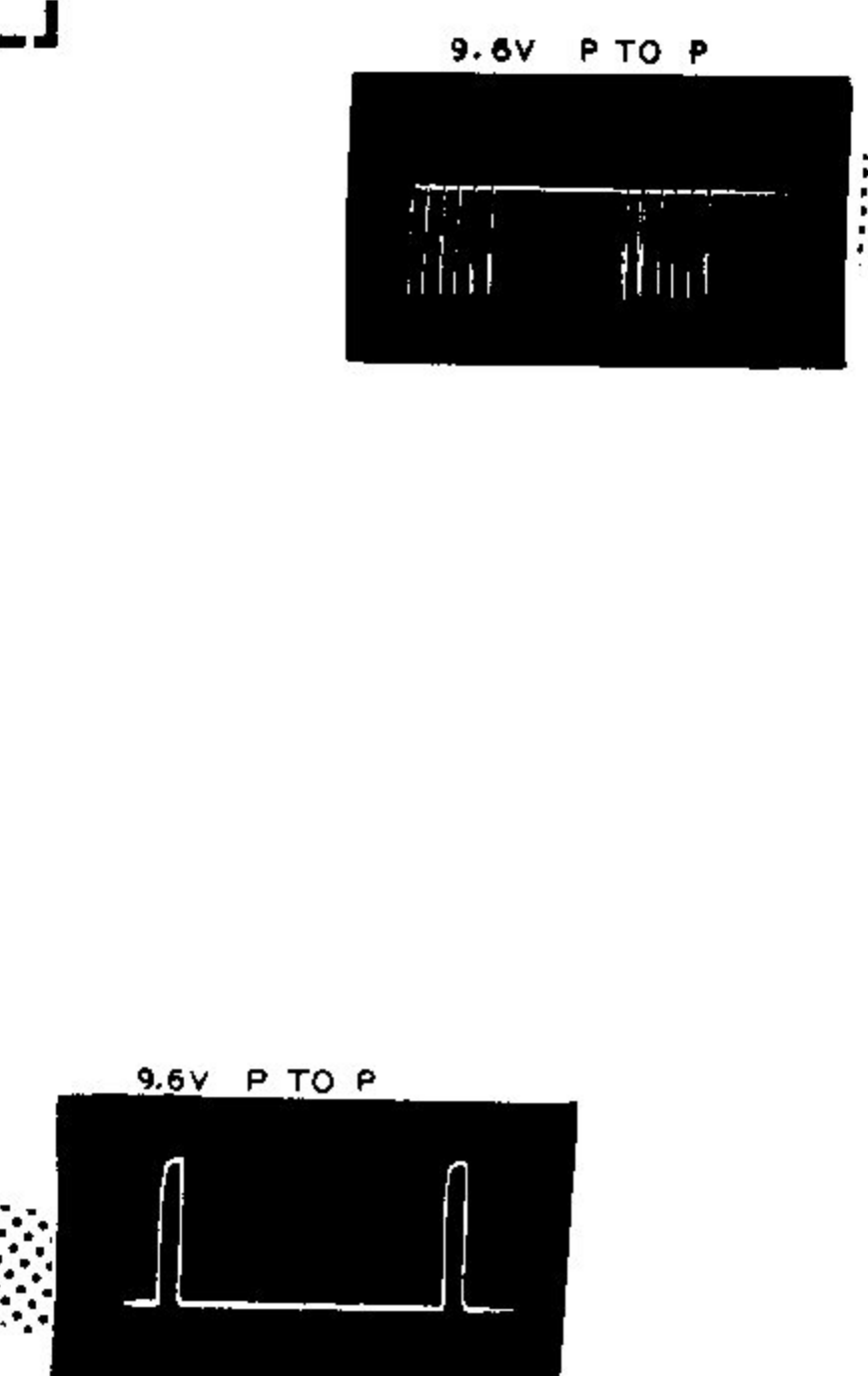
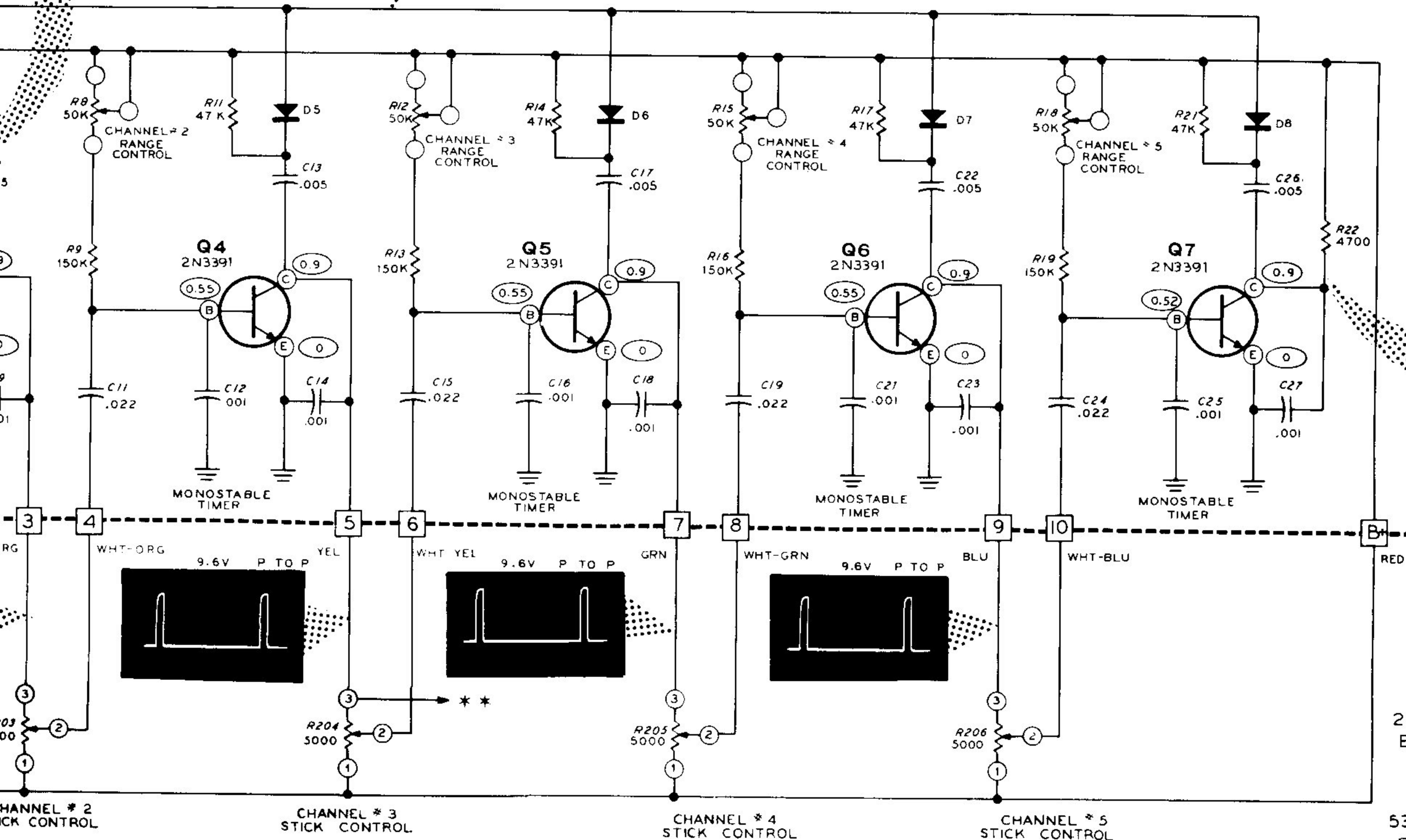
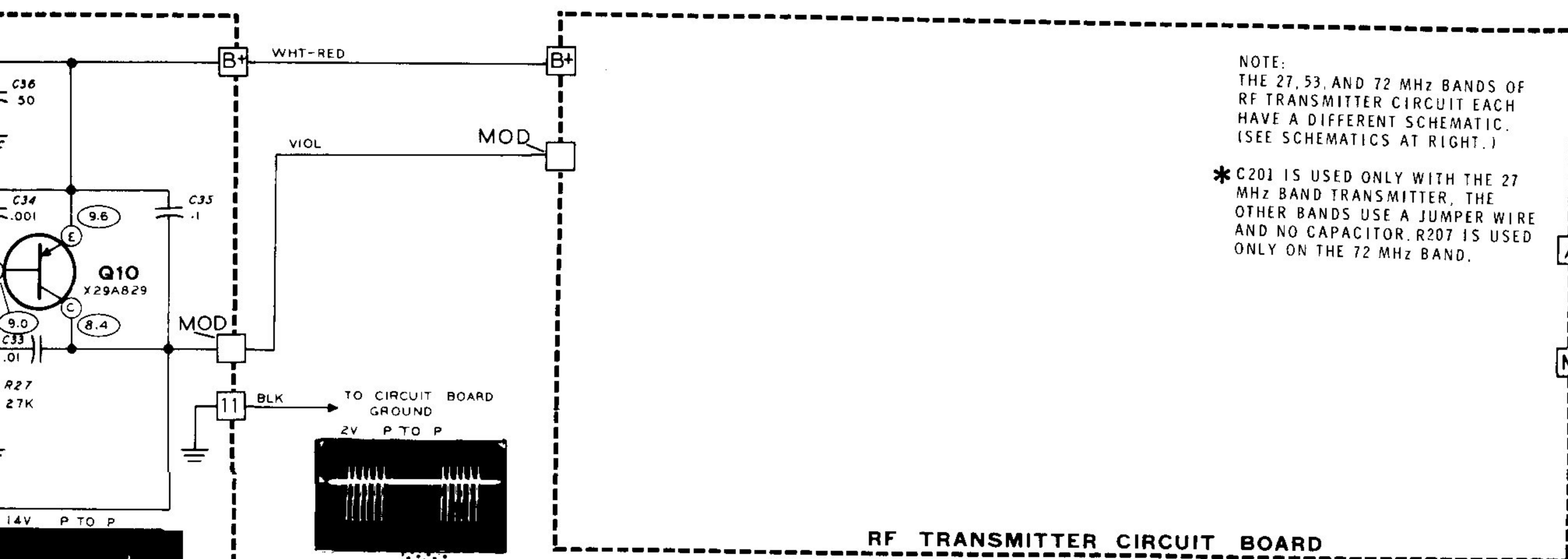
	C1	C4
27 MHZ	47PF	47PF
53-72 MHZ	27PF	27PF

**SCHEMATIC OF THE
HEATHKIT®
DIGITAL 5 PROPORTIONAL RECEIVER
MODEL GDA-19-2**

1. RESISTOR AND CAPACITOR VALUES IN PARENTHESES ARE FOR 27 MHZ OPERATION. VALUES IN BRACKETS ARE FOR 53-72 MHZ OPERATION.
2. ALL RESISTORS ARE 1/4 WATT. VALUES ARE IN OHMS (K = KILOHMS).
3. ALL CAPACITOR VALUES ARE IN P.F.
4. ○ THIS SYMBOL INDICATES A POINT WHERE NO SIGNAL IS BEING RECEIVED.
5. □ THIS SYMBOL INDICATES A POINT WHERE SIGNAL IS BEING RECEIVED.
6. ALL VOLTAGES ARE MEASURED FROM THE POINT INDICATED BY THE NUMBER.
7. REFER TO THE CIRCUIT BOARD FOR THE LOCATION OF PARTS.
8. * 470Ω RESISTOR FOR 53 MHZ OR 72 MHZ OPERATION.



16G2349
2N3393
X29A826
2N5232A



CRYSTAL FREQUENCY MHZ

TRANSMITTER	RECEIVER
26.995	26.542
27.045	26.592
27.095	26.642
27.145	26.692
27.195	26.742
53.100	26.3235
53.200	26.3735
53.300	26.4235
53.400	26.4735
53.500	26.5235
36.040	36.2665
36.120	36.3465
36.200	36.4265
36.480	36.7065
37.820	37.5935

NUMBERS ARE IN THE FOLLOWING GROUPS:

LOCATED ON THE ENCODER CIRCUIT BOARD.

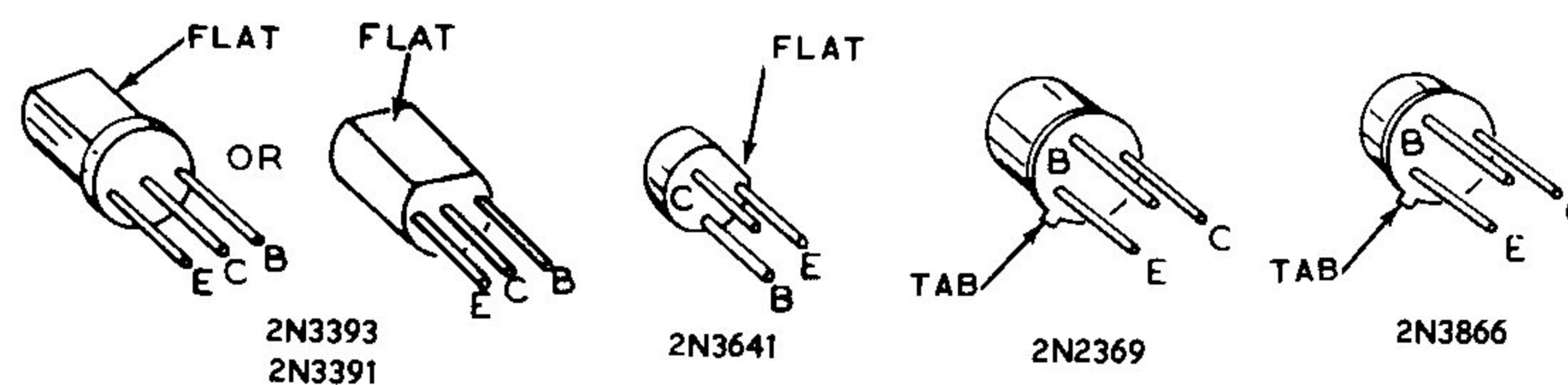
LOCATED ON THE RF TRANSMITTER CIRCUIT BOARD.

LOCATED ON THE CHASSIS.

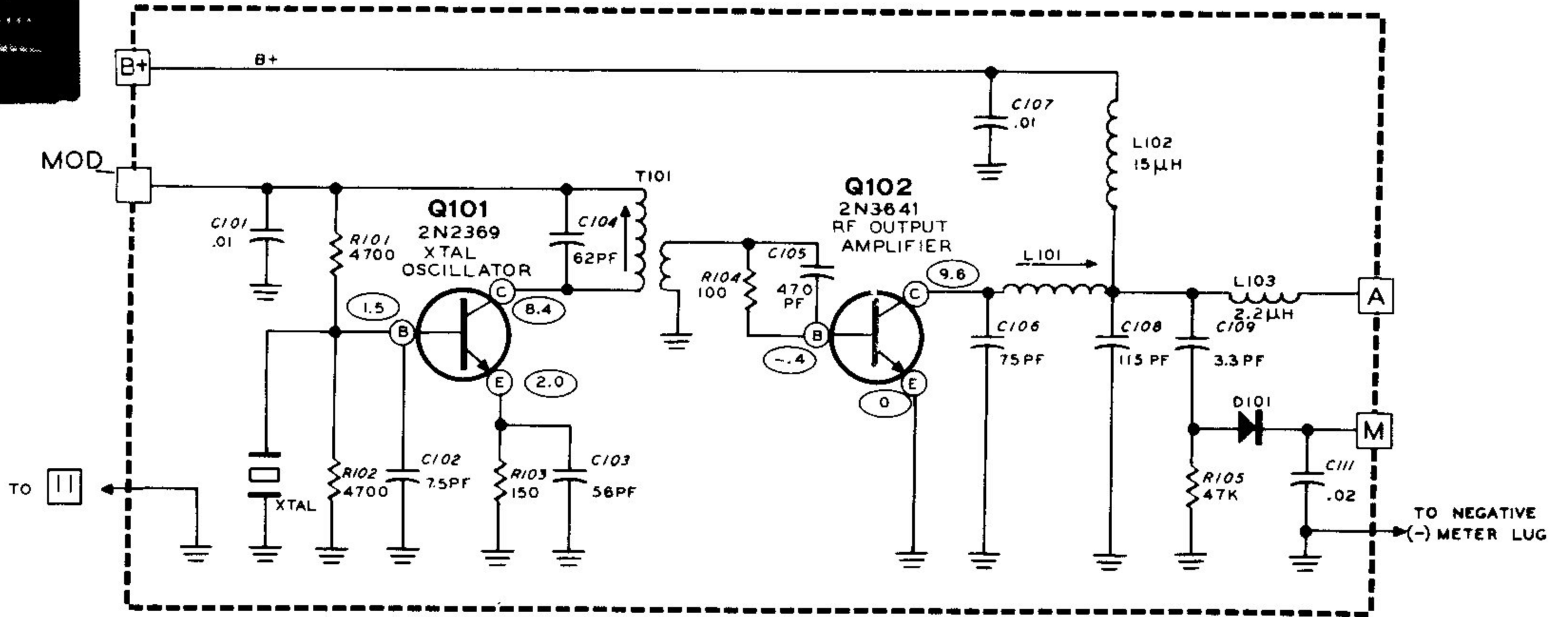
RESISTOR VALUES

RESISTOR VALUES ARE IN μF UNLESS MARKED OTHERWISE.

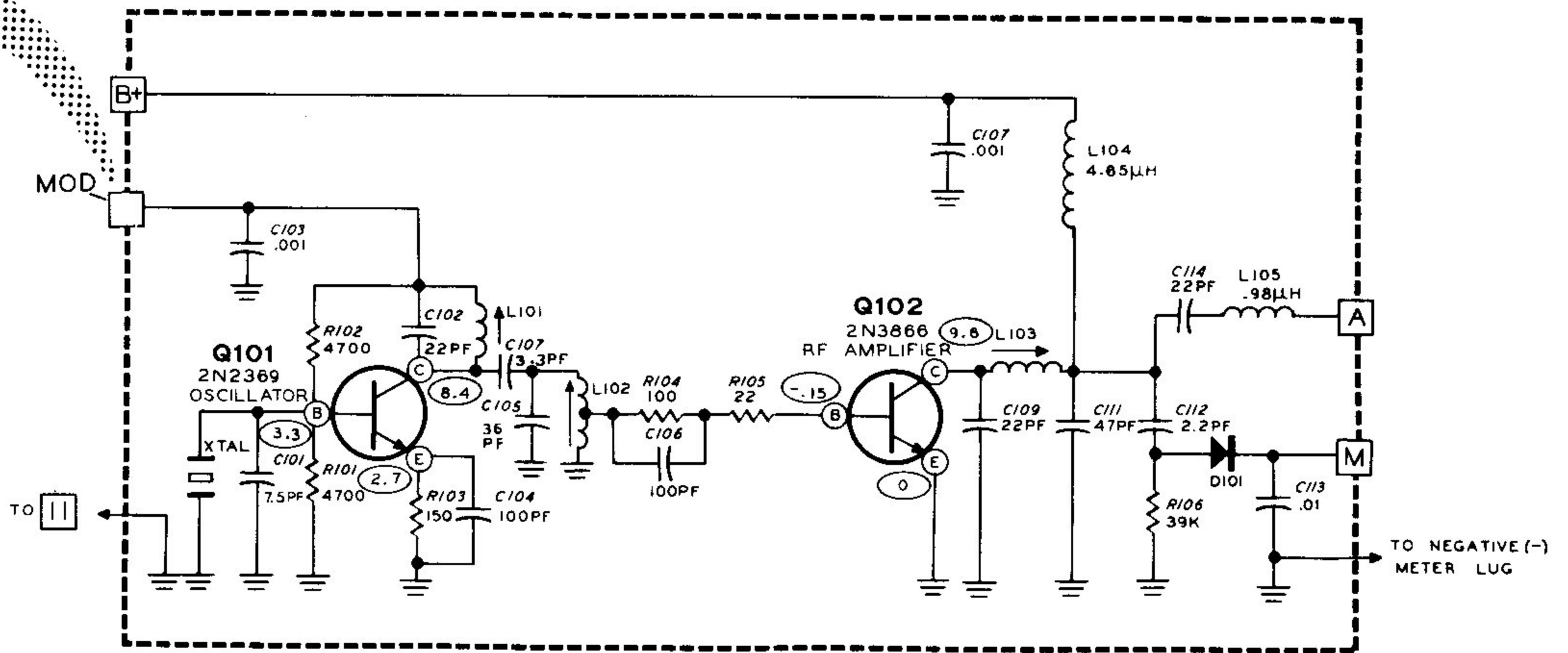
- THIS SYMBOL INDICATES A POSITIVE DC VOLTAGE MEASUREMENT, TAKEN WITH A HIGH IMPEDANCE VOLTMETER, FROM THE POINT INDICATED TO CHASSIS GROUND. VOLTAGES MAY VARY $\pm 20\%$.
- REFER TO THE CHASSIS PHOTOGRAPHS AND CIRCUIT BOARD X-RAY VIEWS FOR THE PHYSICAL LOCATION OF PARTS.



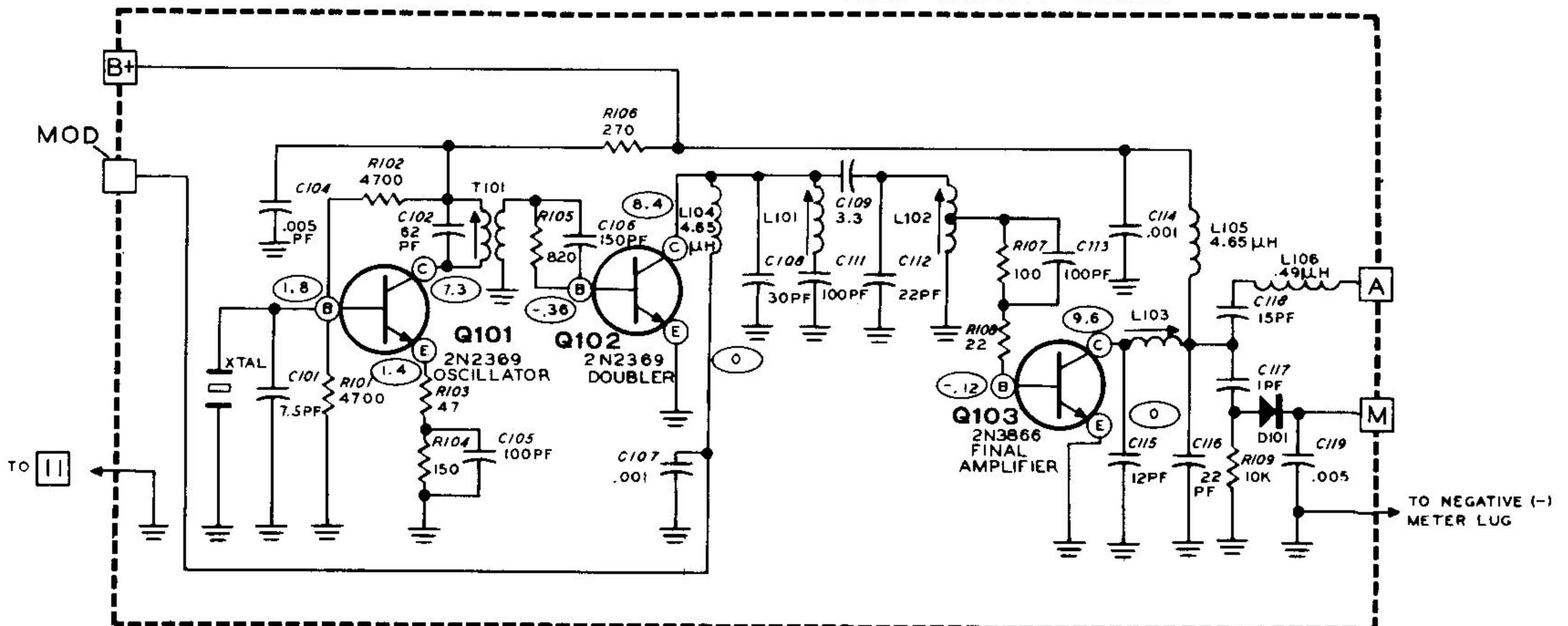
27 MHz BAND - RF TRANSMITTER CIRCUIT BOARD



53 MHz BAND - RF TRANSMITTER CIRCUIT BOARD



72 MHz BAND - RF TRANSMITTER CIRCUIT BOARD



- RECEIVER
- 26.542
 - 26.592
 - 26.642
 - 26.692
 - 26.742
 - 26.3235
 - 26.3735
 - 26.4235
 - 26.4735
 - 26.5235
 - 26.2665
 - 26.3465
 - 26.4265
 - 26.7065
 - 27.5935