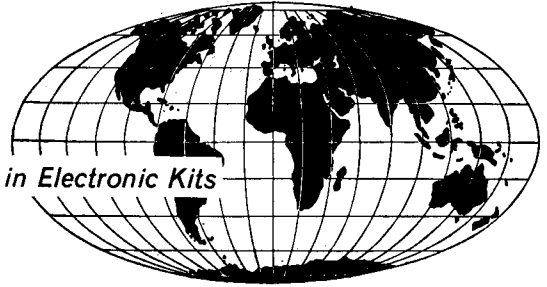


specifications

FOR THE

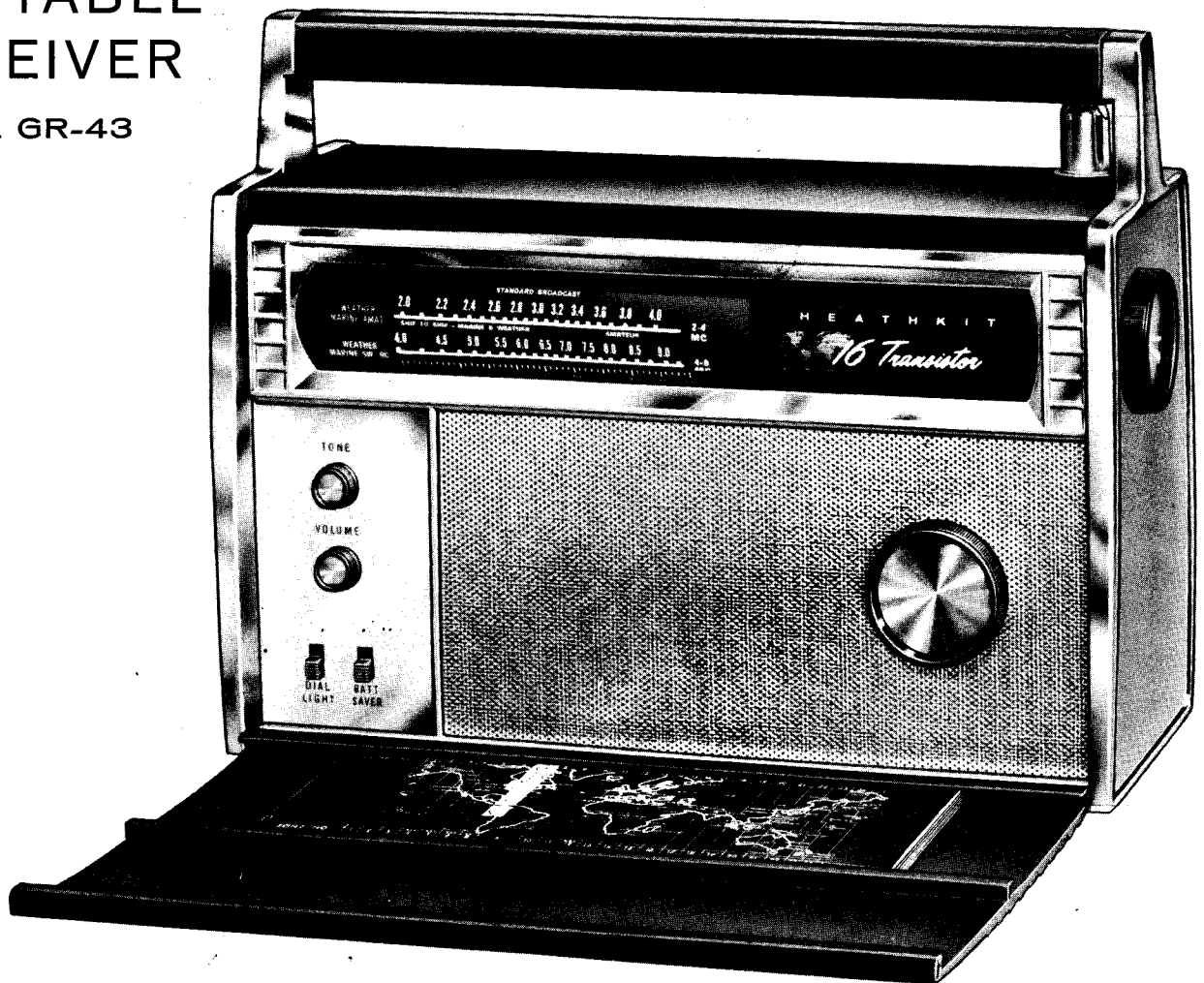


Pioneer And World-Leader in Electronic Kits



ALL-BAND TRANSISTOR PORTABLE RECEIVER

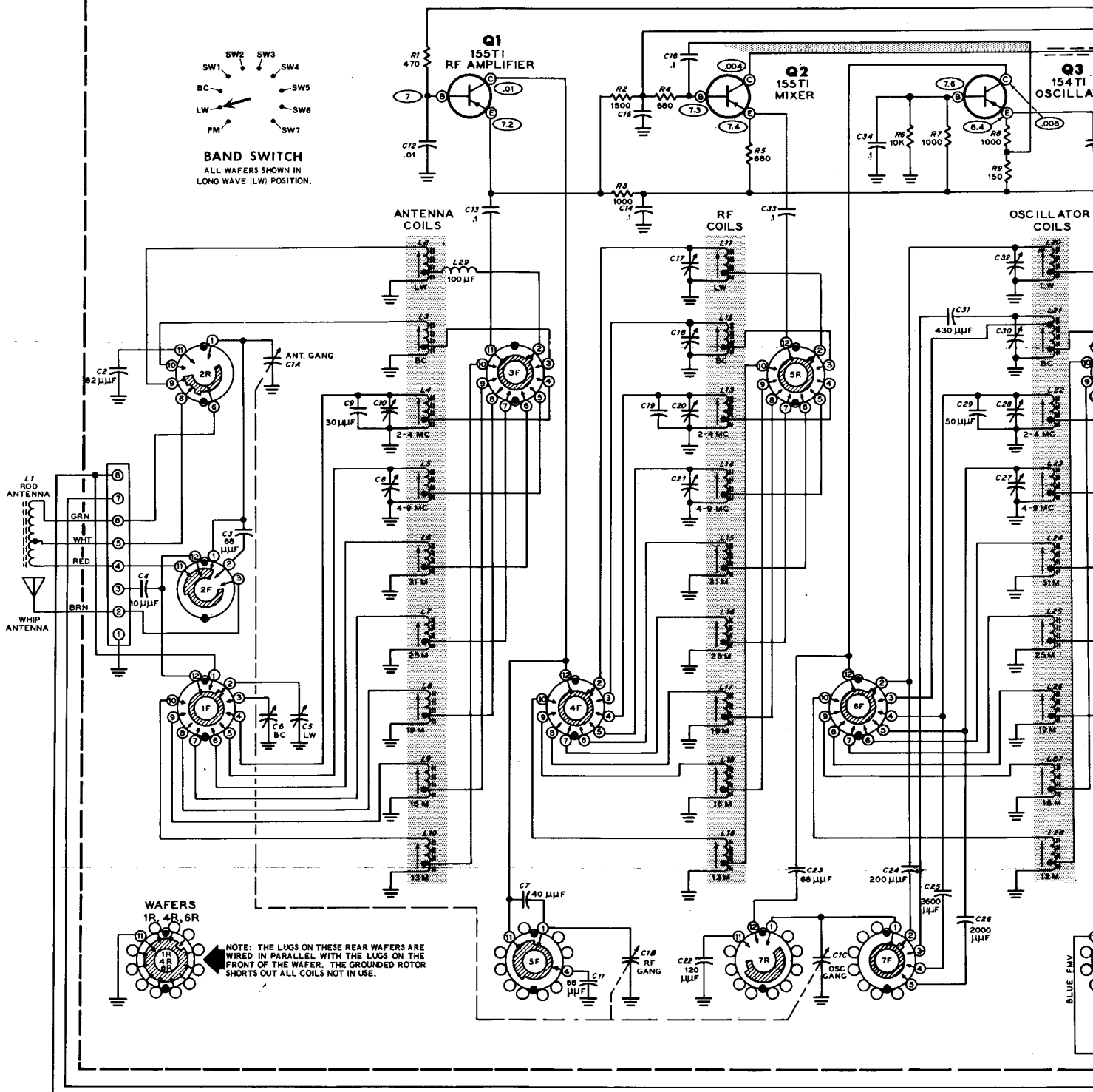
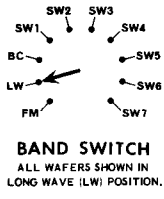
MODEL GR-43



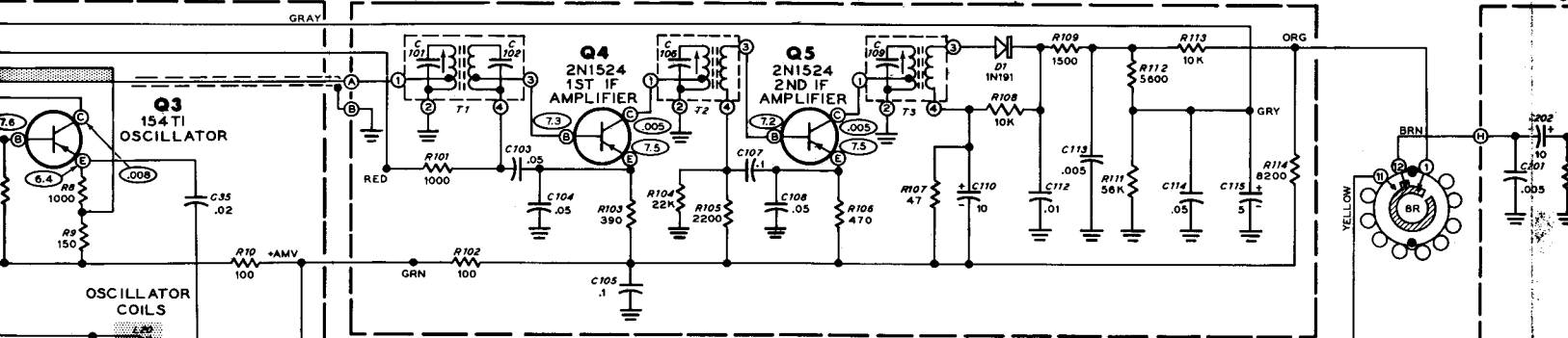
All prices are subject to change without notice. The Heath Company reserves the right to discontinue instruments and to change specifications at any time.

**HEATH COMPANY,
BENTON HARBOR, MICHIGAN**

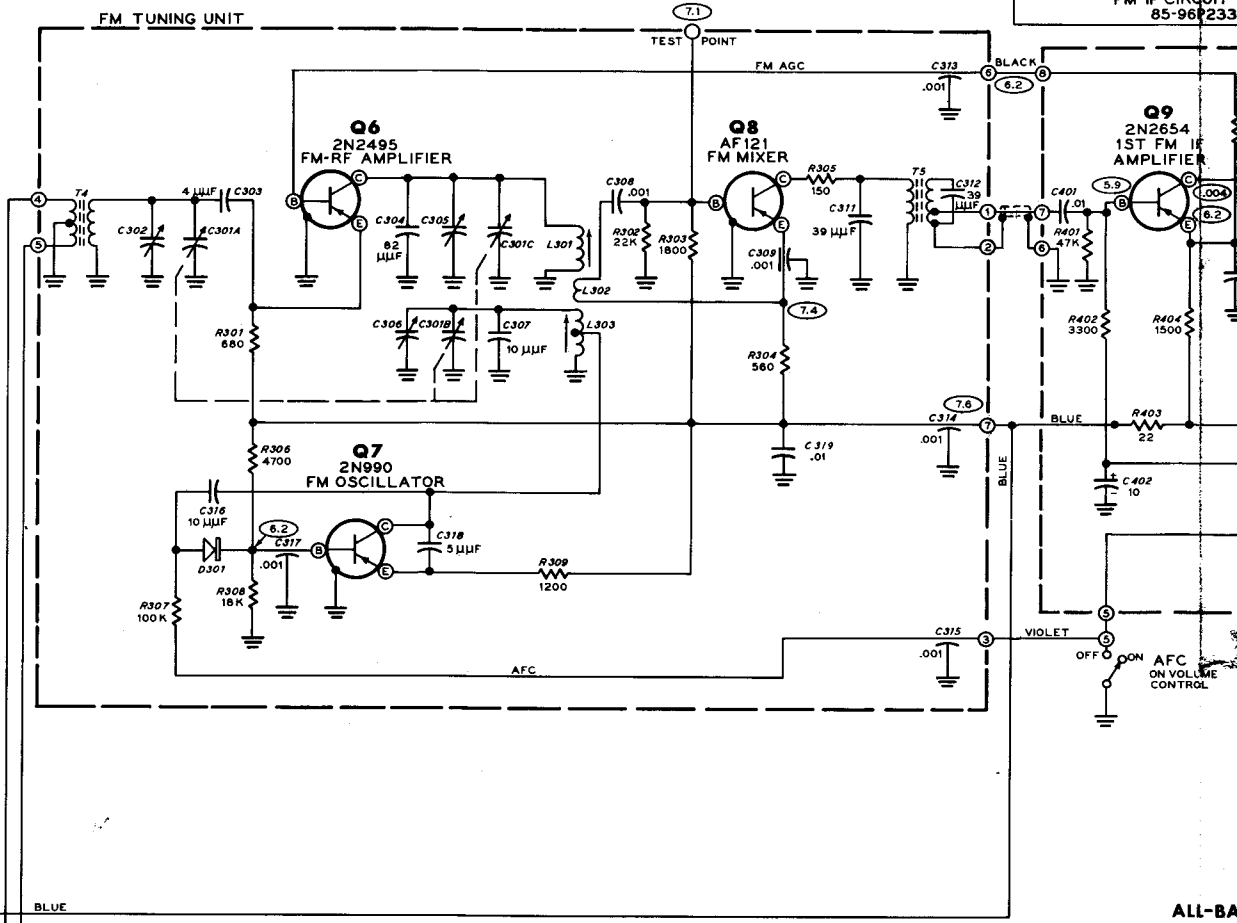
AM TUNING UNIT



AM IF CIRCUIT BOARD
85-135P234

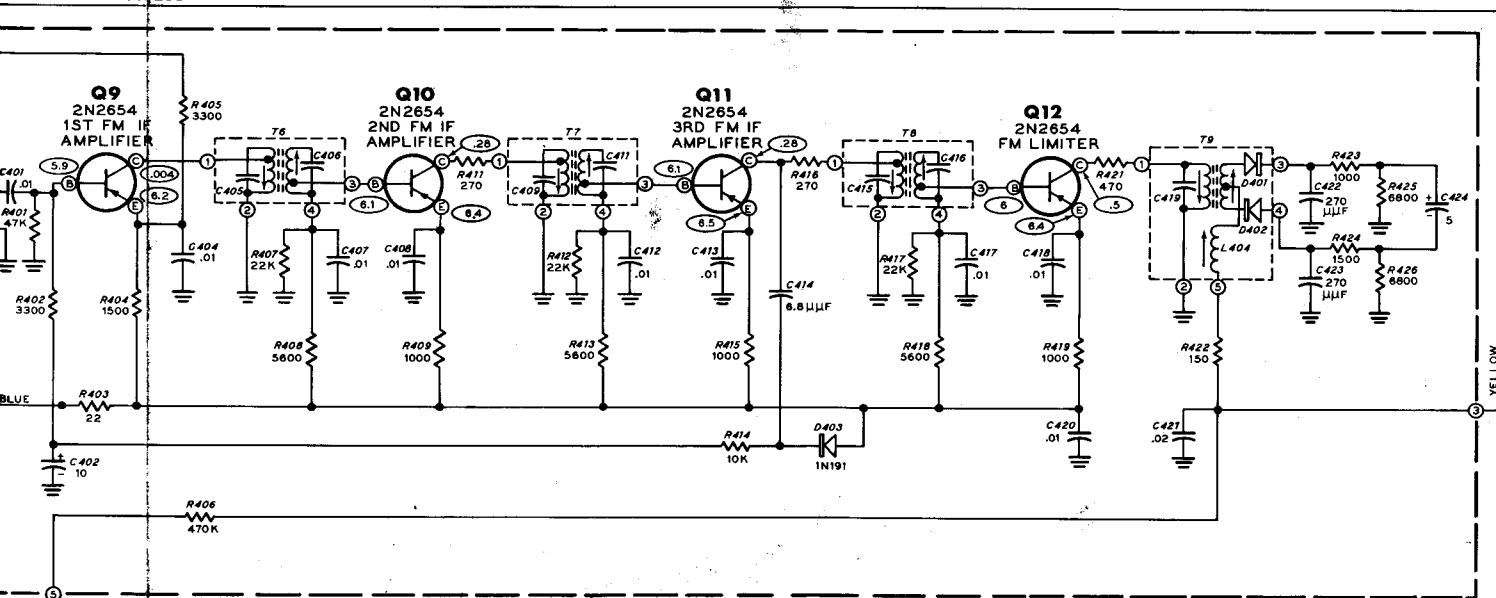
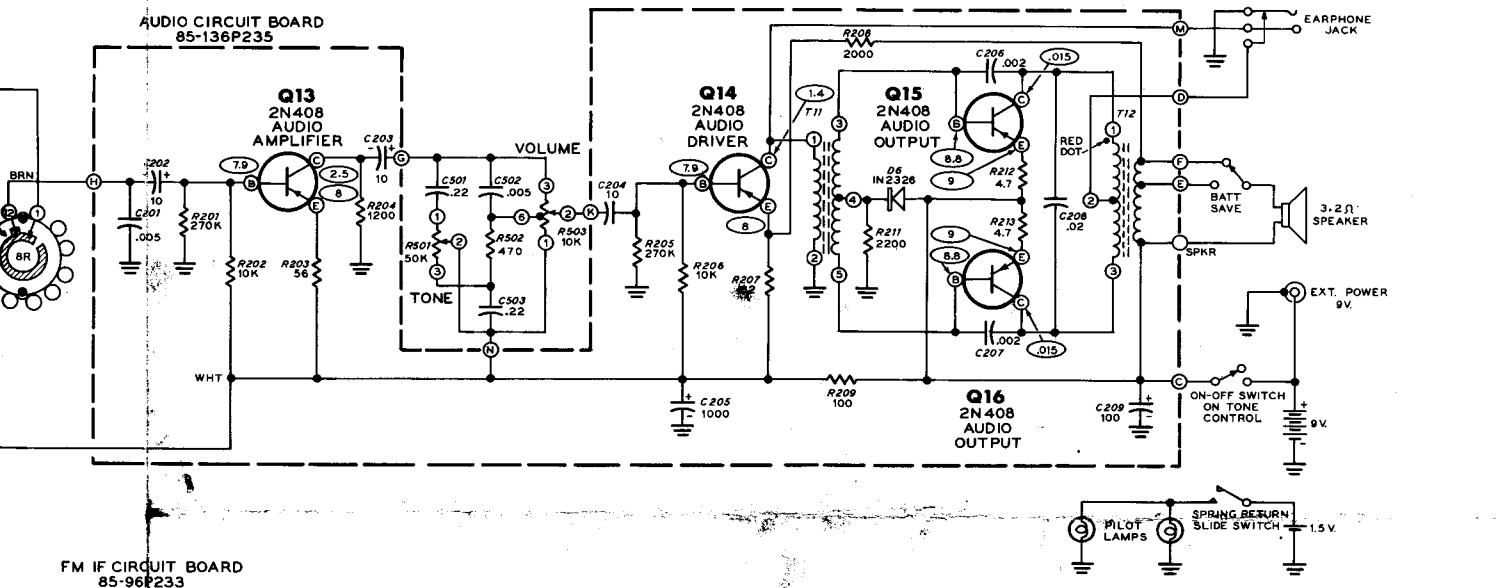


FM TUNING UNIT



FM IF CIRCUIT
85-96P233

ALL-BA



NOTES:
 1. RESISTOR AND CAPACITOR NUMBERS ARE IN THE FOLLOWING GROUPS:
 0-99 PARTS IN THE AM TUNING UNIT
 100-199 PARTS ON THE AM IF CIRCUIT BOARD
 200-299 PARTS ON THE AUDIO CIRCUIT BOARD
 300-399 PARTS IN THE FM TUNING UNIT
 400-499 PARTS ON THE FM IF CIRCUIT BOARD
 500-599 PARTS MOUNTED ON THE CHASSIS

- ALL RESISTORS ARE 1/2 WATT UNLESS MARKED OTHERWISE. RESISTOR VALUES ARE IN OHMS (K=1,000, MEG = 1,000,000).
- ALL CAPACITOR VALUES ARE IN μF UNLESS MARKED OTHERWISE.
- THIS SYMBOL INDICATES A POSITIVE DC VOLTAGE MEASUREMENT, TAKEN WITH AN 11 MEGOHM VTVM, FROM THE POINT INDICATED TO CHASSIS GROUND. VOLTAGES MAY VARY $\pm 10\%$.
- RECEIVER VOLTAGES MEASURED WITH VOLUME FULL CCW AND WITH NO SIGNAL INPUT. AFC SWITCH OFF.
- BANDSWITCH WAFERS SHOWN IN LONGWAVE POSITION (LW), POSITION E. ALL WAFERS VIEWED FROM THE KNOB END OF THE SHAFT.
- REFER TO THE CHASSIS PHOTOGRAPHS AND CIRCUIT BOARD X-RAY VIEWS FOR THE PHYSICAL LOCATION OF PARTS.

**SCHEMATIC OF THE
 HEATHKIT®
 MODEL GR-43
 ALL-BAND TRANSISTOR PORTABLE RECEIVER**

SPECIFICATIONS

AM SECTION

Tuning Range.	Long wave - 150-400 kc. Broadcast - 550-1600 kc. 2-4 MC - 2-4 mc. 4-9 MC - 4-9 mc. 31 M - 9.2-10.2 mc. 25 M - 11.2-12.4 mc. 19 M - 14.5-16.1 mc. 16 M - 16.8-18.8 mc. 13 M - 20.2-22.4 mc.
Sensitivity*.	Long Wave - 12 μv^* - 100 μv^{**} Broadcast - 10 μv^* - 100 μv^{**} 2-4 MC - 5 μv^* 4-9 MC - 3 μv^* 31 M - 3 μv^* 25 M - 2 μv^* 19 M - 2 μv^* 16 M - 2 μv^* 13 M - 2 μv^*
Intermediate Frequency (IF).	455 kc.
Antenna.	Built-in rod antenna for Long Wave and Broadcast band; built-in whip antenna for all other bands. External antenna and ground terminals available.

FM SECTION

Tuning Range.	88-108 mc.
Sensitivity	1-1/2 μv for 20 db of quieting. 2 μv for 30 db of quieting. 3 μv for 40 db of quieting.
Intermediate Frequency (IF).	10.7 mc.
Antenna.	Built-in whip with provisions for 75 Ω or 300 Ω external antennas.

*At External Antenna Input for a 10 db signal plus noise-to-noise ratio.

**Radiated signal input for a 10 db signal plus noise-to-noise ratio.

GENERAL

Audio Output.	Normal: 500 mw at 10% total harmonic distortion. Battery Saver: 160 mw at 10% total harmonic distortion.
Speaker.	4" x 6" oval; permanent magnet; 3.2 Ω voice coil impedance.
Transistor Complement.	2 - 155T1: AM RF Amplifier, AM mixer. 1 - 154T1: AM oscillator. 2 - 2N1524: AM amplifier, IF amplifier. 4 - 2N408: Audio driver, push-pull audio output. 1 - 2N2495: FM RF amplifier 1 - AF121: FM mixer. 1 - 2N990: FM oscillator. 4 - 2N2654: FM IF amplifiers, limiter.
Diode Complement.	2 - 1N191: AM audio detector, FM AGC. 2 - 1N541: FM ratio detector. 1 - 1N3182: FM oscillator AFC. 1 - 1N2326: Audio output voltage temperature compensating.
Front Panel Controls.	AFC On-Off, Volume. Tone, power On-Off. Battery Saver-Normal. Dial Light Off-On. Tuning.
Side Panel Control	Band switch.
Batteries.	6 - 1-1/2 volt size D cell. 1 - 1-1/2 volt size C cell.
Dimensions.	13-1/2" wide x 5-1/8" deep x 10-3/8" high, including handle.
Net Weight.	Approximately 17 lbs., including batteries.
