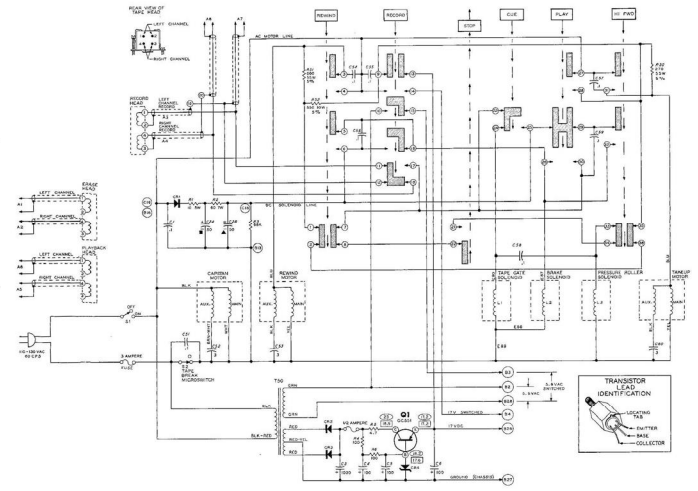


**SCHEMATIC OF THE  
MAGNECORD-HEATHKIT®  
STEREO TAPE RECORDER  
MODEL AD-16  
(ELECTRONIC CIRCUITS SCHEMATIC)**

- NOTES:
- RESISTOR AND CAPACITOR NUMBERS ARE IN THE FOLLOWING GROUPS:  
100 - 100 LEFT CHANNEL CIRCUIT  
200 - 200 RIGHT CHANNEL CIRCUIT  
300 - 300 COMMON MICROWHOLE CIRCUIT
  - ALL RESISTORS ARE 1/2 WATT, 10% UNLESS OTHERWISE SPECIFIED.
  - ALL CAPACITOR VALUES ARE IN MICROFARADS UNLESS OTHERWISE SPECIFIED.
  - 100 OHM RESISTOR IS SHOWN AS 100.
  - FOR SYMBOLS & CONTROL INDICATED CLOCKWISE POSITION.
  - ROTARY SWITCHES ARE VIEWED FROM THE CLOCKWISE END OF THE SHAFT.
  - THE MONITOR SWITCH IS SHOWN IN THE CLOCKWISE (OFF) POSITION.
  - THE EQUALIZER SWITCH IS SHOWN IN THE CLOCKWISE (FAST) POSITION.
  - THE RECORD SWITCH IS SHOWN IN THE COUNTERCLOCKWISE (LEFT CHANNEL) POSITION.
  - ALL DC VOLTAGES ARE NEGATIVE AND MEASURED FROM POINT INDICATED TO GROUND CHASSIS.
  - AC VOLTAGES MEASURED BETWEEN POINTS INDICATED.
  - LINE VOLTAGE IS 117 VOLTS, 60 CYCLE AC.
  - THE WIDE LINES ON THE SCHEMATIC REPRESENT THE PLAYBACK AND RECORD SIGNAL PATHS.
  - INDICATES VOLTAGE MEASURED WITH STOP BUTTON PRESSED.
  - INDICATES VOLTAGE MEASURED WITH RECORD BUTTON PRESSED.



**TAPE TRANSPORT SCHEMATIC**

- NOTES:
- RESISTOR AND CAPACITOR NUMBERS ARE IN THE FOLLOWING GROUPS:  
10 - 10 PARTS MOUNTED ON THE POWER SUPPLY CIRCUIT BOARD.  
20 - 20 PARTS MOUNTED ON THE CHASSIS.  
30 - 30 PARTS MOUNTED ON THE MOTOR DRIVE ASSEMBLY.
  - ALL RESISTORS ARE 1/2 WATT, 10% UNLESS OTHERWISE SPECIFIED.
  - ALL CAPACITOR VALUES ARE IN MICROFARADS UNLESS OTHERWISE SPECIFIED.
  - TAPE BREAK MECHANISM SWITCH IS SHOWN IN RECORDER OPERATING POSITION.
  - TAPE TRANSPORT SWITCH ASSEMBLY IS SHOWN IN STOP POSITION WITH SWITCH LEVERS POINTING AWAY FROM YOU.
  - STOP BUTTON PRESSED IN.
  - ALL OTHER BUTTONS OUT.