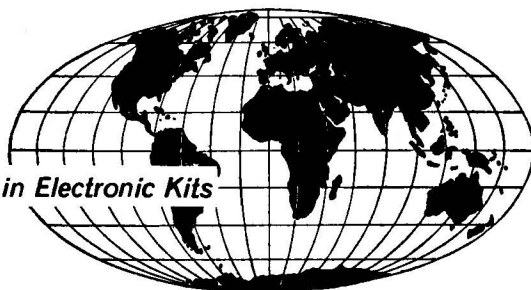


specifications

FOR THE



Pioneer And World-Leader in Electronic Kits



CODE OSCILLATOR

Model HD-16



All prices are subject to change without notice. The Heath Company reserves the right to discontinue instruments and to change specifications at any time.

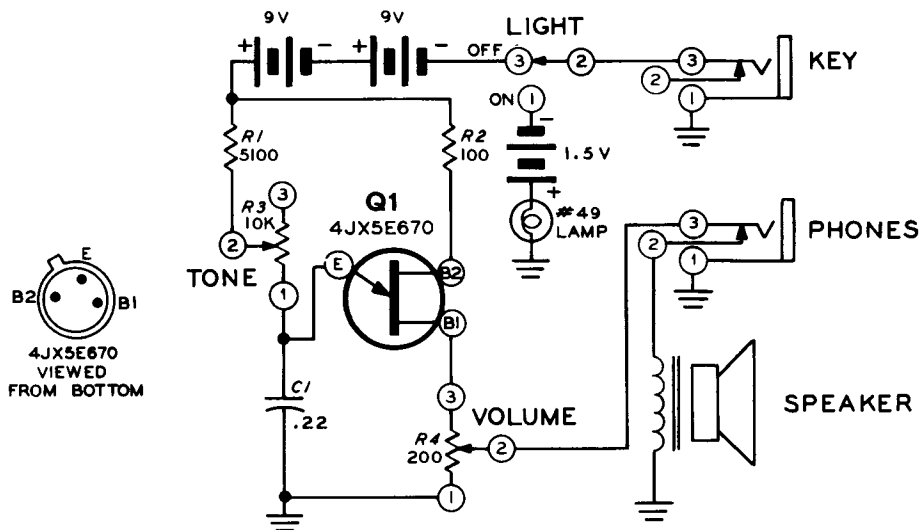
HEATH COMPANY
BENTON HARBOR,
MICHIGAN

SPECIFICATIONS

Modes Of Operation.	Audible tone from speaker or headphones. Visual indication from lamp.
Tone Frequency.	500 Hz nominal center frequency (adjustable).
Controls.	Volume control. Tone control. Light switch (Off-On).
Front Panel Connections.	Key jack (key furnished). Phones jack.
Speaker.	130 ohms, permanent magnet type.
Transistor.	4JX5E670, GE unijunction.
Batteries Required (not supplied).	1 - C cell (1.5 volt). 2 - #9-volt transistor batteries (NEDA #1604, or equivalent).
Color.	Dark green and pale gray. Wrinkle enamel finish.
Dimensions.	4-5/8" wide x 4-1/4" high x 4-3/4" deep (phone plug not inserted).
Net weight.	1-1/3 lbs.

The Heath Company reserves the right to discontinue instruments and to change specifications at any time without incurring any obligation to in-

corporate new features in instruments previously sold.



**SCHEMATIC OF THE
HEATHKIT®
CODE OSCILLATOR
MODEL HD-16**

- NOTES:
 1. ALL RESISTORS ARE 1/2 WATT.
 2. ALL RESISTOR VALUES ARE IN OHMS (K=1000).
 3. ALL CAPACITOR VALUES ARE IN μ fd.