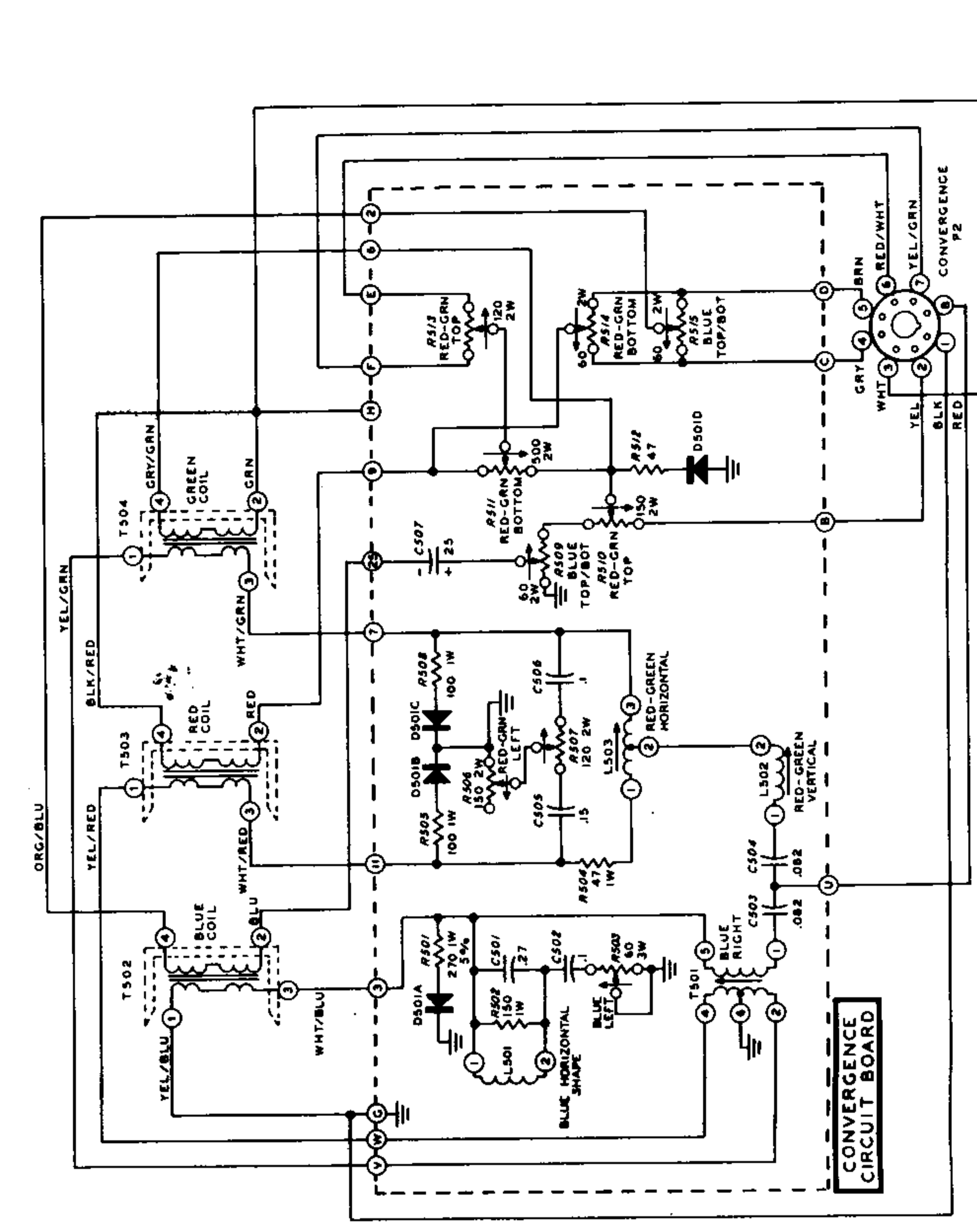
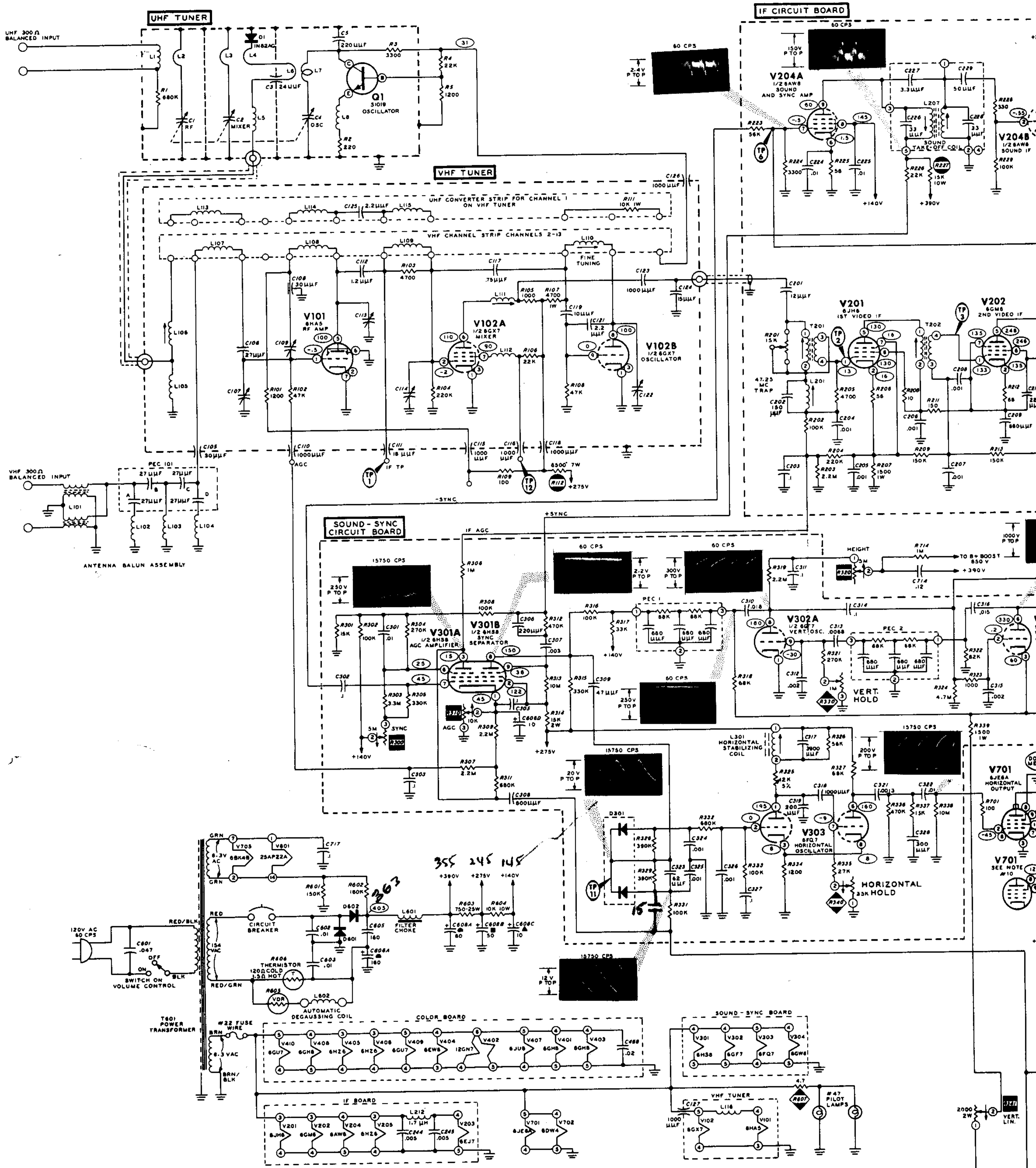


OF THE
KIT
VISION SET
R-25



WAVEFORMS TAKEN BETWEEN LUG 3 OF L801 AND LUG 2 OF TOP-BOTTOM CONTROL R810.

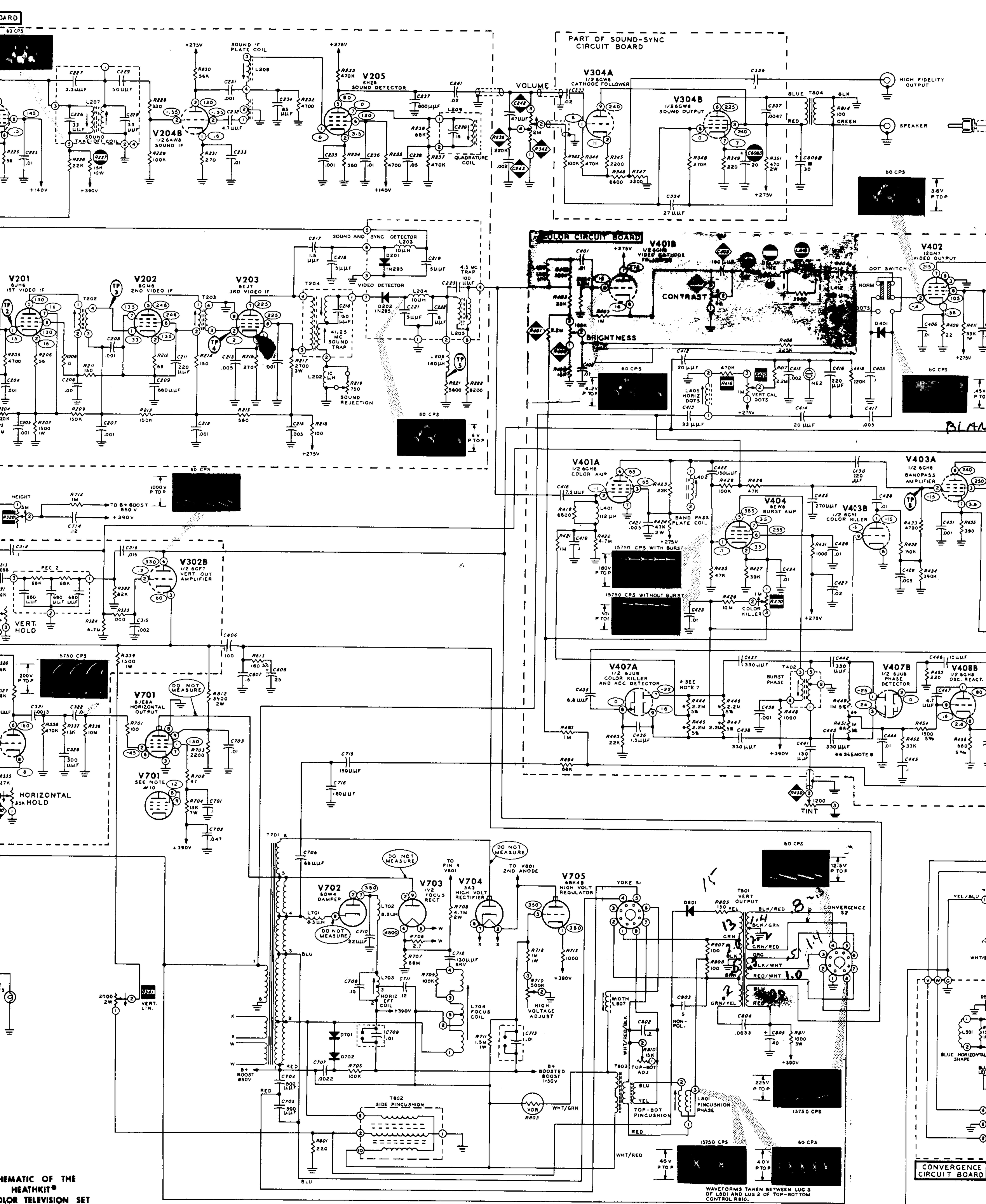


- NOTES:
- THE CIRCUIT PART NUMBERS FOR THE COMPONENTS ARE IN THE FOLLOWING GROUPS:
 - 0-99 PARTS IN UHF TUNER.
 - 100-199 PARTS IN VHF TUNER.
 - 200-299 PARTS ON IF CIRCUIT BOARD.
 - 300-399 PARTS ON SOUND-SYNC CIRCUIT BOARD.
 - 400-499 PARTS ON COLOR CIRCUIT BOARD.
 - 500-599 PARTS ON CONVERGENCE CIRCUIT BOARD.
 - 600-699 PARTS IN LOW VOLTAGE POWER SUPPLY (MOUNTED ON CHASSIS).
 - 700-799 PARTS ON HORIZONTAL OUTPUT ASSEMBLY.
 - 800-899 PARTS MOUNTED ON CHASSIS.

- A SYMBOL AROUND A PART NUMBER MEANS THAT THIS PART IS MOUNTED AT A LOCATION OTHER THAN INDICATED BY THE PART NUMBER.
- PARTS MOUNTED ON THE CHASSIS.
 - ◊ PARTS MOUNTED ON THE TUNER BRACKET.
 - PARTS MOUNTED ON THE CONVERGENCE BRACKET.

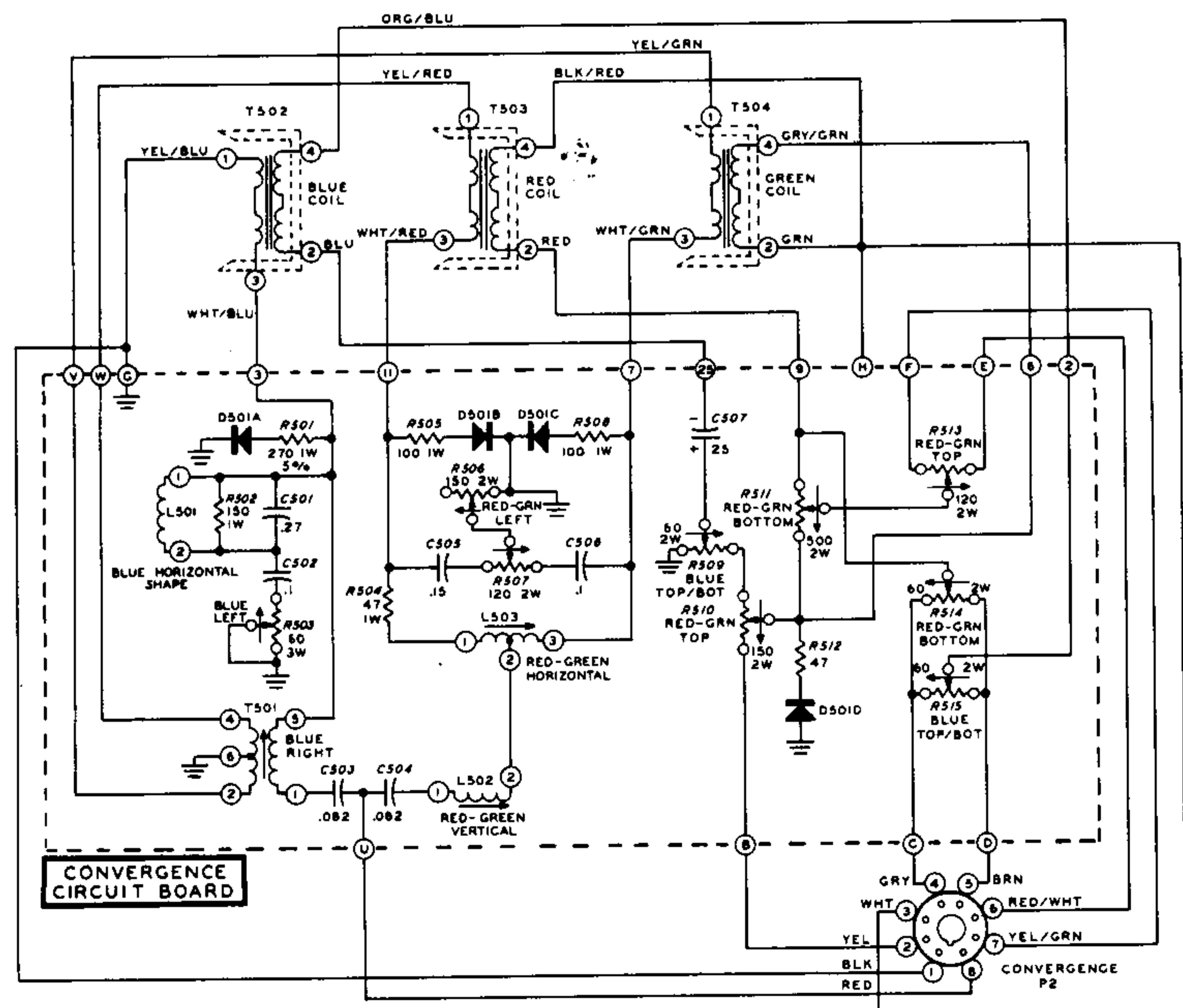
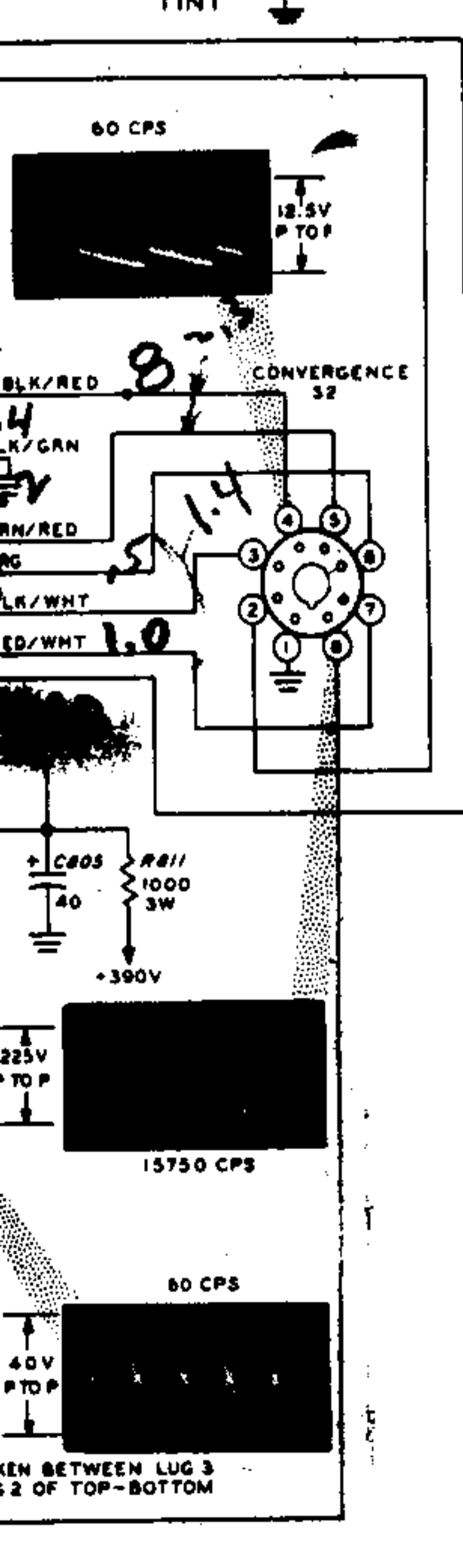
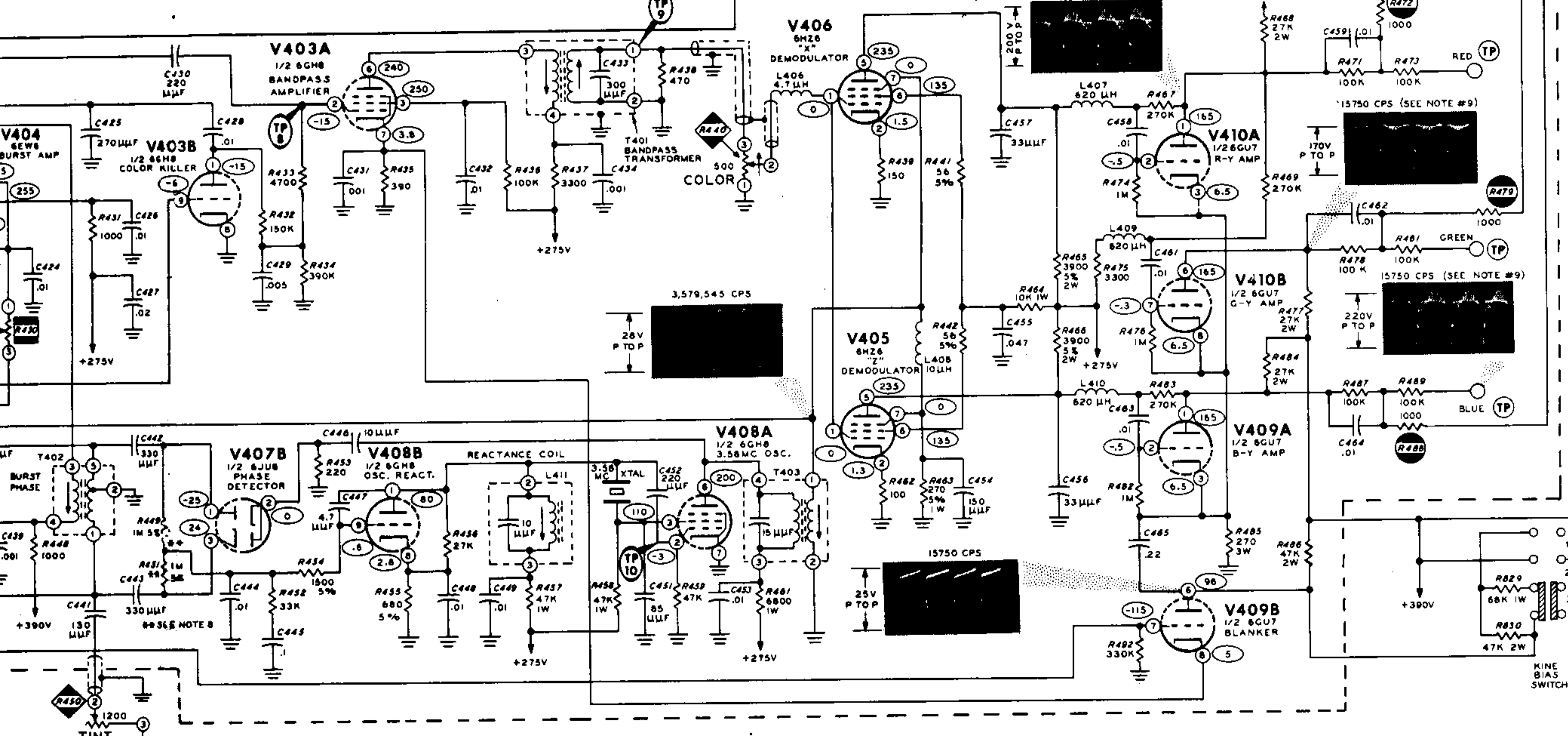
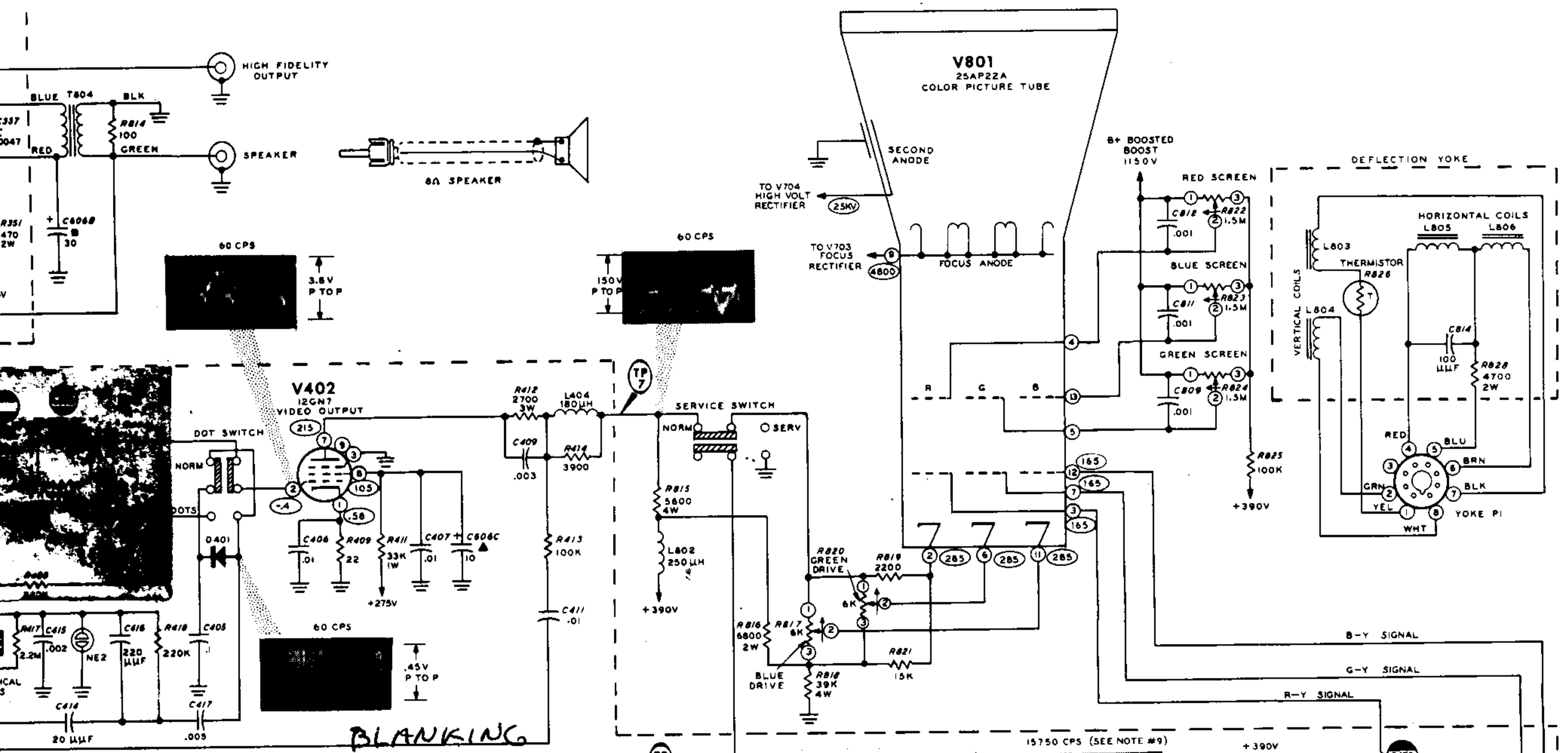
- ALL RESISTORS ARE 1/2 WATT UNLESS MARKED OTHERWISE. RESISTOR VALUES ARE IN OHMS (K = 1,000, M = 1,000,000).
- ALL CAPACITOR VALUES ARE IN μ F UNLESS MARKED OTHERWISE.
- THIS SYMBOL INDICATES A DC VOLTAGE MEASUREMENT, TAKEN WITH AN 11 MEGOHM VTM, FROM THE POINT INDICATED TO CHASSIS GROUND. VOLTAGES ARE POSITIVE UNLESS INDICATED OTHERWISE. VOLTAGES MAY VARY $\pm 10\%$.
- VOLTAGE MEASUREMENTS WERE MADE WITH NO SIGNAL INPUT AND AT 180 V AC LINE VOLTAGE.
- ARROW (—) INDICATES CLOCKWISE ROTATION OF CONTROLS.
- THE 2.2 MEGOHM RESISTORS R444, R445, R446 AND R447 ARE MATCHED LOW-NOISE RESISTORS.
- THE 1 MEGOHM RESISTORS R449 AND R451 ARE MATCHED LOW-NOISE RESISTORS.
- WAVEFORMS WERE TAKEN USING HEATH COIL SOUND BAR AND DOT GENERATOR.
- ALTERNATE WIRING OF SOCKET V701 TO REDUCE BARKHAUSEN INTERFERENCE. REFER TO TROUBLESHOOTING CHART, FIGURE 3-29 ON PAGE 110.
- REFER TO THE CHASSIS PHOTOGRAPHS AND CIRCUIT BOARD X-RAY VIEWS FOR THE PHYSICAL LOCATION OF PARTS.

**SCHEMATIC OF THE
HEATHKIT®
25" COLOR TELEVISION SET
MODEL GR-25**

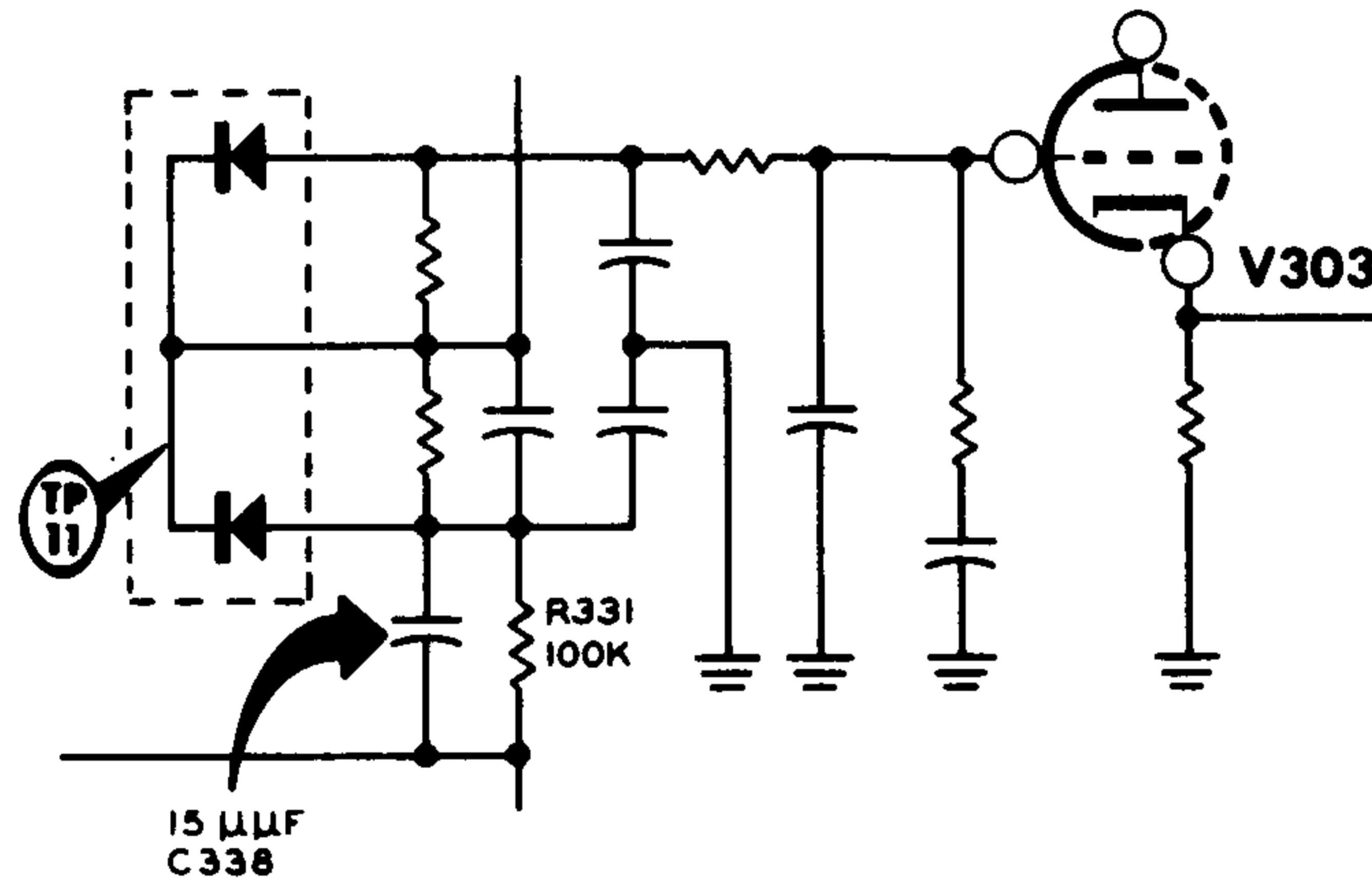


HEATHKIT MODEL GR-25 COLOR TELEVISION SET

CONVERGENCE CIRCUIT BOARD



Page 175 - Locate resistor R331 on the fold-out Schematic. This resistor is to the left of and just below horizontal oscillator tube V303. Draw a 15 $\mu\mu\text{f}$ capacitor in parallel with this resistor as shown below. This change and the following change should also be made on the large fold-in schematic.

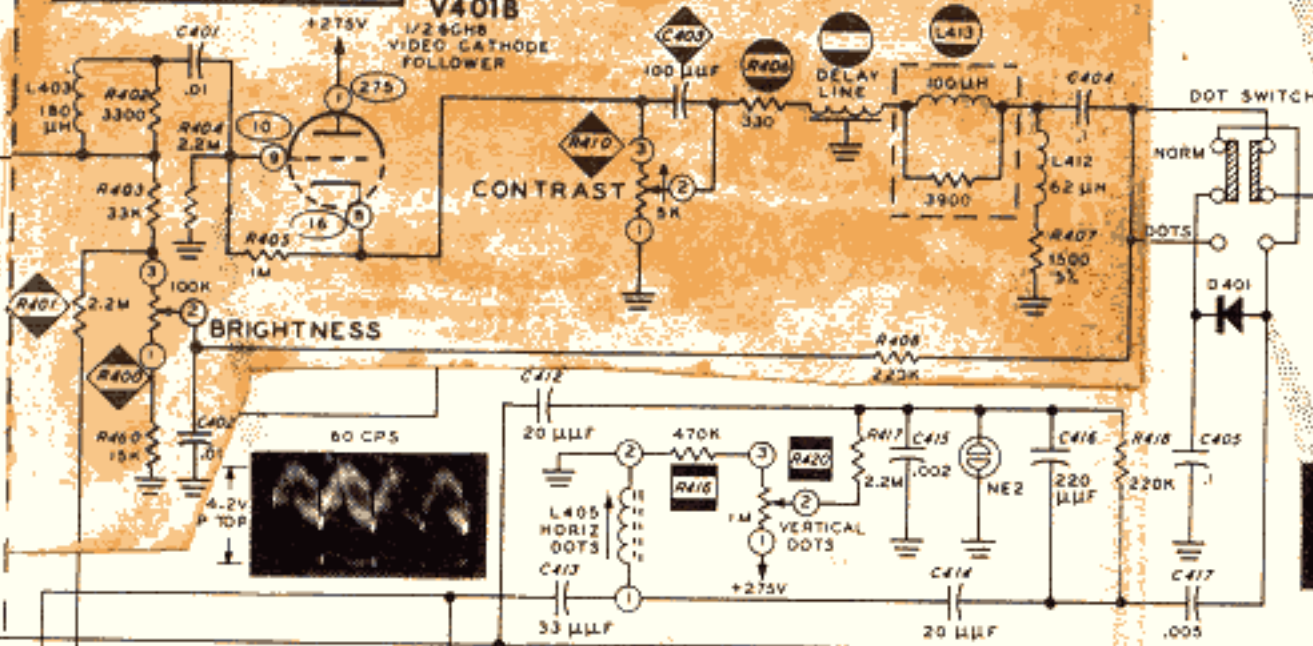


Tape the following schematic section in place near V401B on the fold-out Schematic (Page 175). Be sure to match up the connecting lines.

COLOR CIRCUIT BOARD

V401B

1/2 6GH8
VIDEO CATHODE
FOLLOWER



V401A

1/2 6GH8

C422