





SCHEMATIC OF THE 7-DAY INTELLIGENT HOME COMFORT CONTROL MODEL NE-1211

NOTES:

1. RESISTOR VALUES ARE IN OHMS (K=1000).
2. ALL RESISTORS ARE 1/4WATT, 5% TOLERANCE UNLESS SPECIFIED OTHERWISE.
3. CAPACITOR VALUES LESS THAN 1 ARE μ F (MICROFARADS), VALUES OF 1 OR HIGHER ARE pF (PICOFARADS) UNLESS MARKED OTHERWISE.
4.  THIS SYMBOL INDICATES A CIRCUIT BOARD GROUND.
5.  THIS SYMBOL DENOTES A CIRCUIT BOARD CONNECTION.
6.  INDICATES A VOLTAGE WHEN THE HEATING AND/OR COOLING SYSTEM IS TURNED OFF.
7.  INDICATES A VOLTAGE WHEN THE HEATING AND/OR COOLING SYSTEM IS TURNED ON.

NOTE: ALL VOLTAGES WERE MEASURED AT NOMINAL BATTERY VOLTAGE (9VDC) WITH A 30 M Ω (OR HIGHER) INPUT IMPEDENCE DC VOLTMETER FROM THE POINT INDICATED TO THE NEGATIVE (-) SIDE OF THE BATTERY.

Part of 595-3109-01

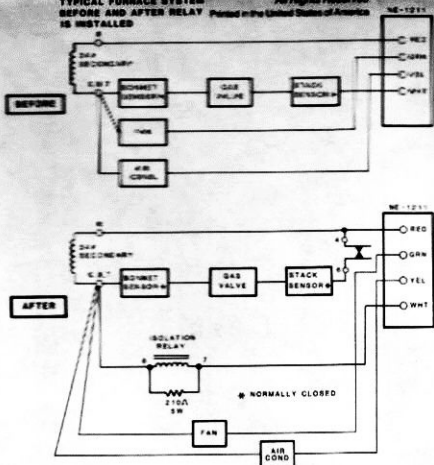
Copyright © 1984

Heath Company

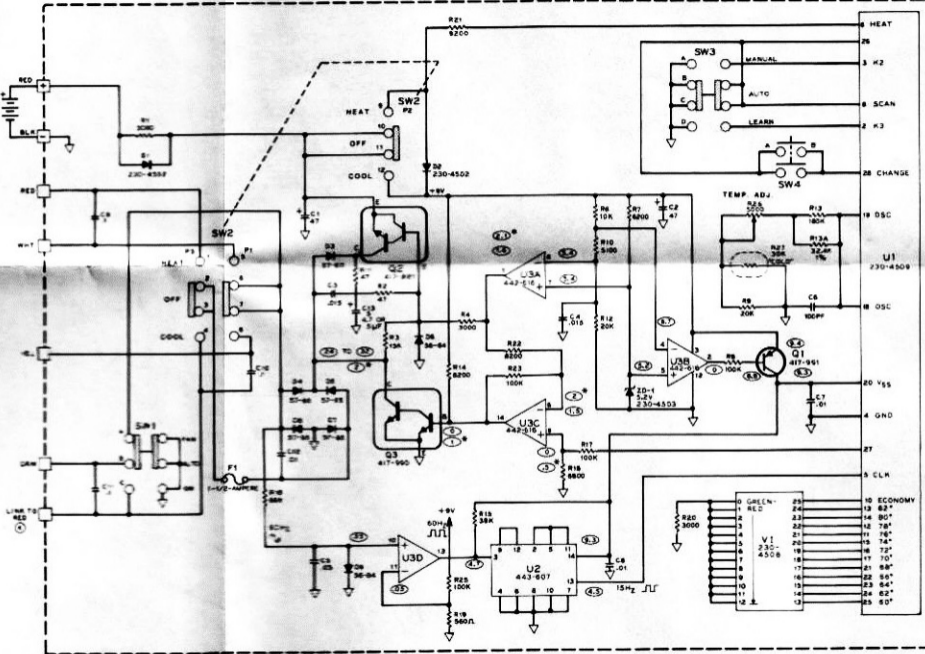
All Rights Reserved

Printed in the United States of America

TYPICAL FURNACE SYSTEM BEFORE AND AFTER RELAY IS INSTALLED



9 VOLT DC BATTERY



U1
230-4509

U2
443-507

U3C
442-216

U3A
442-216

V1
230-4508

- 10 ECONOMY
- 13 82°
- 14 90°
- 12 78°
- 11 76°
- 15 74°
- 16 72°
- 17 70°
- 18 68°
- 19 66°
- 22 56°
- 23 54°
- 24 52°
- 25 50°

- 6 HEAT
- 76
- 3 K2
- 8 SCAN
- 2 K3
- 26 CHANGE
- 19 DSC
- 18 OSC
- 20 VSS
- 4 GND
- 27
- 5 CLK