

THE FOLLOWING GROUPS:

CIRCUIT BOARD.
OF CIRCUIT BOARD.

OTHERWISE, RESISTOR

VALUES OF 1 AND

VOLTAGE MEASUREMENT,
ER, FROM THE POINT
Y VARY ±20%.

INTEGRATED CIRCUITS
SCHEMATIC.

ERN SWITCH IN COLOR
ED FULLY CLOCKWISE,

CUIT BOARD X-RAY VIEWS

OR BAR POSITION FOR

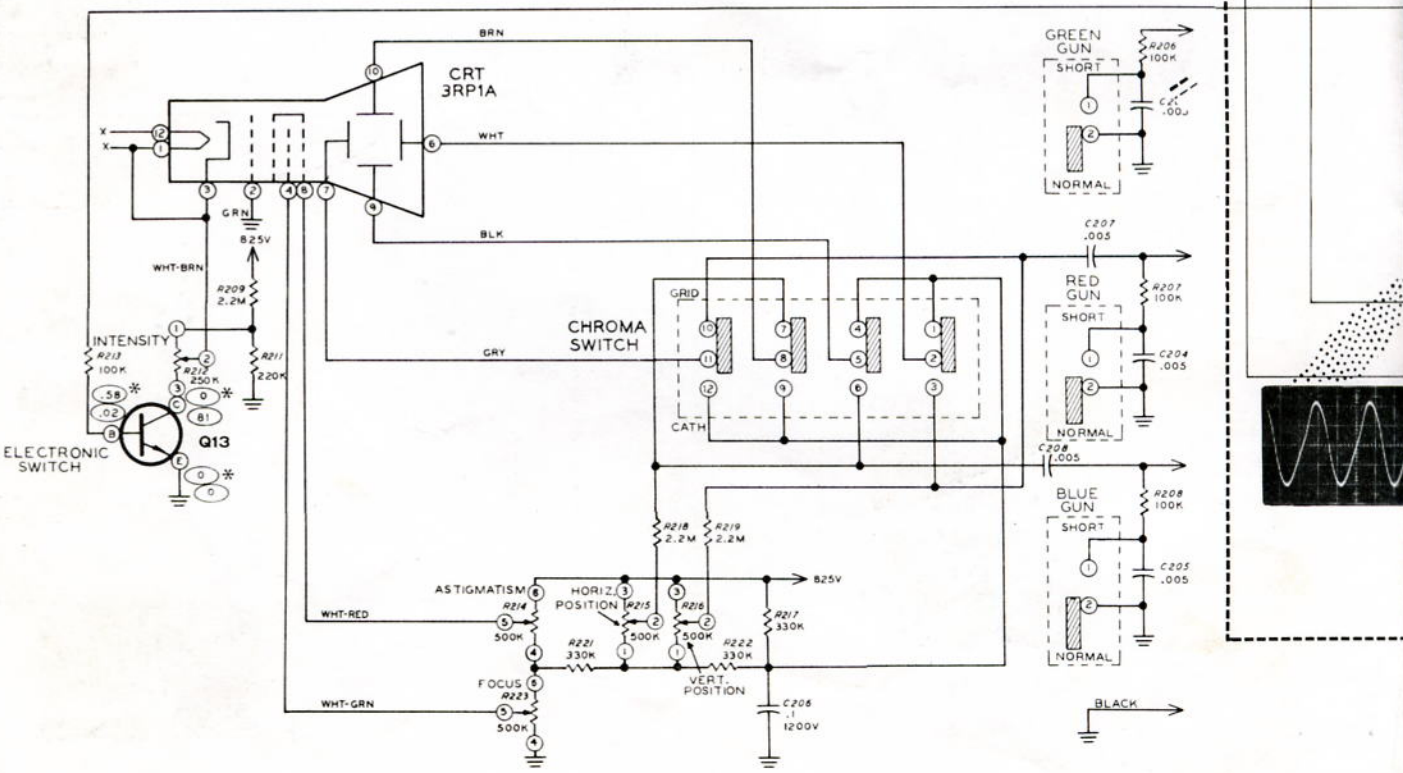
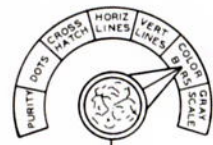
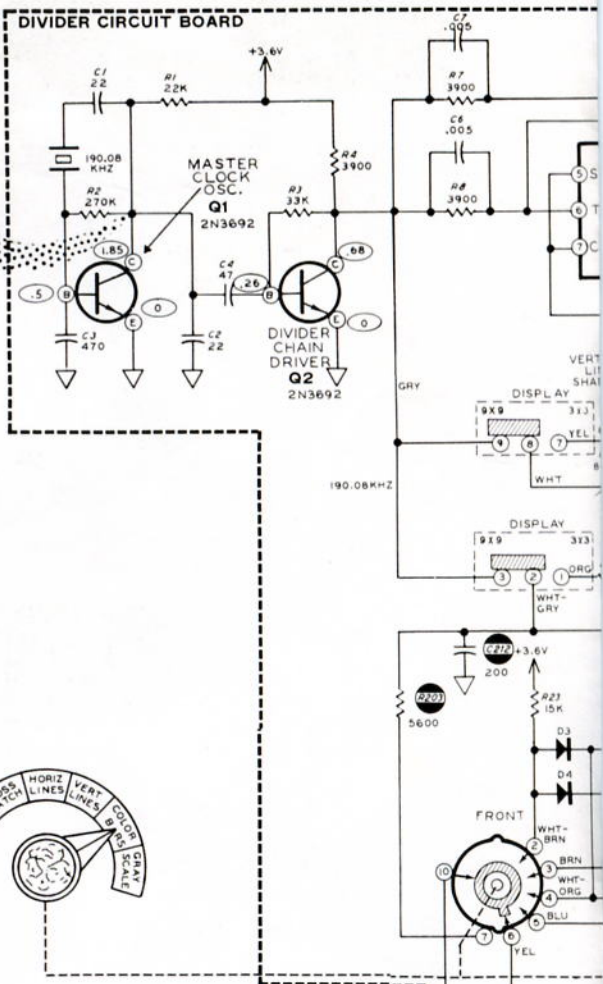
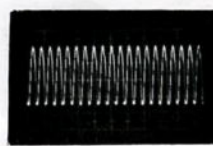
OR BAR POSITION AND THE
VOLTAGES.

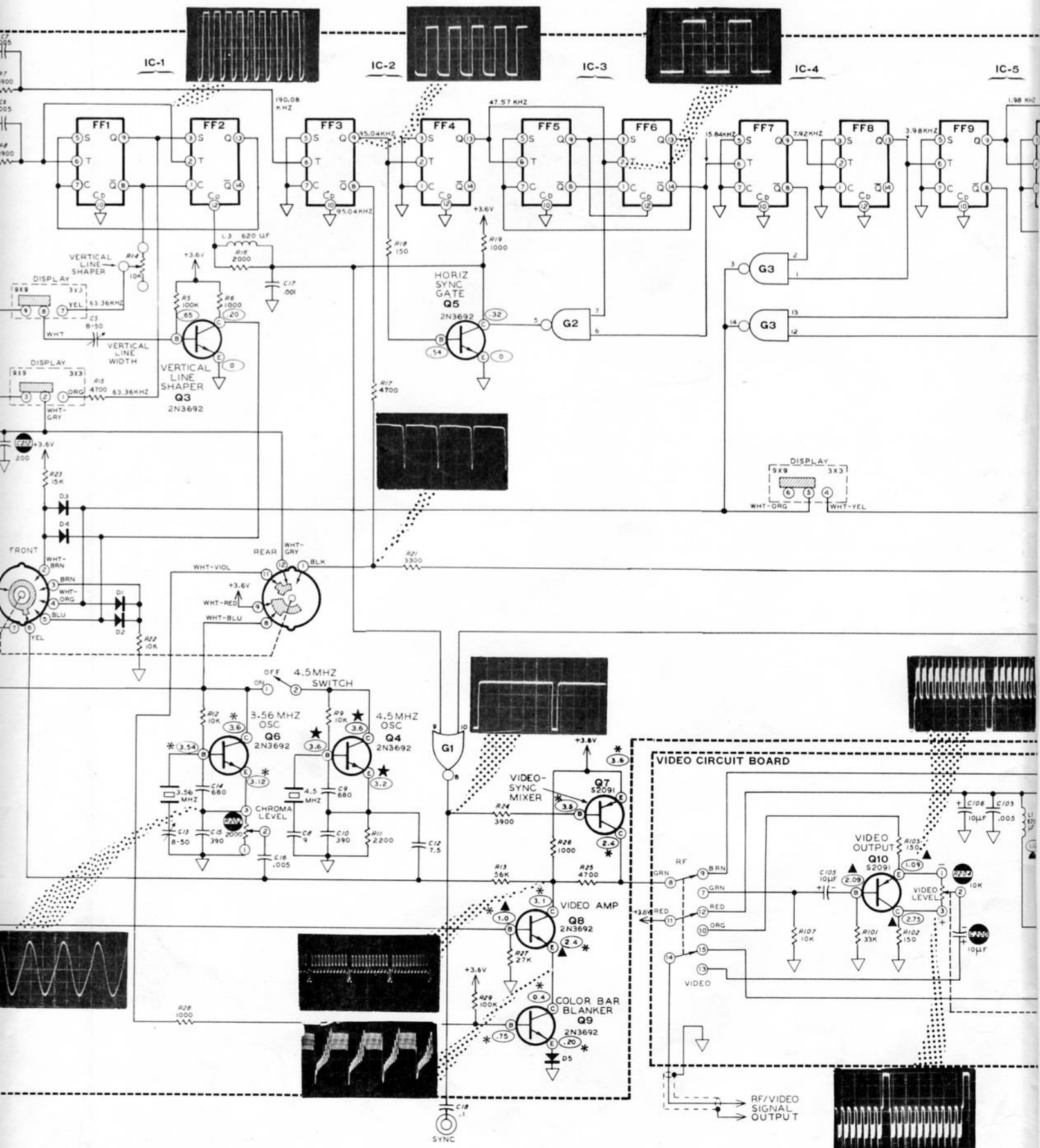
EO POSITION TO OBTAIN

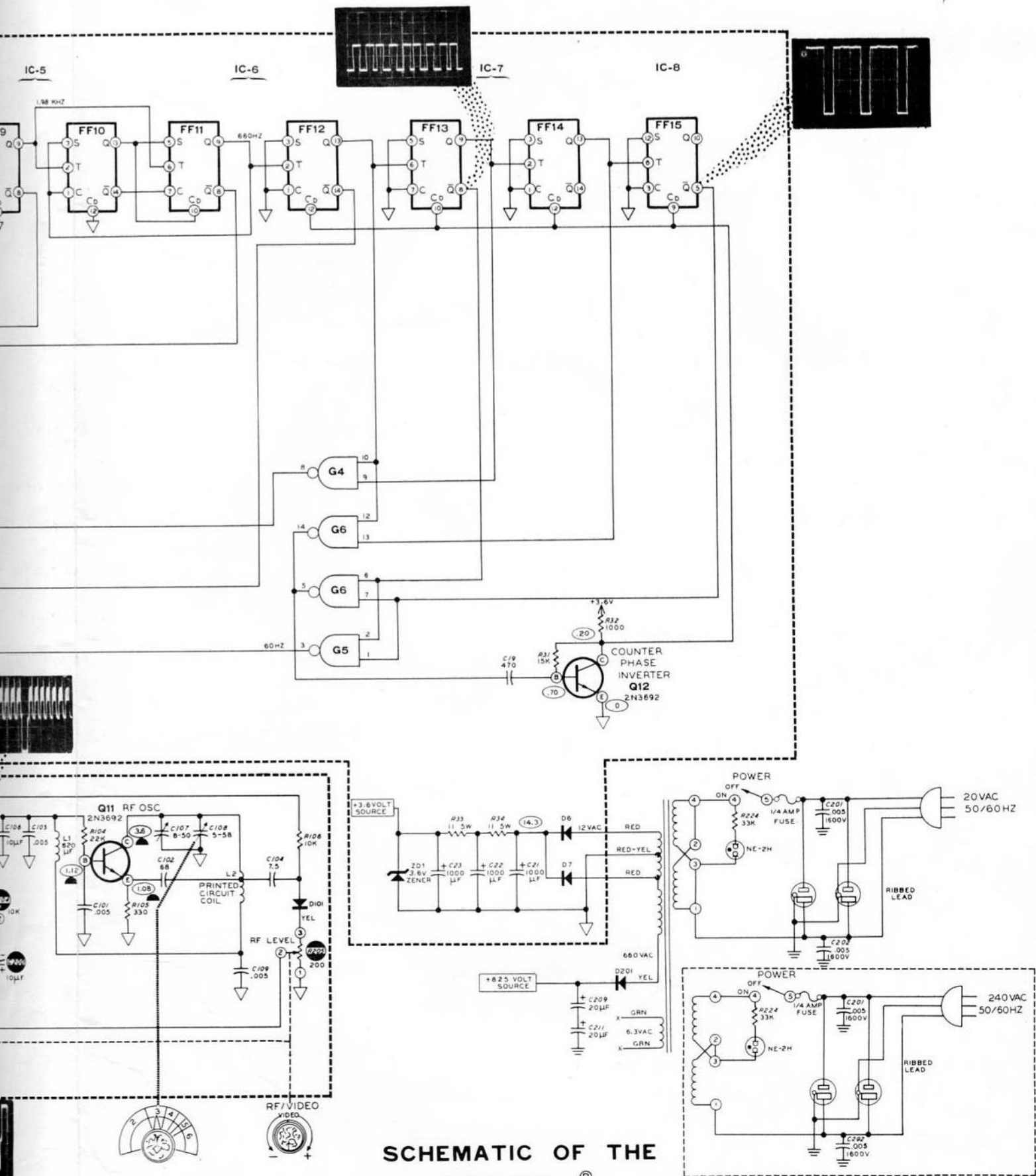
POSITION TO OBTAIN THESE

COMMON.

D.
D ON THE CHASSIS
IC SUGGESTS







**SCHEMATIC OF THE
HEATHKIT®
VECTORSCOPE
MODEL IO-101**