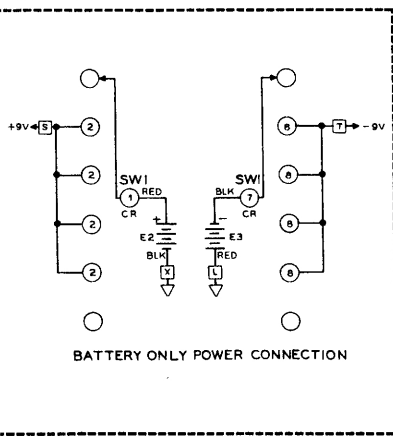
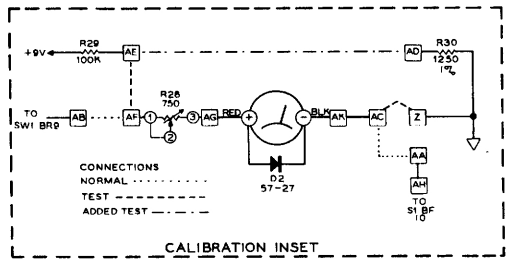
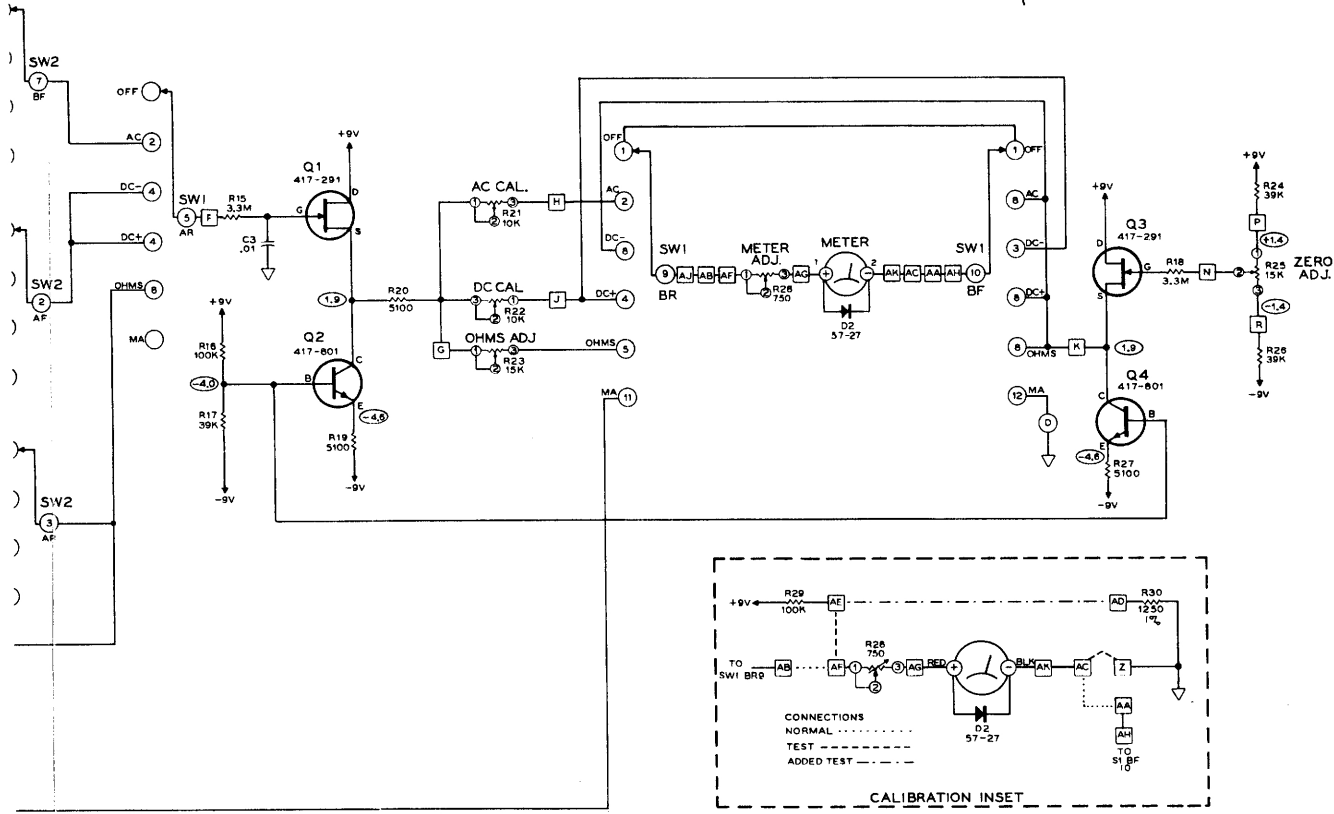
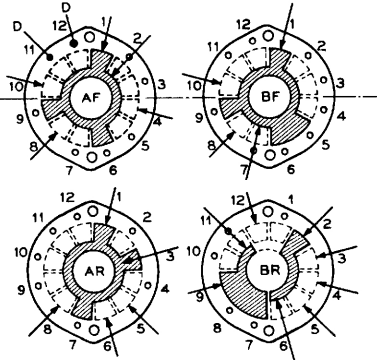
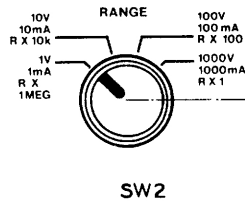
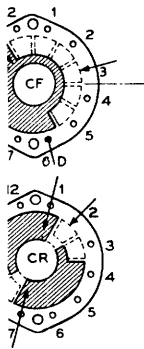


- NOTES:
1. ALL 1% RESISTOR: ALL OTHER RESIS<sup>T</sup> NOTED.
  2. RESISTOR VALUES
  3. CAPACITOR VALU
  4. ▽ DENOTES CIRC
  5. ○ DENOTES A DC INDICATED TO
- A. RANGE SWI  
 B. FUNCTION  
 C. INPUT SHO  
 D. MEASUREMENT VOLTME<sup>T</sup>
6. □ DENOTES A CI
  7. ○ DENOTES OTH
  8. SWITCHES ARE S DENOTES DUMMY



- NOTES:
- ALL 1% RESISTORS ARE 1/4 WATT UNLESS OTHERWISE NOTED. ALL OTHER RESISTORS (5%) ARE 1/2 WATT UNLESS OTHERWISE NOTED.
  - RESISTOR VALUES ARE IN OHMS (K=1,000, M=1,000,000).
  - CAPACITOR VALUES ARE IN  $\mu$ F.
  - $\nabla$  DENOTES CIRCUIT GROUND.
  - $\odot$  DENOTES A DC VOLTAGE MEASURED FROM THE POINT INDICATED TO GROUND WITH THE FOLLOWING CONDITIONS:
    - RANGE SWITCH SET TO 1 VOLT.
    - FUNCTION SWITCH SET TO +DC.
    - INPUT SHORTED.
    - MEASUREMENTS MADE WITH A HIGH IMPEDANCE VOLTMETER.
  - $\square$  DENOTES A CIRCUIT BOARD CONNECTION.
  - $\circ$  DENOTES OTHER CONNECTIONS.
  - SWITCHES ARE SHOWN IN CCW POSITION. "D" ON SWITCHES DENOTES DUMMY LUGS USED FOR ELECTRICAL TIE POINT.

**SCHEMATIC OF THE  
HEATHKIT®  
MULTIMETER  
MODEL IM-5284**

Part of 595-1961-02

Copyright © 1977  
Heath Company  
All Rights Reserved  
Printed in the United States of America