

**SCHEMATIC OF THE
HEATHKIT®**

**AUDIO GENERATOR
MODEL IG-5282**

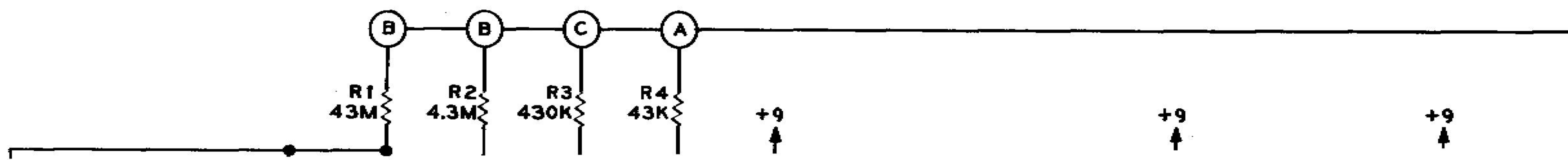
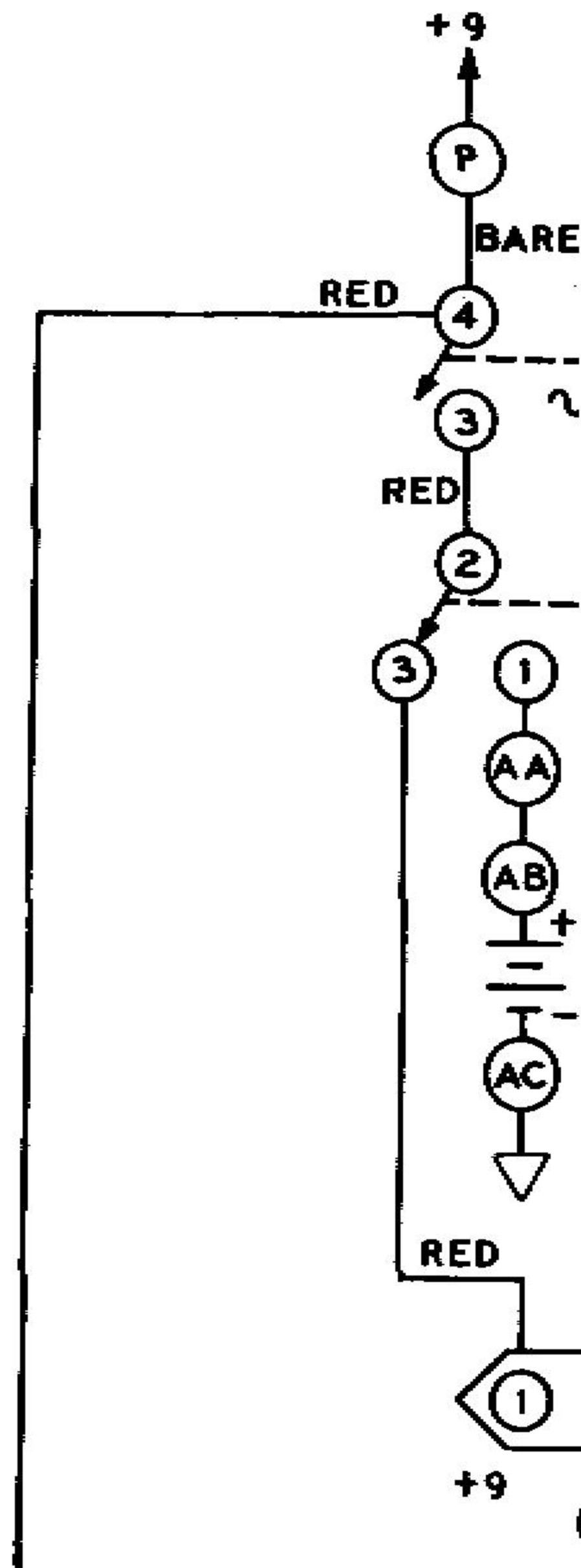
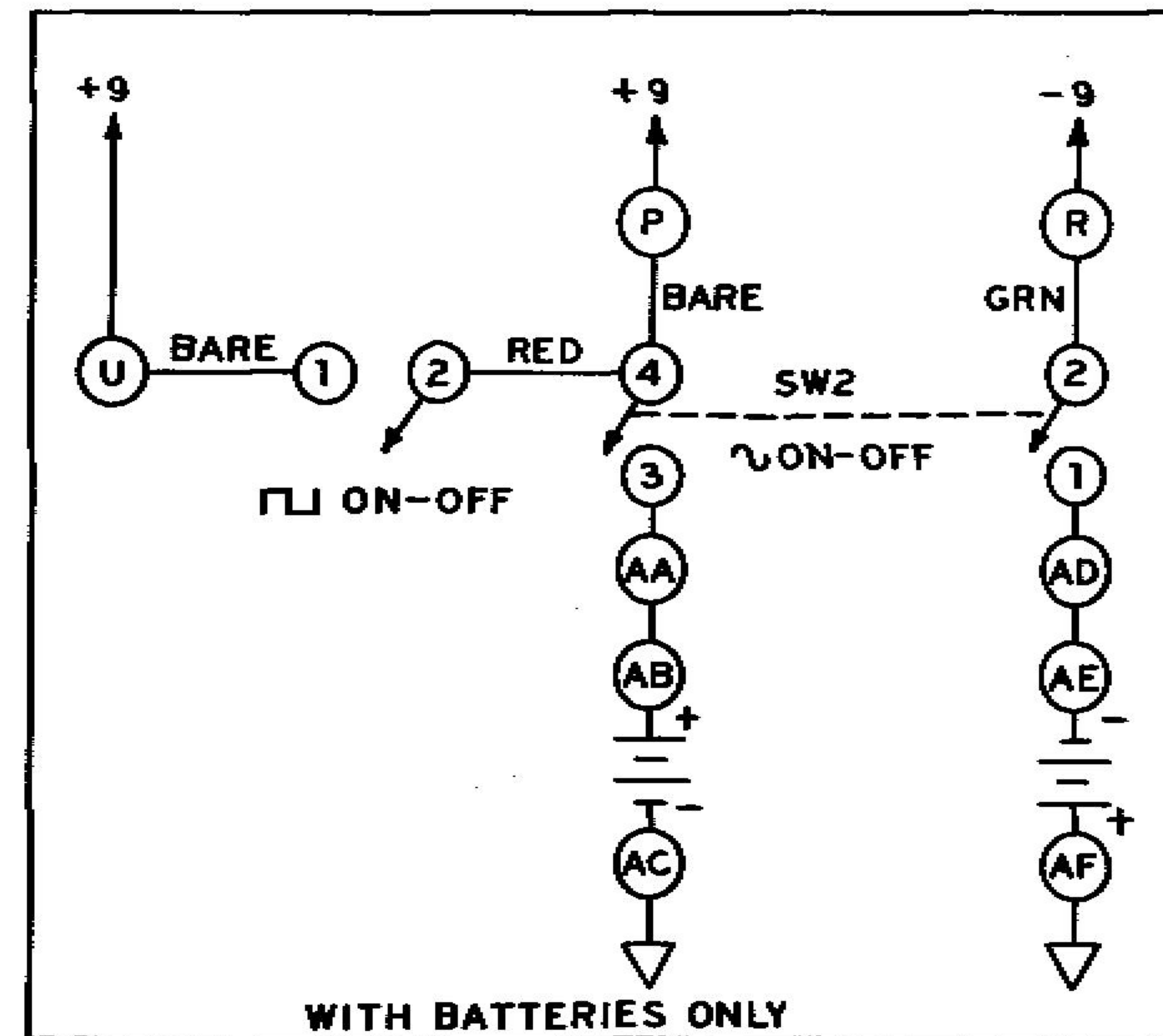
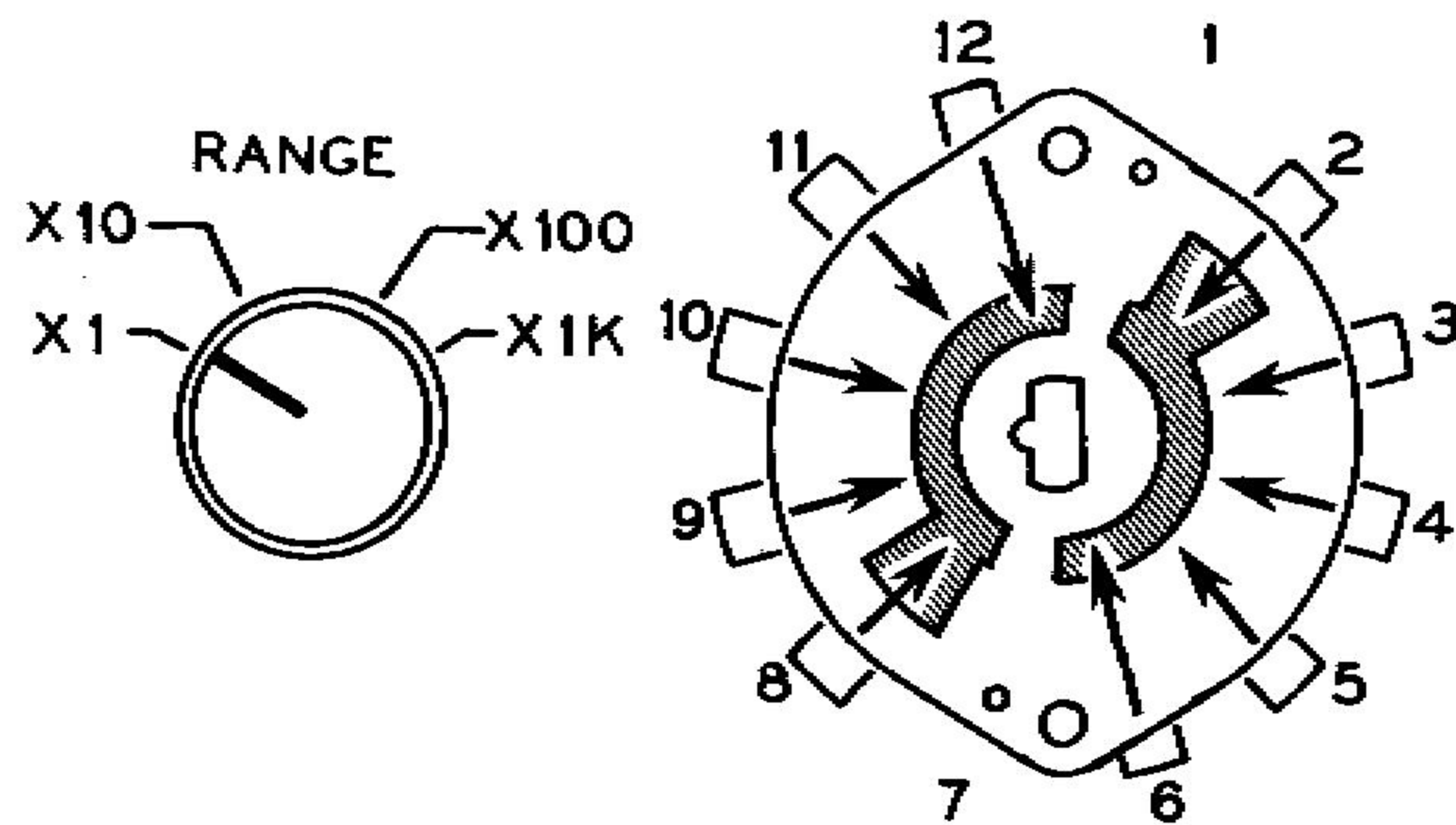
Part of 595-1959

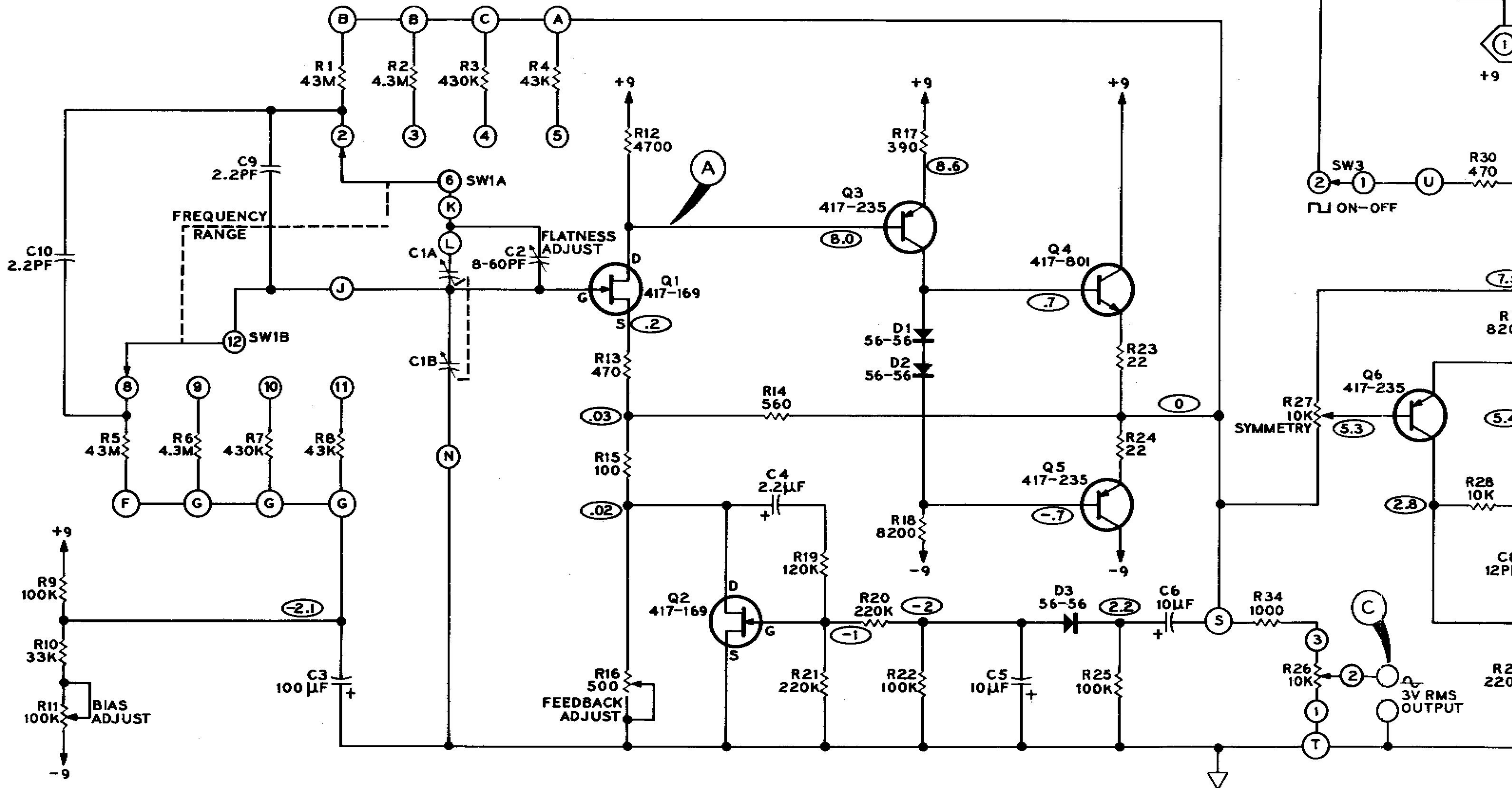
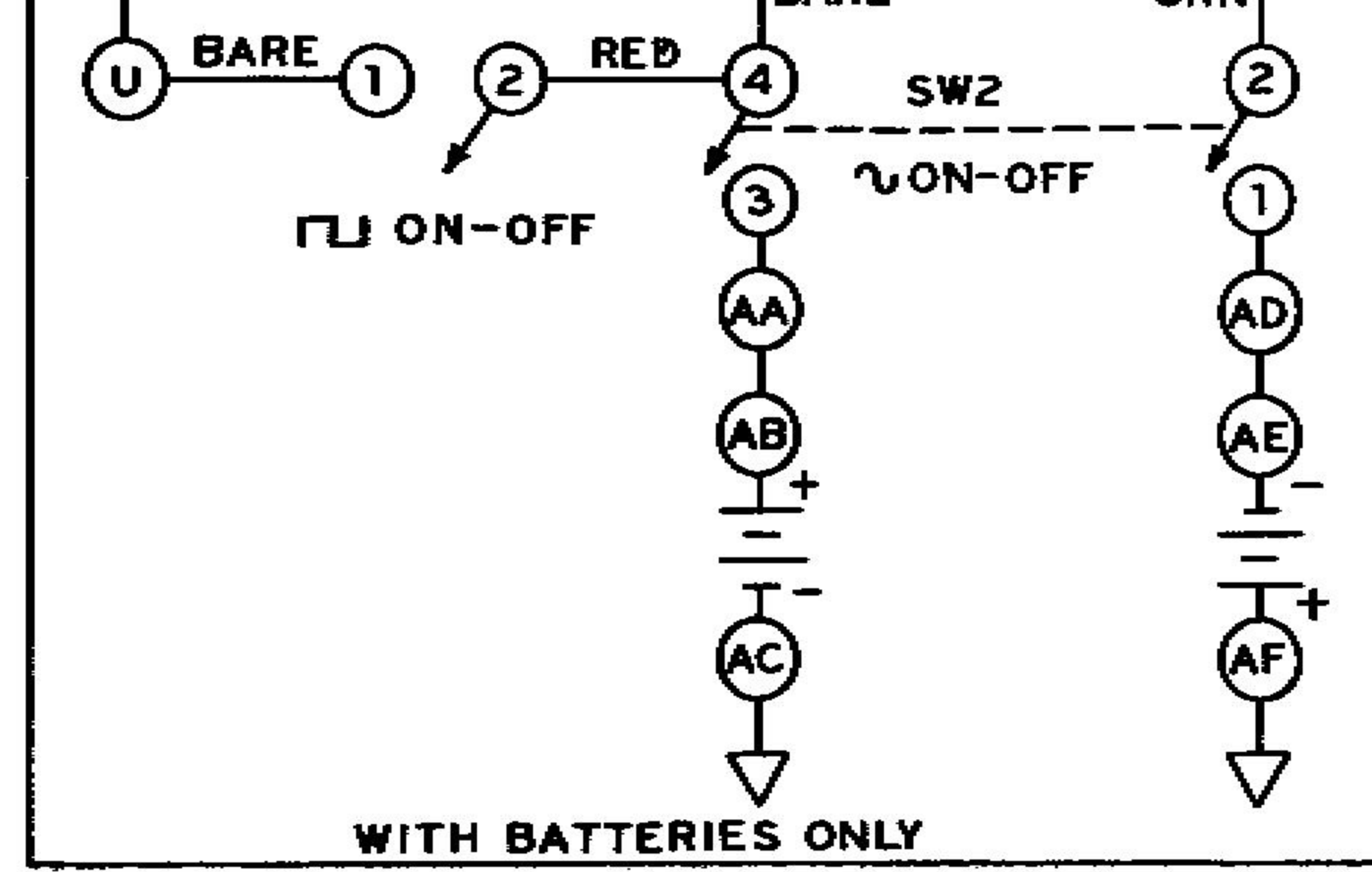
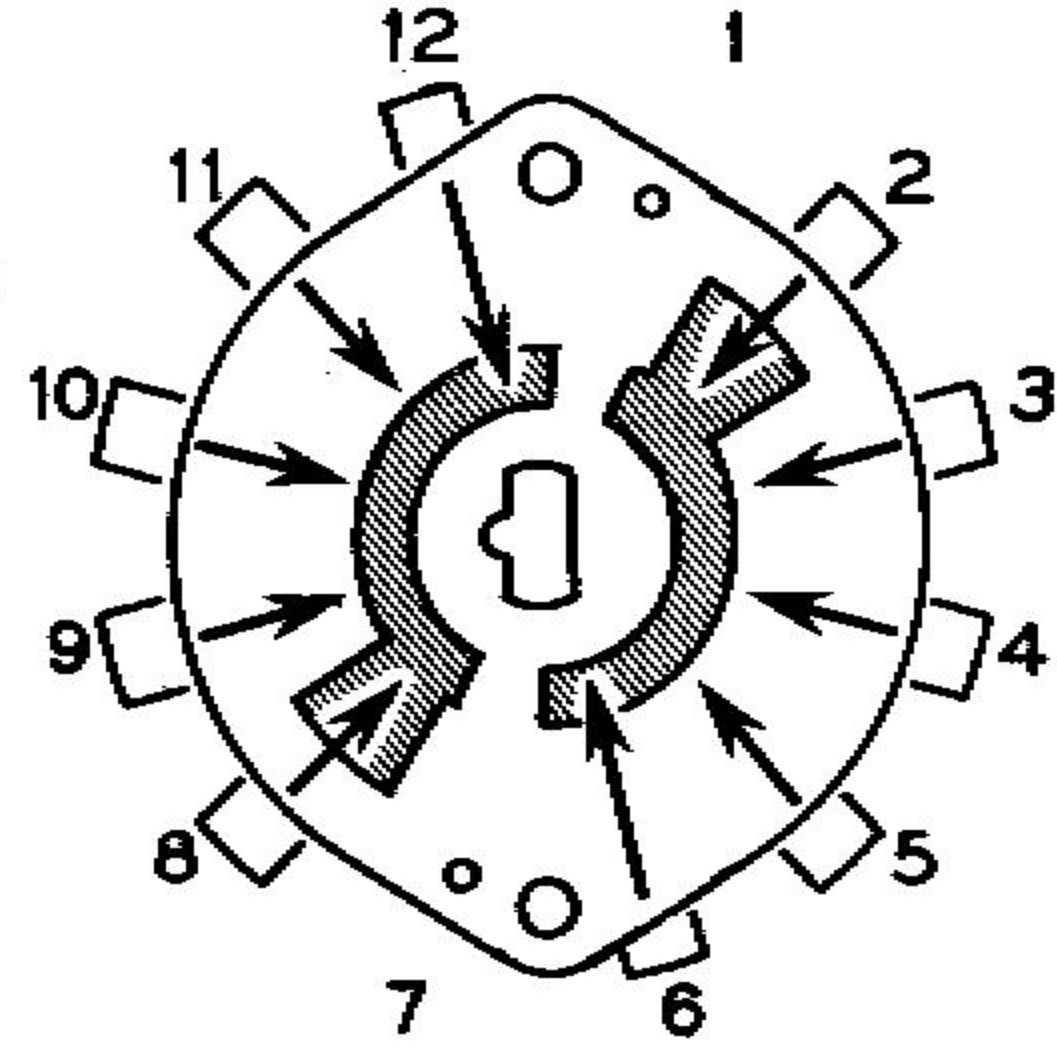
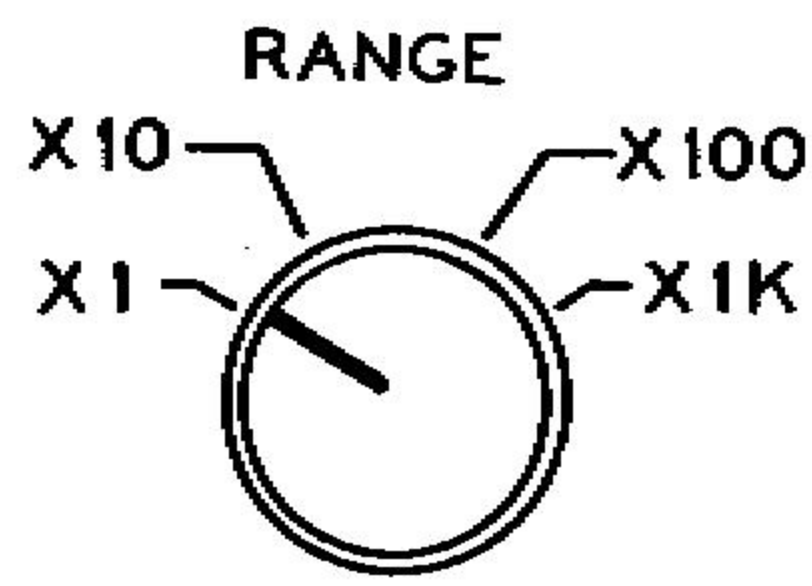
Copyright © 1977
Heath Company
All Rights Reserved
Printed in the United States of America

NOTES:

1. ALL RESISTORS ARE 1/2 WATT 5%.
2. ○ INDICATES A LETTERED WIRE CONNECTION TO A CIRCUIT BOARD.
3. ▽ INDICATES A CIRCUIT GROUND.

4. ○ INDICATES A DC POINT INDICATED TO
5. ALL VOLTAGES MEASU IMPEDANCE VOLTMETI
6. RANGE SWITCH IS ST

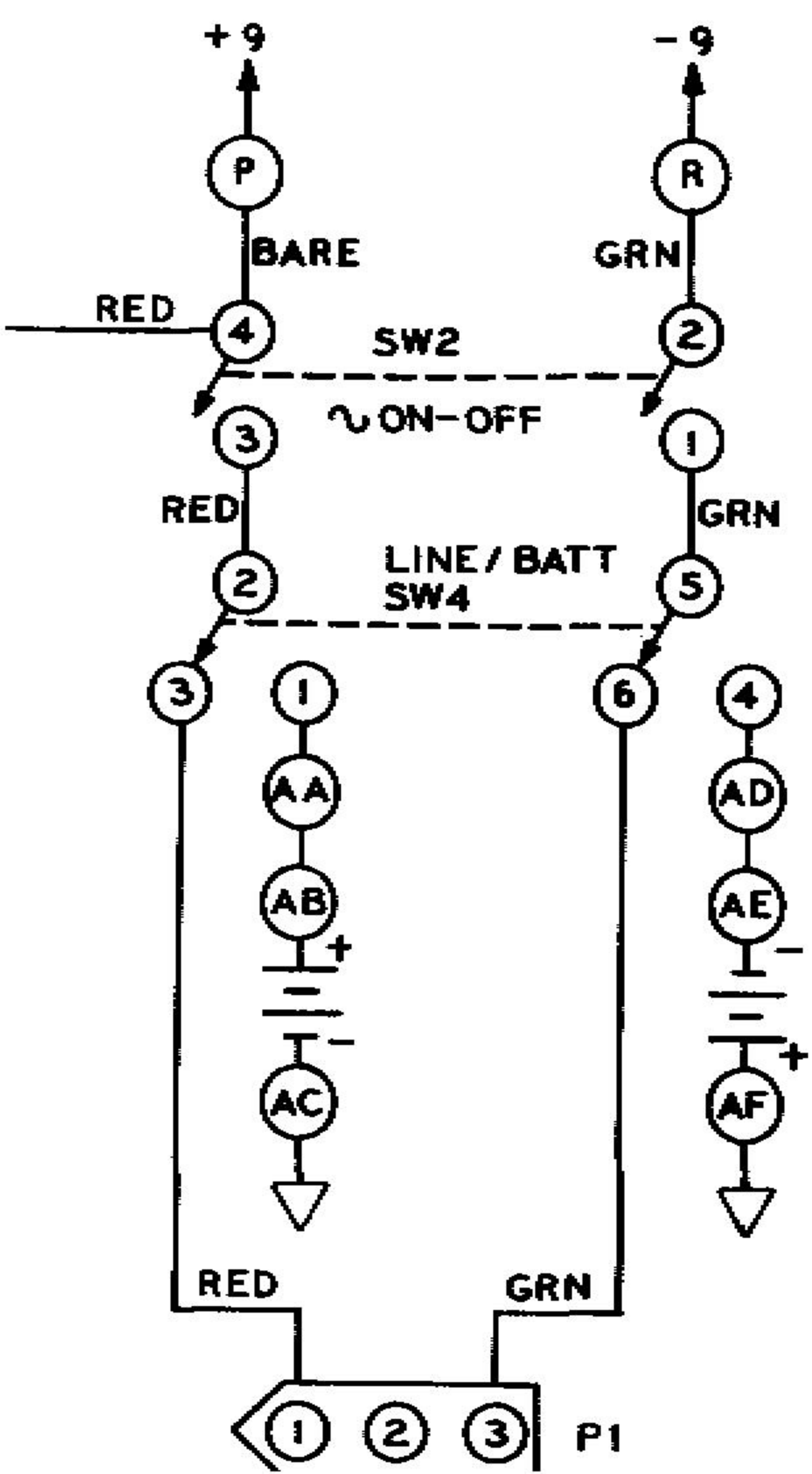




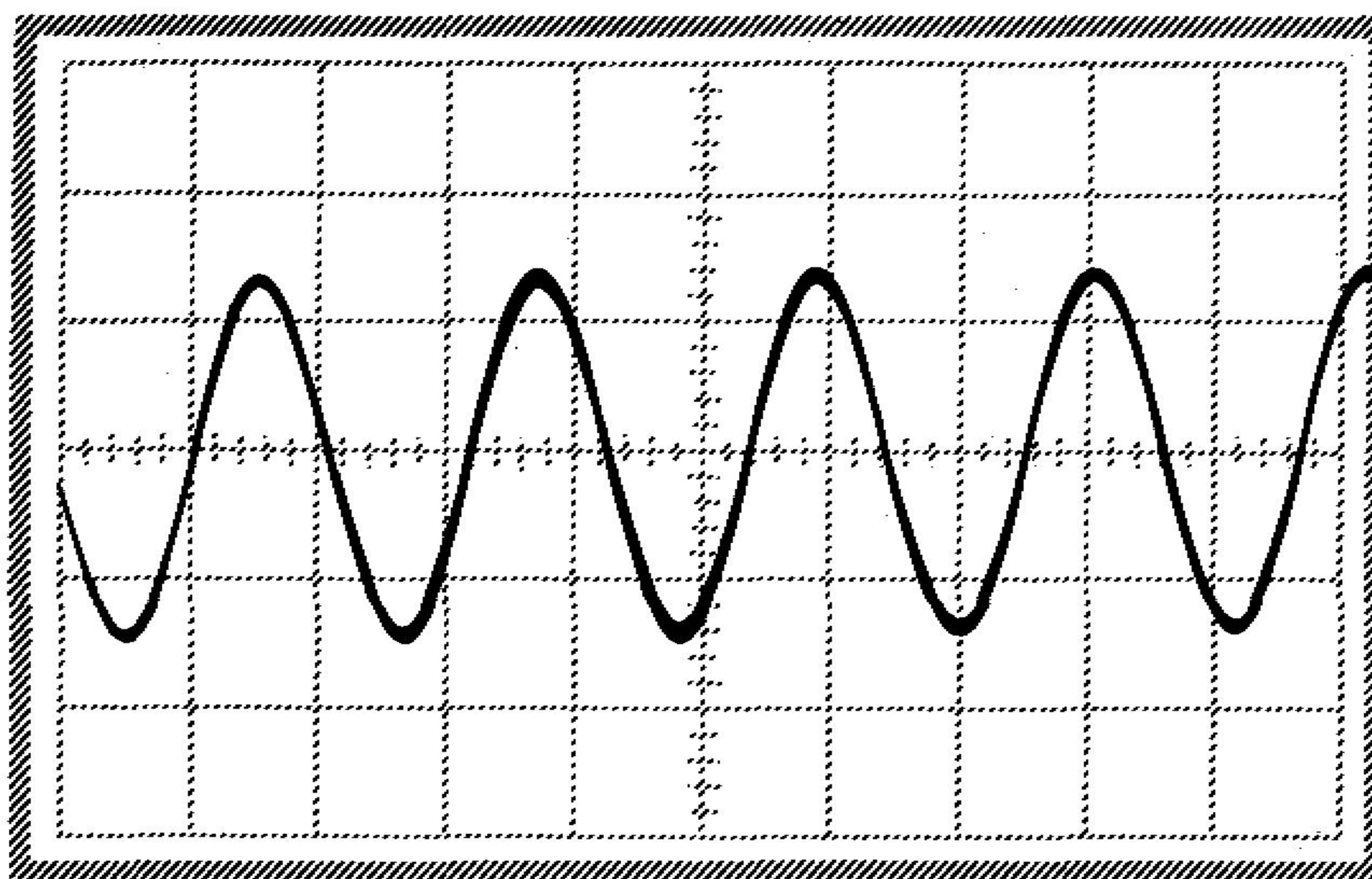
INDICATES A DC VOLTAGE MEASURED FROM
INDICATED TO GROUND.

VOLTAGES MEASURED WITH HIGH INPUT
IMPEDANCE VOLTMETER.

SWITCH IS SHOWN IN X1 POSITION (CCW).

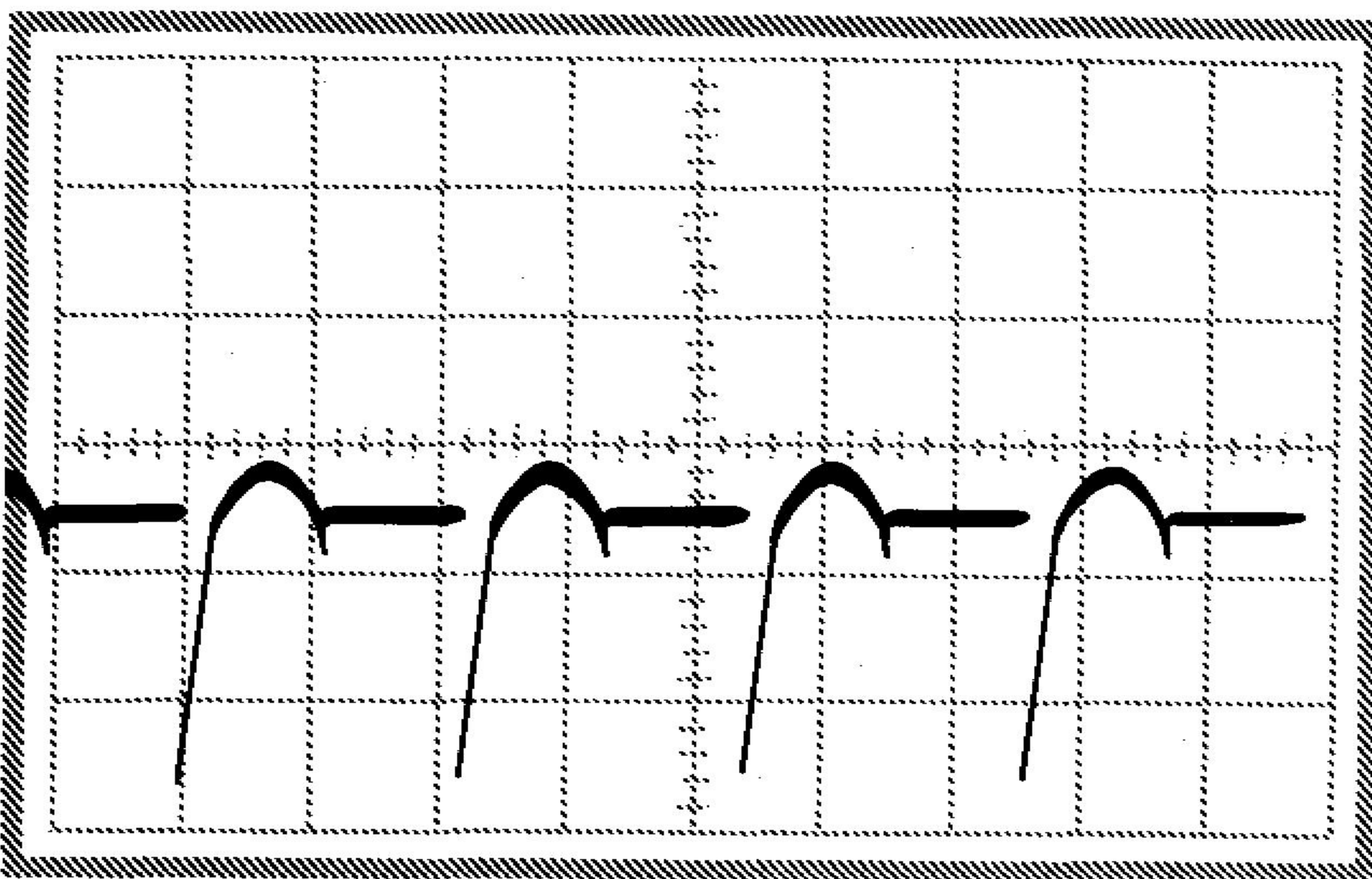


A

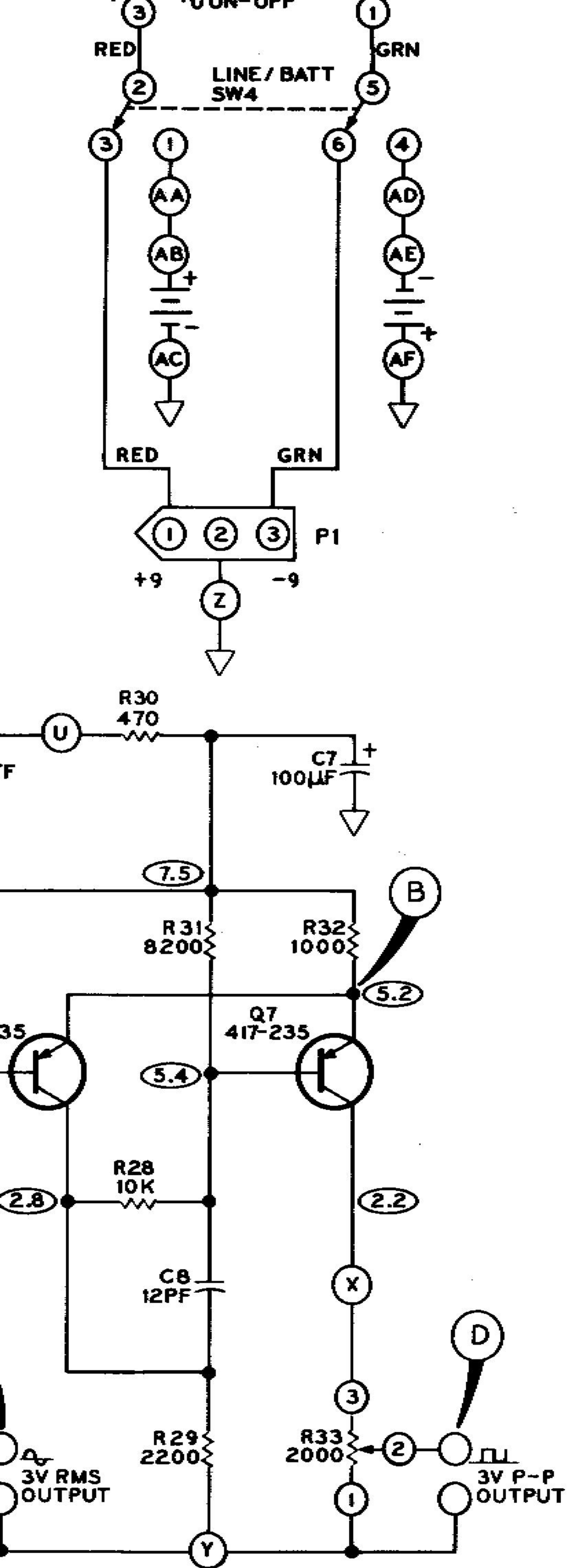


DRAIN OF Q1
VERTICAL - .2V/CM
HORIZ - .5MSEC/CM

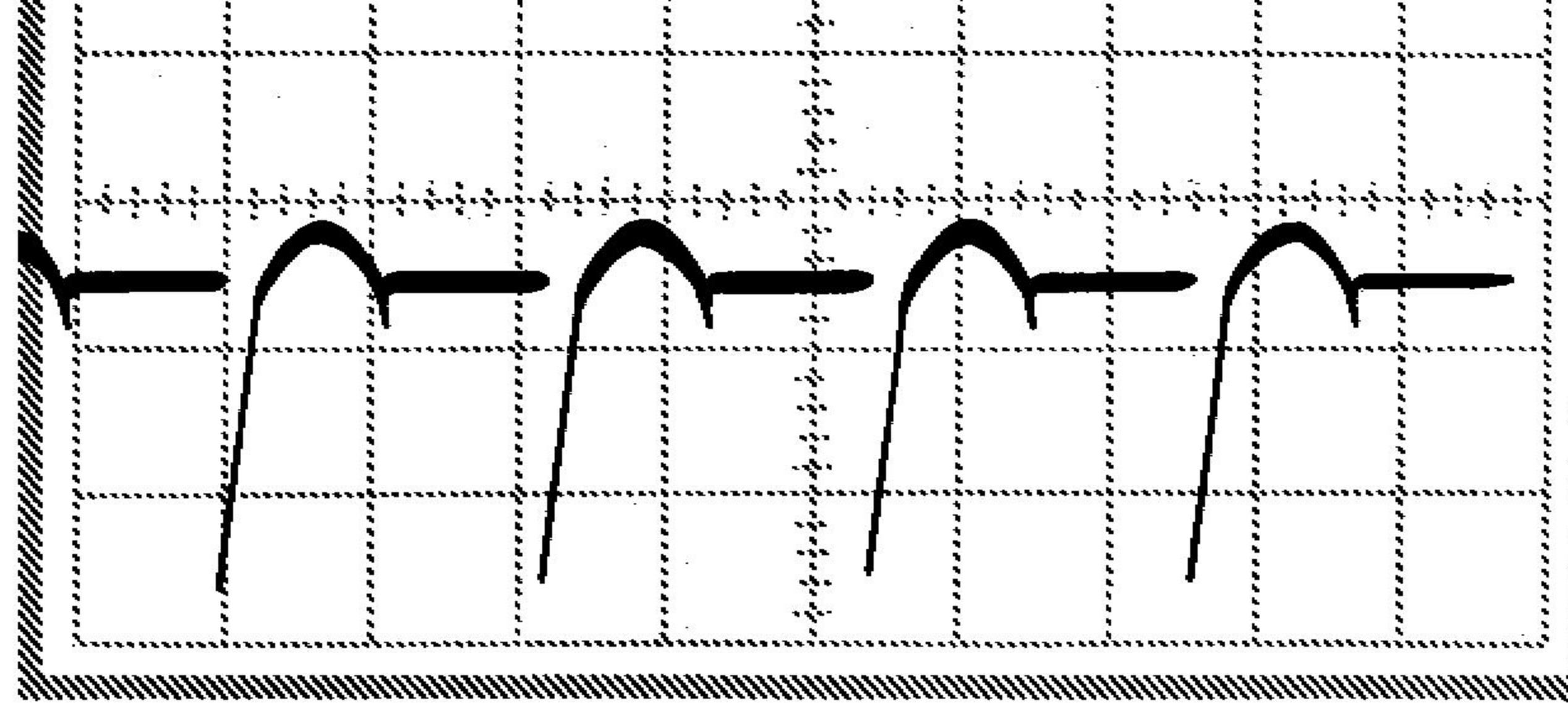
B



EMITTER OF Q6 & Q7
VERTICAL - .5V/CM
HORIZ - .5MSEC/CM

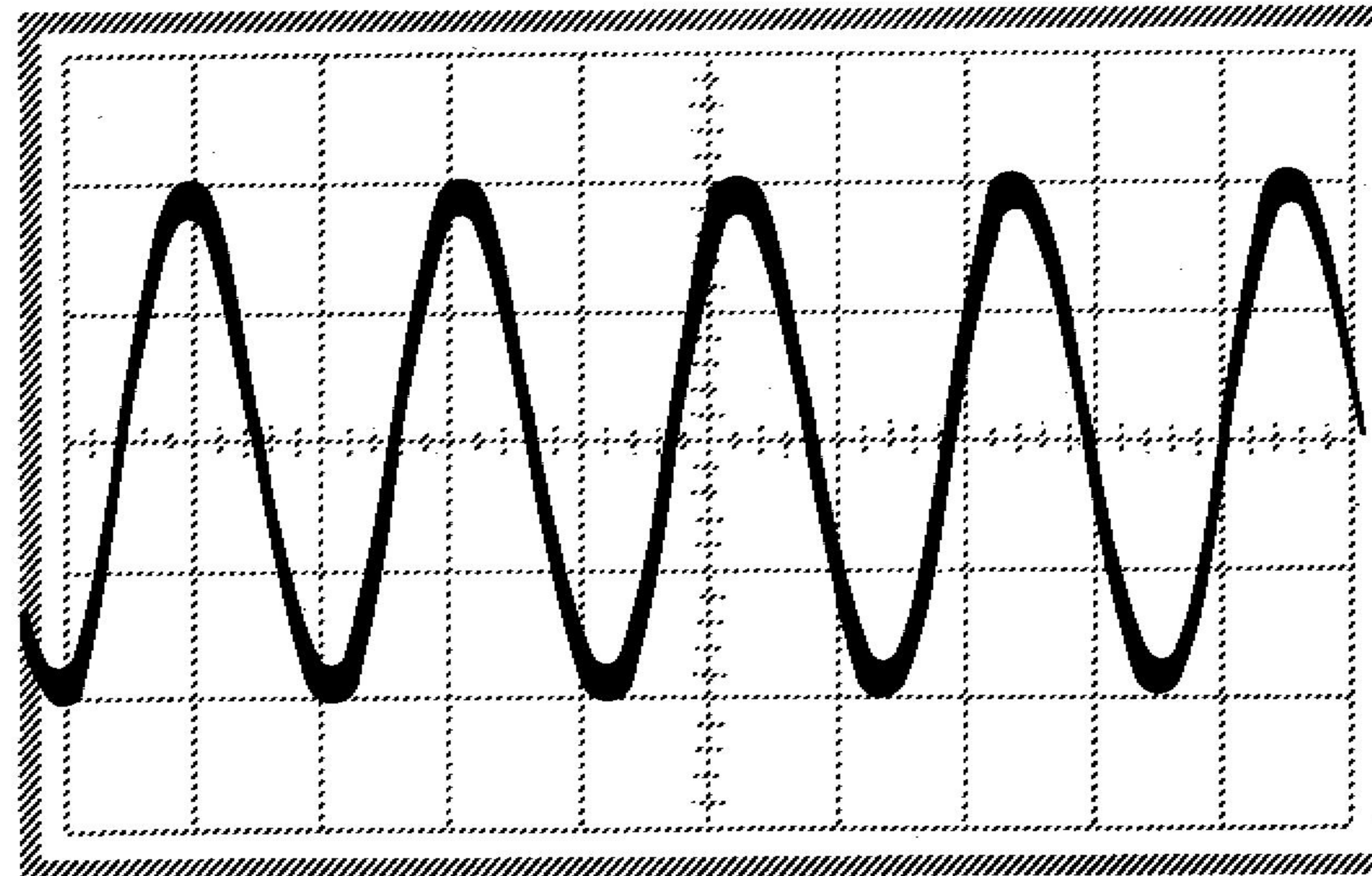


(B)



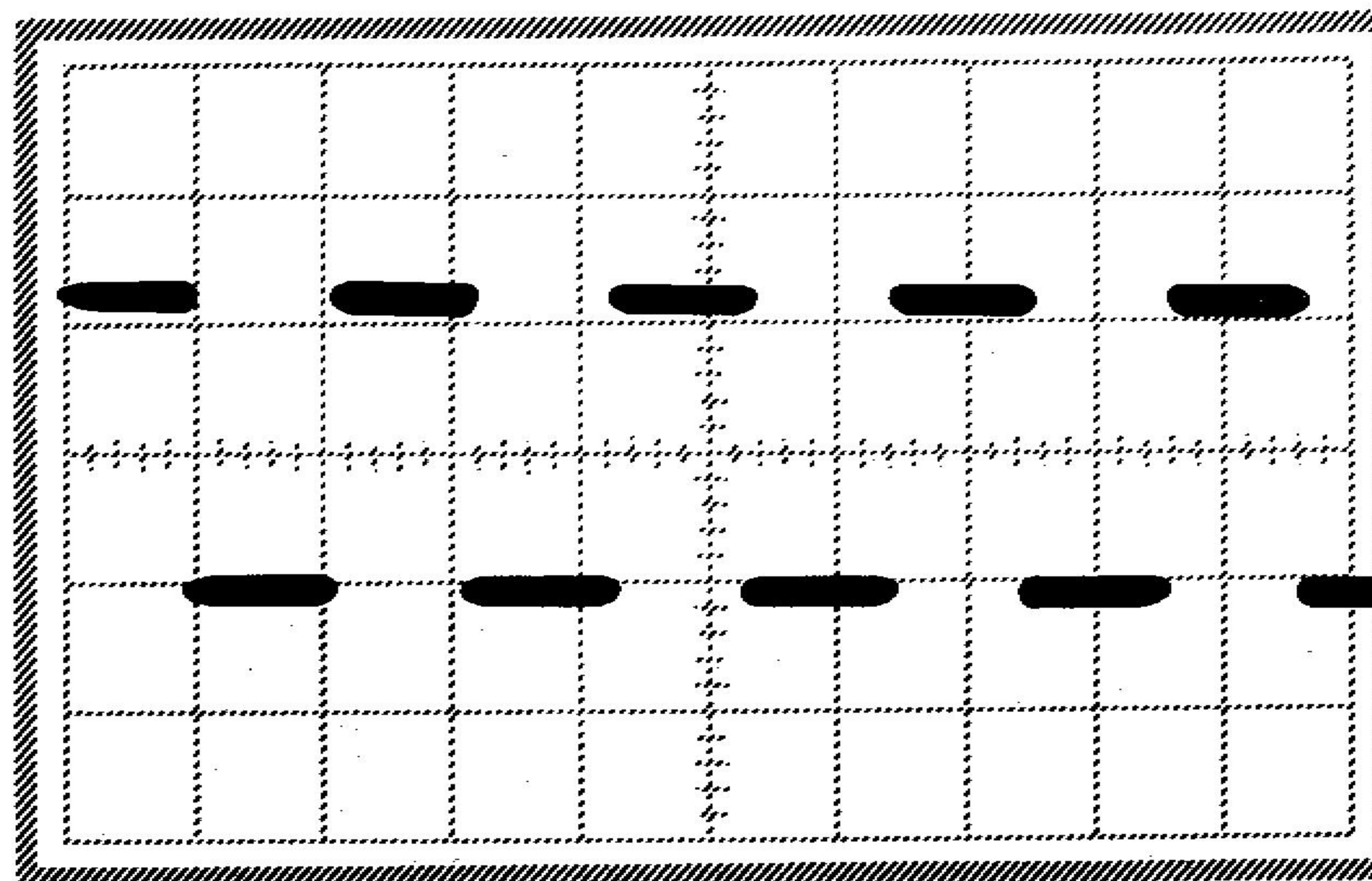
EMITTER OF Q6 & Q7
 VERTICAL - .5V/CM
 HORIZ - .5MSEC/CM

(C)



~ OUTPUT JACK
 TUNING - MAX CC
 RANGE - X100
 VERTICAL - 2V/CM
 HORIZ - .5MSEC/CM

(D)



□ OUTPUT JACK
 TUNING - MAX CC
 RANGE - X 100
 VERTICAL - 2V/CM
 HORIZ - .5MSEC/CM