

Assembly  
and  
Operation  
of the



**ELECTRONIC  
SLIDE RULE**

**MODEL IC-2100**



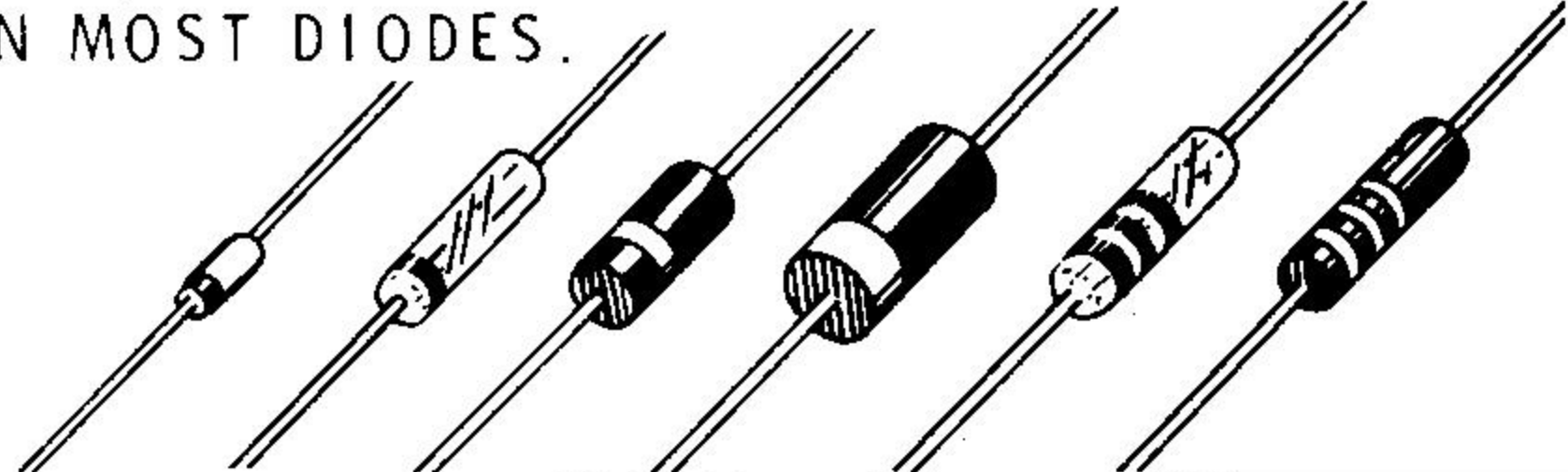
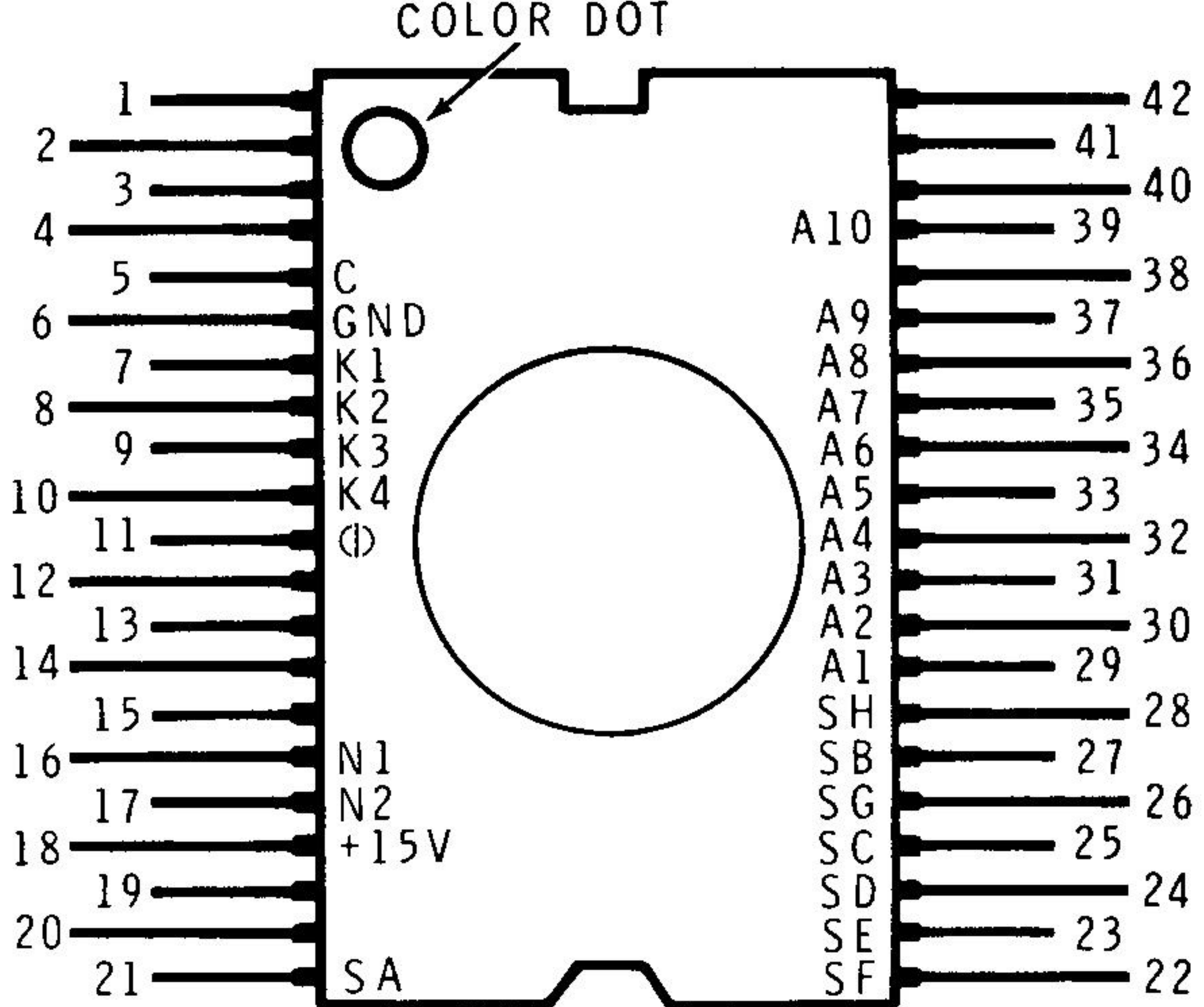
**TABLE OF CONTENTS**

Introduction . . . . .	2
Parts List . . . . .	3
Step-by-Step Assembly . . . . .	9
Initial Tests . . . . .	33
Final Assembly . . . . .	38
Operation . . . . .	40
In Case of Difficulty . . . . .	52
Troubleshooting Chart . . . . .	53
Specifications . . . . .	55
Circuit Fundamentals . . . . .	56
Circuit Board X-Ray Views . . . . .	58
Circuit Board Voltage Chart . . . . .	62
Schematic. . . (fold-out from page) . . . . .	65
Warranty . . . . .	Inside front cover
Customer Service . . . . .	Inside rear cover

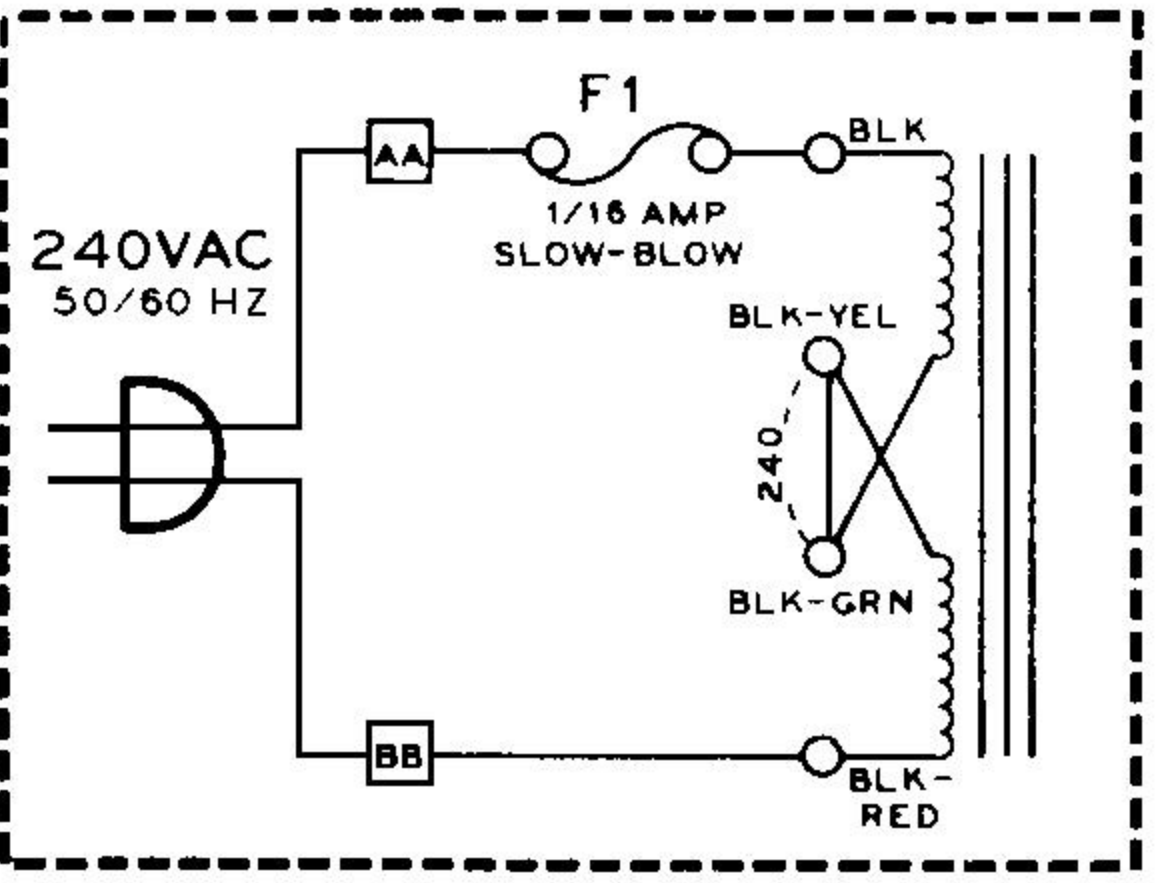
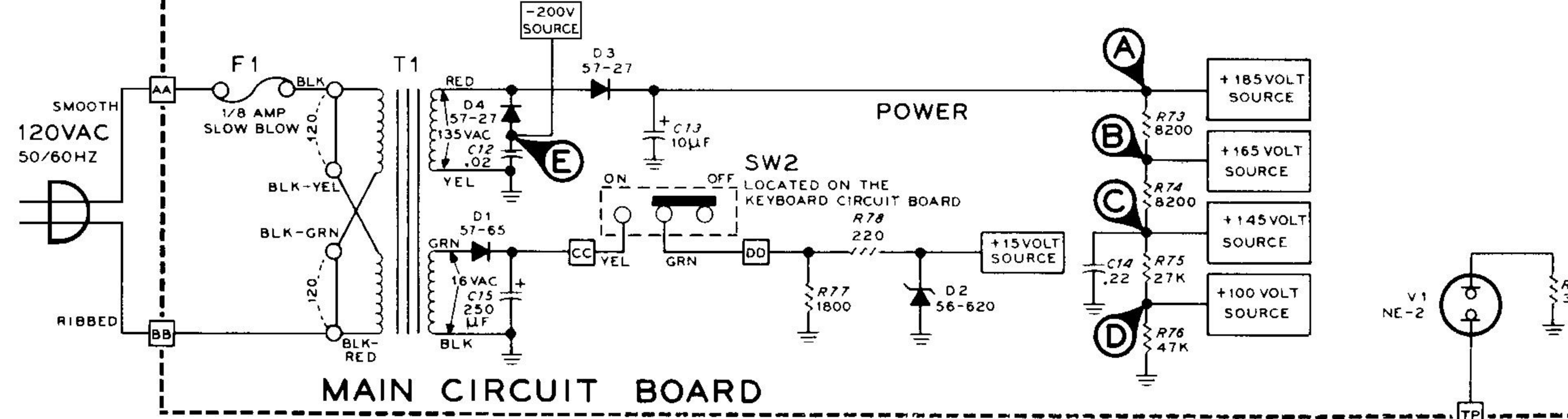
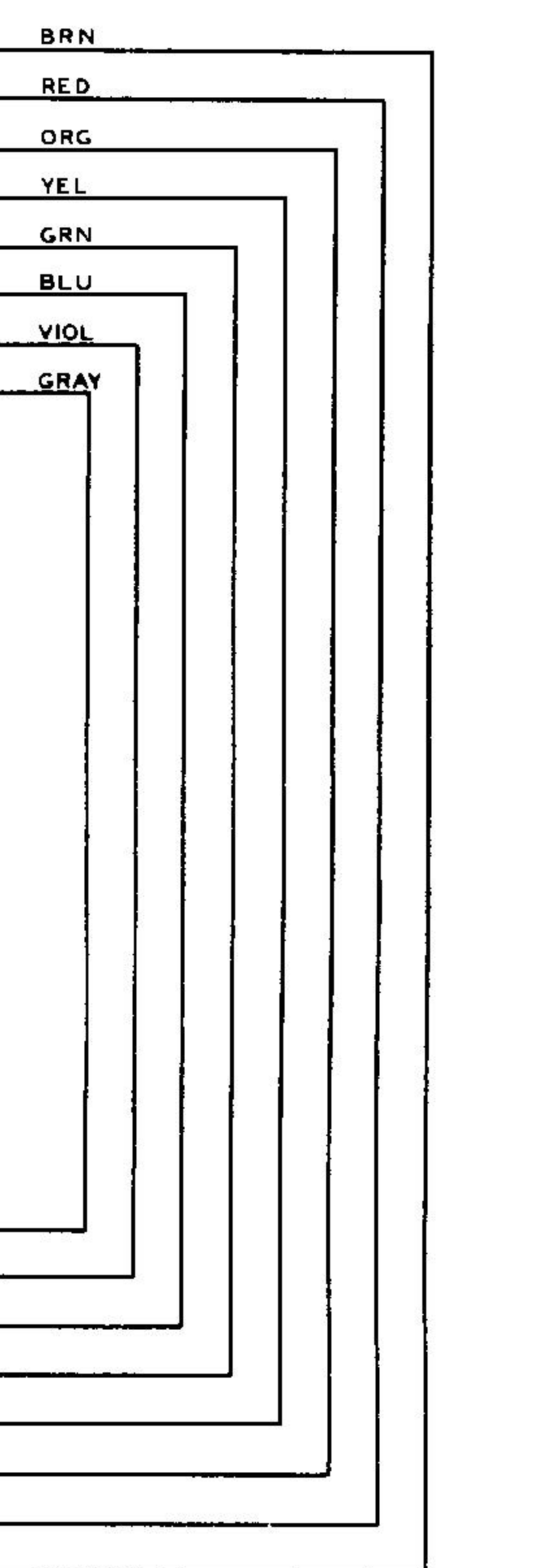
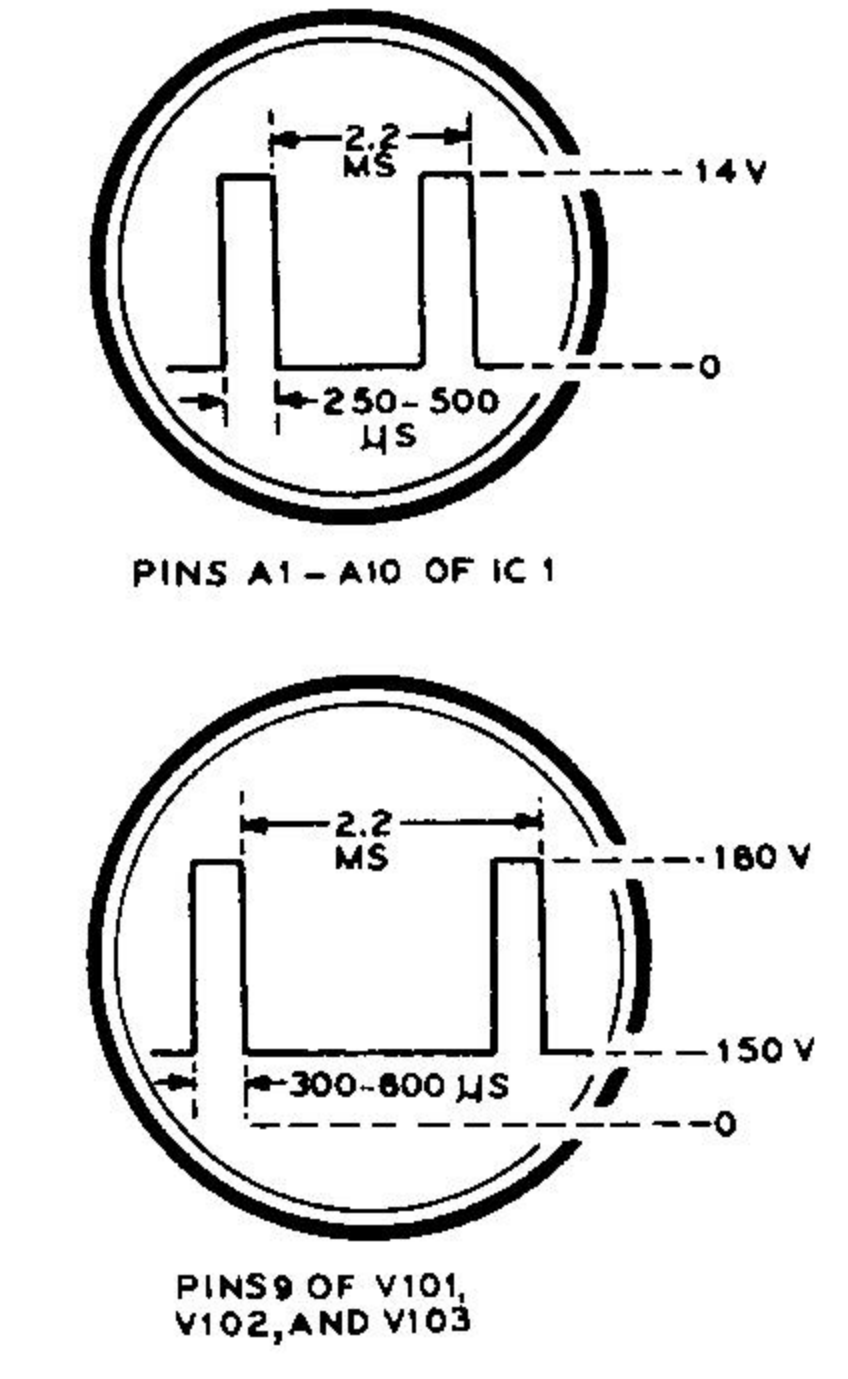
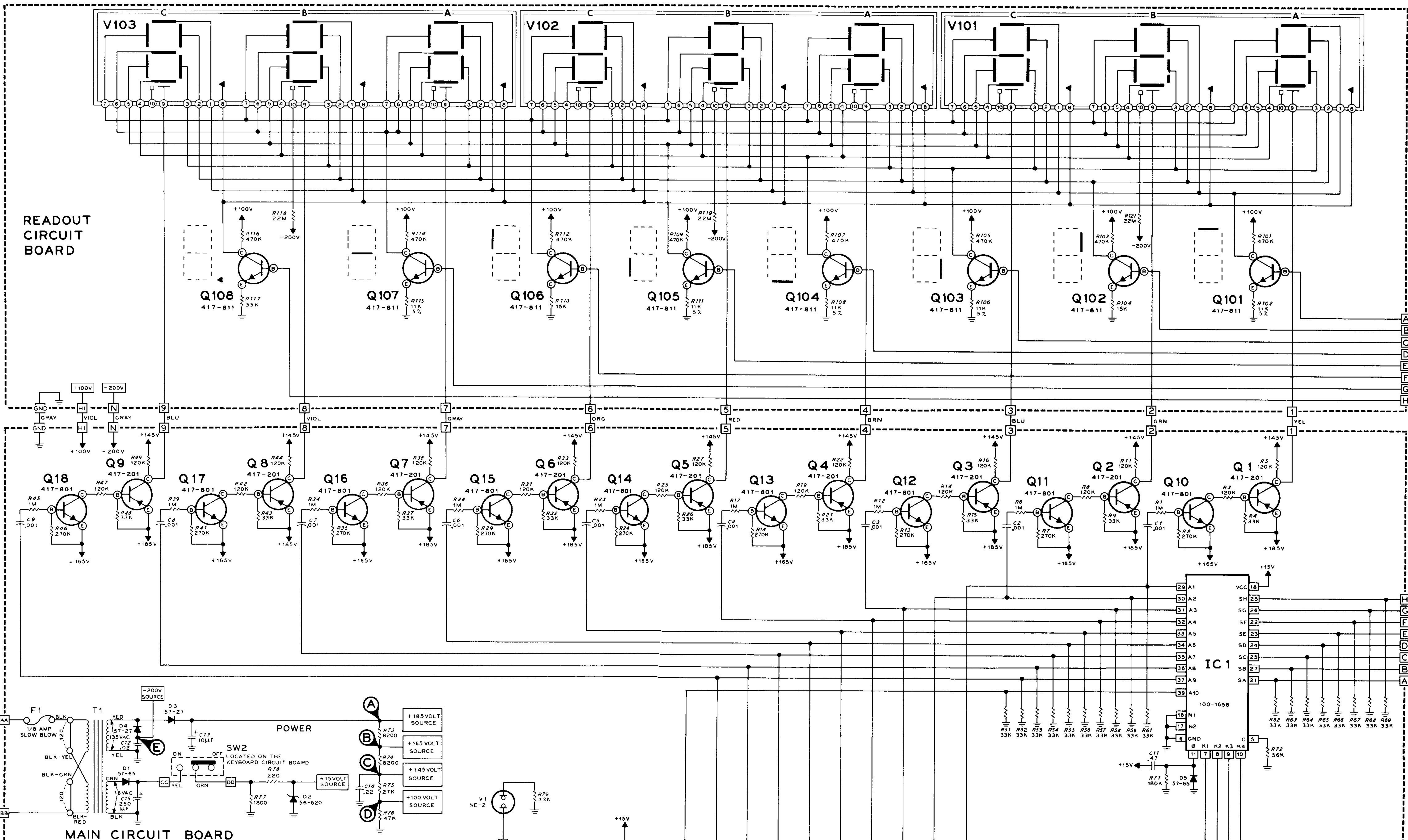
## Semiconductor Identification Charts

COMPONENT	HEATH PART NUMBER	MAY BE REPLACED WITH	IDENTIFICATION																						
V101, V102, V103	411-290	SPERRY RAND SP-353	<div style="text-align: center;"> <p>SEGMENTS VIEWED FROM FRONT</p> </div> <div style="text-align: center; margin-top: 10px;"> <p>PINS VIEWED FROM BACK</p> </div> <p style="text-align: center; margin-top: 10px;">NOTE: A10 AND C10 NOT USED.</p> <table border="1" style="margin-left: auto; margin-right: auto; border-collapse: collapse;"> <thead> <tr> <th style="text-align: left;">SEGMENT</th> <th style="text-align: left;">PIN NUMBER</th> </tr> </thead> <tbody> <tr><td>a</td><td>1</td></tr> <tr><td>b</td><td>2</td></tr> <tr><td>c</td><td>3</td></tr> <tr><td>d</td><td>4</td></tr> <tr><td>e</td><td>5</td></tr> <tr><td>f</td><td>6</td></tr> <tr><td>g</td><td>7</td></tr> <tr><td>DECIMAL</td><td>8</td></tr> <tr><td>ANODE</td><td>9</td></tr> <tr><td>"KEEP ALIVE"</td><td>10</td></tr> </tbody> </table>	SEGMENT	PIN NUMBER	a	1	b	2	c	3	d	4	e	5	f	6	g	7	DECIMAL	8	ANODE	9	"KEEP ALIVE"	10
SEGMENT	PIN NUMBER																								
a	1																								
b	2																								
c	3																								
d	4																								
e	5																								
f	6																								
g	7																								
DECIMAL	8																								
ANODE	9																								
"KEEP ALIVE"	10																								
Q101-Q108	417-811	MPS-L01																							
Q10-Q18	417-801	MPS-A20																							
Q1-Q9	417-201	X29A829	<p style="text-align: center;">OR</p>																						



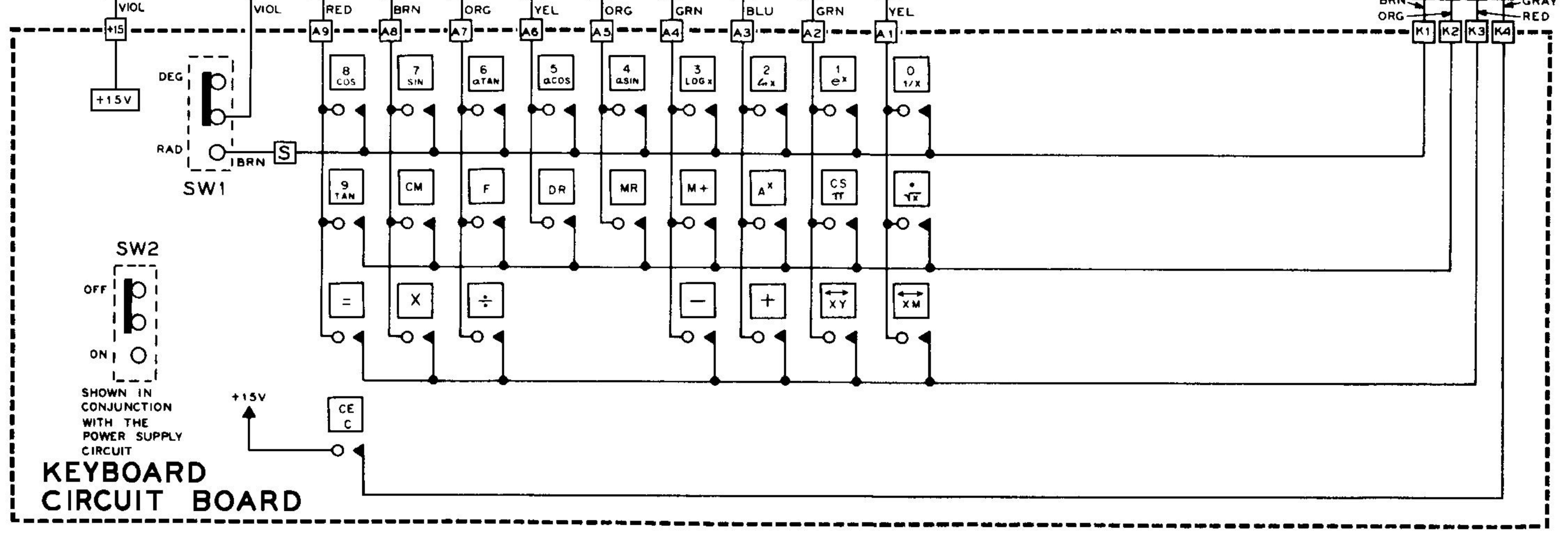
COMPONENT	HEATH PART NUMBER	MAY BE REPLACED WITH	IDENTIFICATION
D1, D5	57-65	1N4002 SILICON DIODE, 1A, 100V.	<p data-bbox="1514 649 2425 734">NOTE: HEATH PART NUMBERS ARE STAMPED ON MOST DIODES.</p> 
D2	56-620	1N4744A ZENER DIODE 15 VOLT, ±5%	
D3, D4,	57-27	1N2071 SILICON DIODE, 1A, 600V.	
IC1	100-1658	A4001	 <p data-bbox="1764 989 1999 1032">COLOR DOT</p> <p data-bbox="1822 1819 2058 1862">TOP VIEW</p>



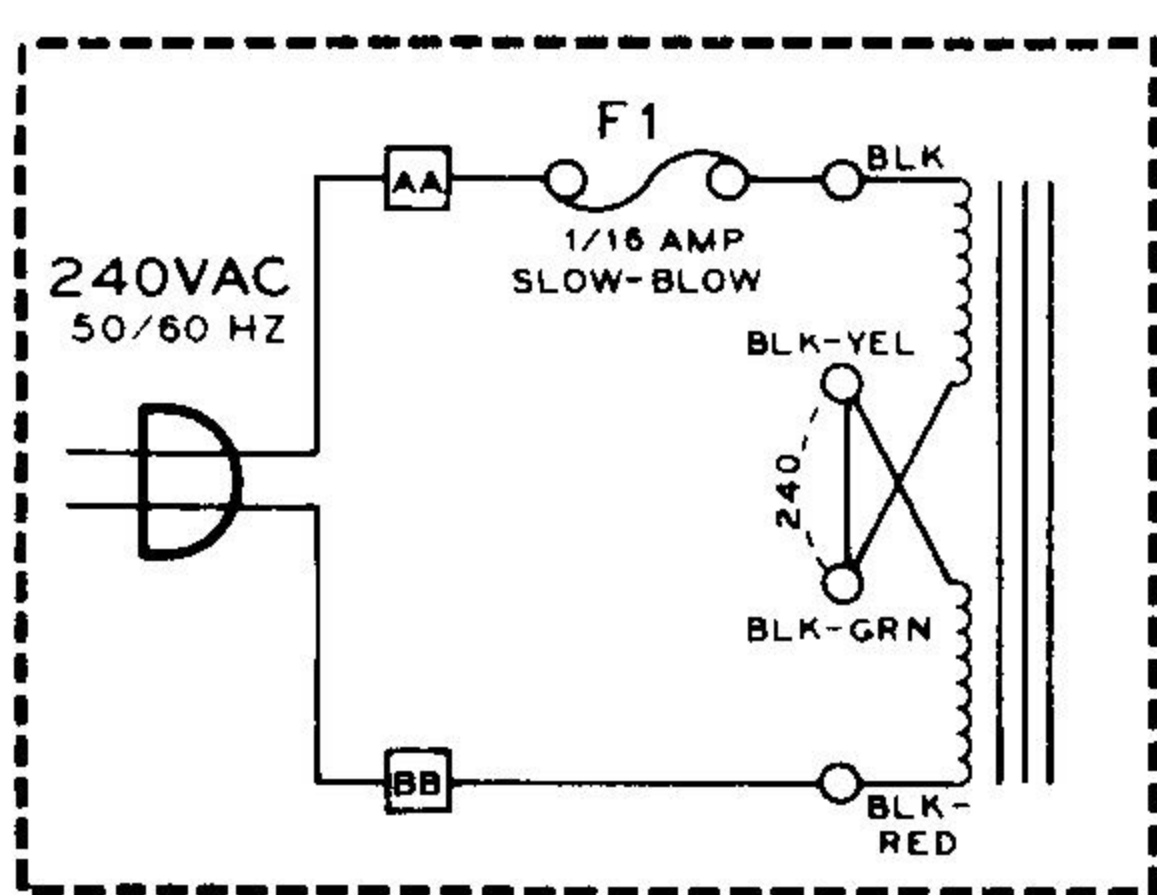
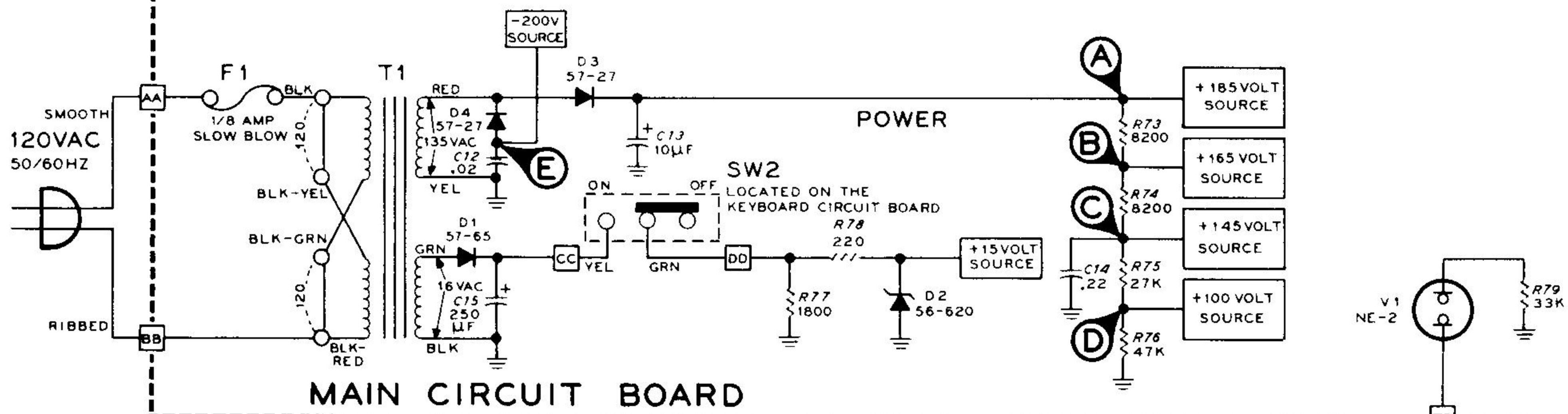
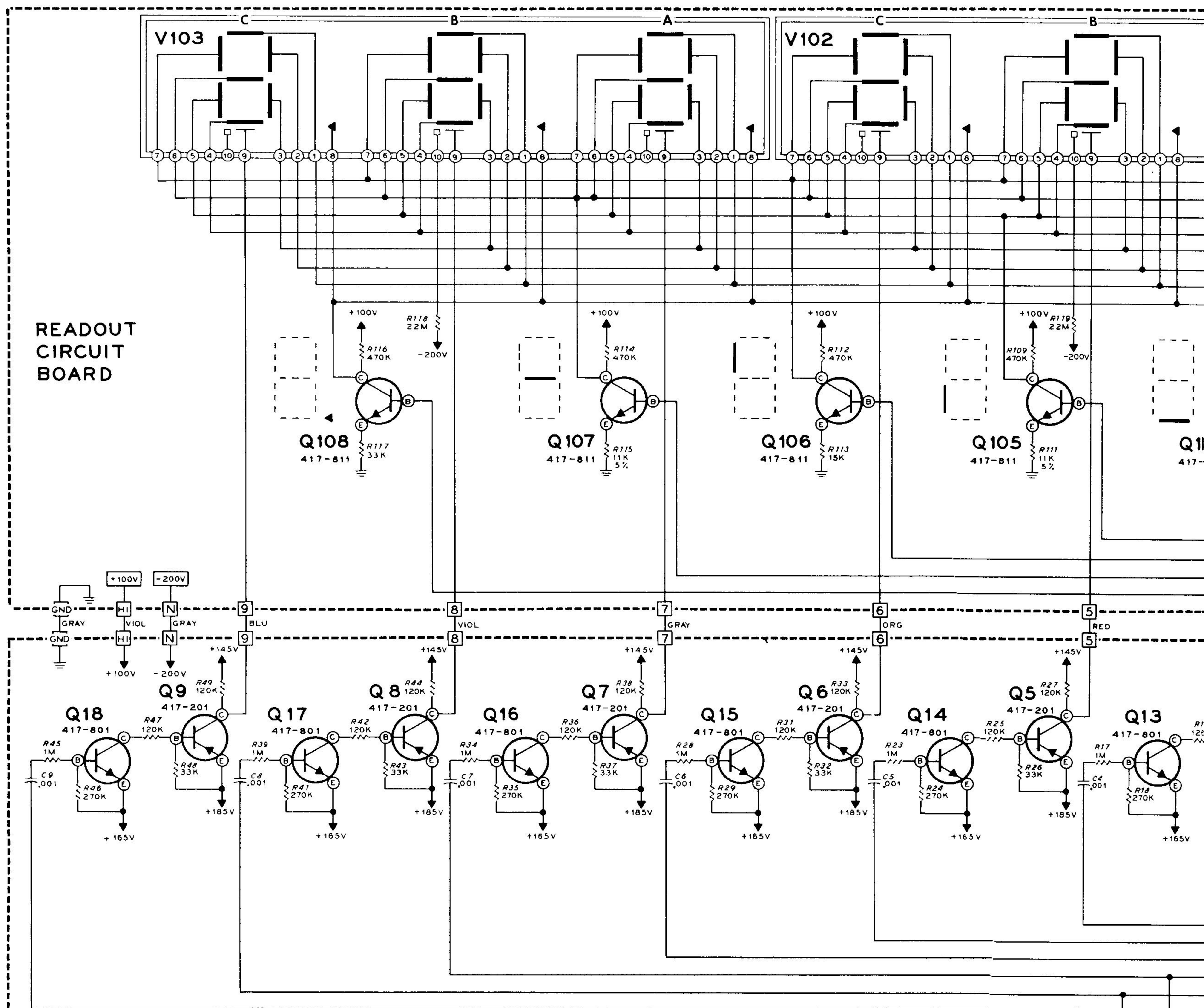


**SCHEMATIC OF THE HEATHKIT<sup>®</sup> ELECTRONIC SLIDE RULE MODEL IC-2100**

- NOTES:
1. ALL RESISTORS ARE 1/2 WATT, 10%, UNLESS MARKED OTHERWISE. RESISTOR VALUES ARE IN OHMS (K=1,000; M=1,000,000).
  2. ALL CAPACITOR VALUES LESS THAN 1 ARE IN  $\mu$ F. CAPACITOR VALUES LARGER THAN 1 ARE IN  $\mu$ F UNLESS OTHERWISE INDICATED.
  3. REFER TO THE X-RAY FOR THE PHYSICAL LOCATION OF PARTS.
  4.   THIS SYMBOL INDICATES A LETTERED CIRCUIT BOARD CONNECTION.
  5.  $\perp$  THIS SYMBOL INDICATES CIRCUIT GROUND.
  6. +15V THIS SYMBOL INDICATES A CONNECTION TO THE POWER SUPPLY OF THE VOLTAGE INDICATED.







**SCHEMATIC OF THE  
HEATHKIT<sup>®</sup>  
ELECTRONIC SLIDE RULE  
MODEL IC-2100**

**NOTES:**

1. ALL RESISTORS ARE 1/2 WATT, 10%, UNLESS MARKED OTHERWISE. RESISTOR VALUES ARE IN OHMS (K=1,000; M=1,000,000).
2. ALL CAPACITOR VALUES LESS THAN 1 ARE IN µF. CAPACITOR VALUES LARGER THAN 1 ARE IN µF UNLESS OTHERWISE INDICATED.
3. REFER TO THE X-RAY VIEWS FOR THE PHYSICAL LOCATION OF PARTS.
4. THIS SYMBOL INDICATES A LETTERED CIRCUIT BOARD CONNECTION.
5. THIS SYMBOL INDICATES CIRCUIT GROUND.
6. THIS SYMBOL INDICATES A CONNECTION TO THE POWER SUPPLY OF THE VOLTAGE INDICATED.

