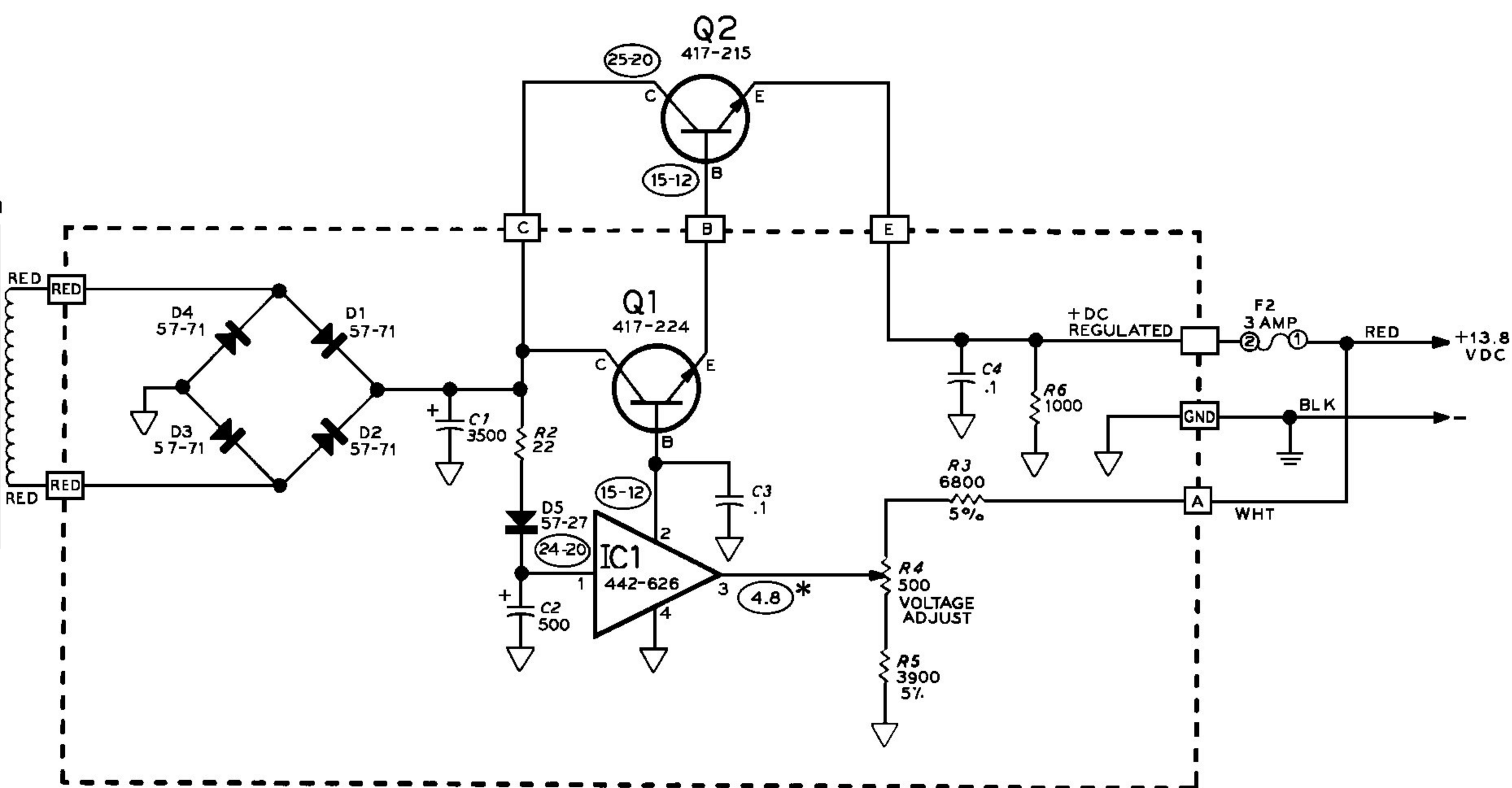
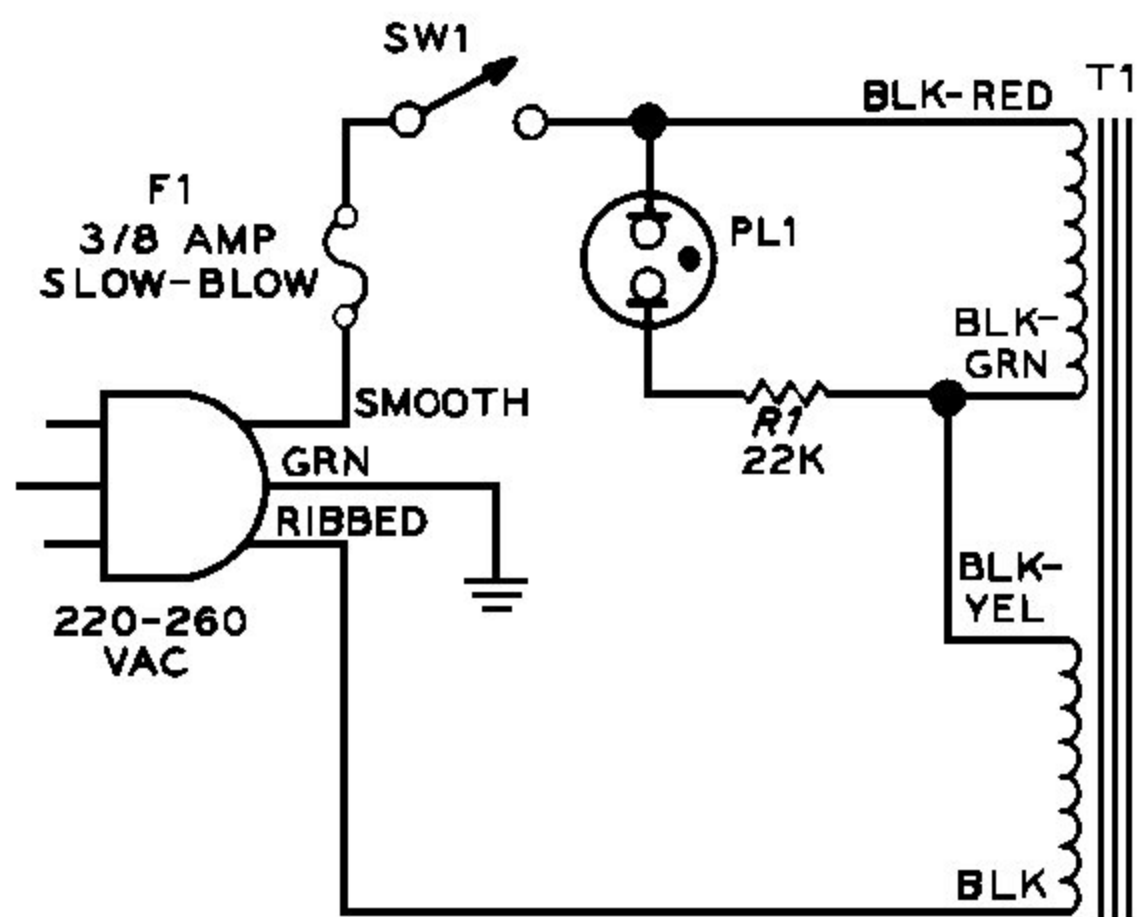


**240 VAC WIRING**



**SCHEMATIC OF THE  
HEATHKIT®  
AC POWER SUPPLY  
MODEL HWA-2036-3**

**NOTES:**

1. RESISTOR VALUES ARE IN OHMS. ALL RESISTORS ARE 1/2 WATT.
2. CAPACITOR VALUES ARE IN  $\mu$ F.
3.  THIS SYMBOL INDICATES A CONNECTION TO THE CIRCUIT BOARD.
4.  THIS SYMBOL INDICATES DC VOLTAGES WITH 120 VAC SOURCE. VOLTAGES MAY VARY  $\pm 20\%$ . FIRST FIGURE IS TAKEN WITH NO LOAD. SECOND FIGURE IS TAKEN WITH 2.7A LOAD.
5. \* THIS VOLTAGE VARIES WITH THE SETTING OF CONTROL R4.