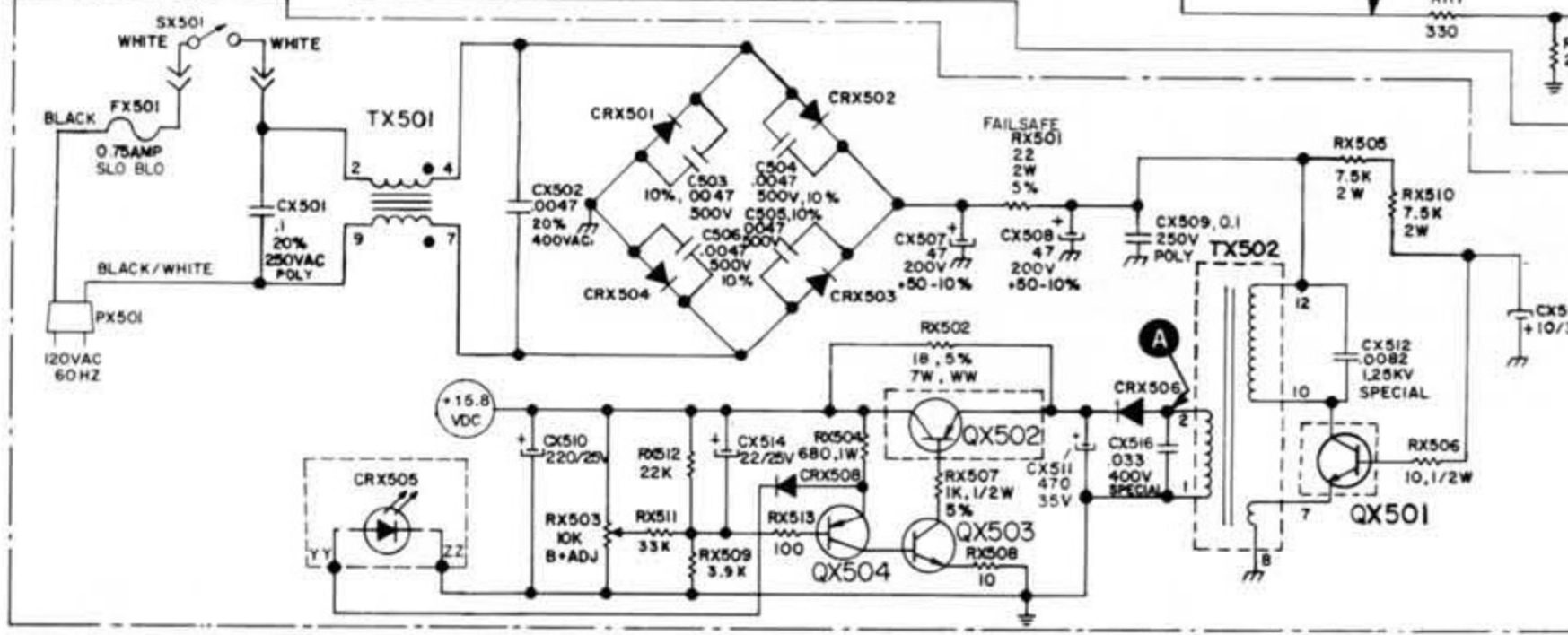
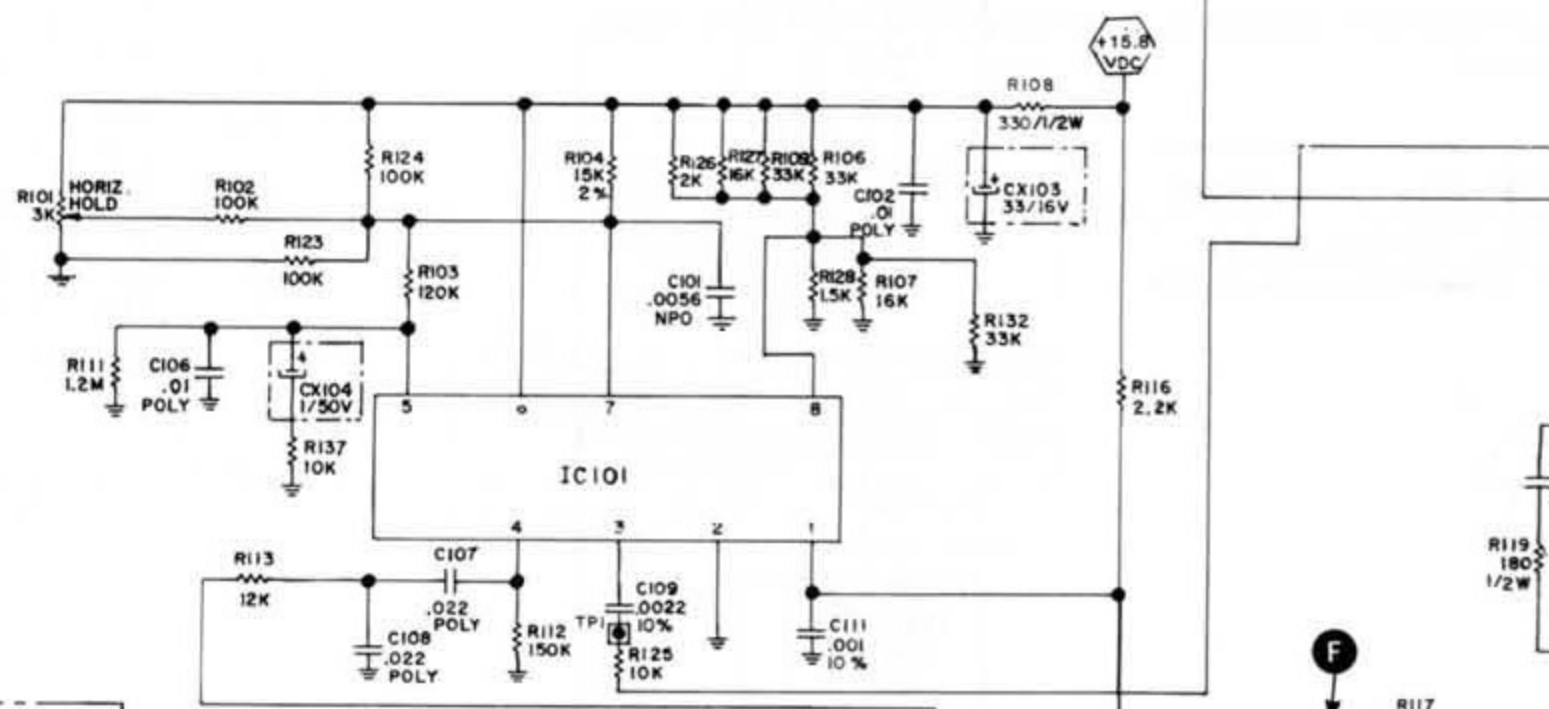
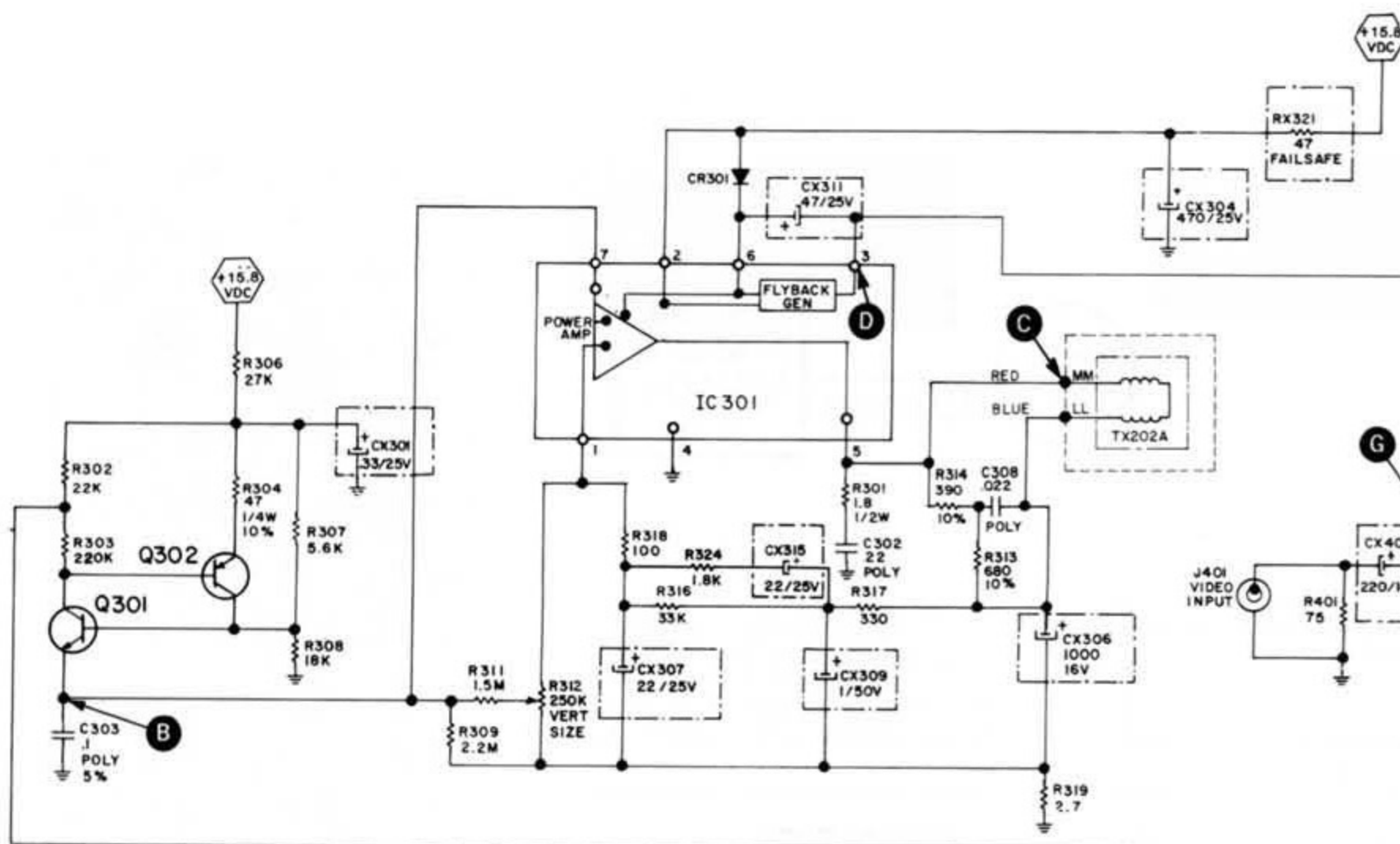
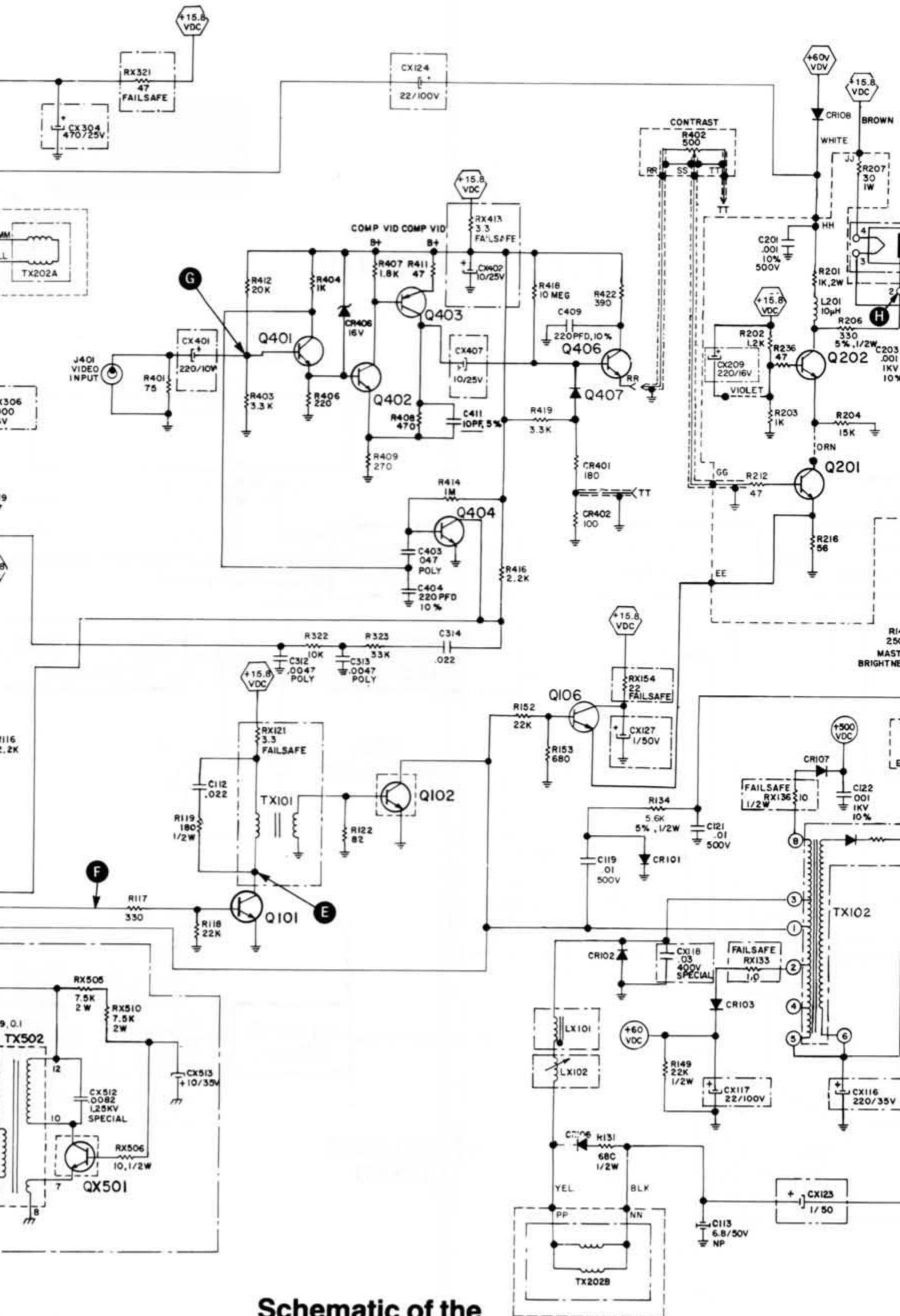


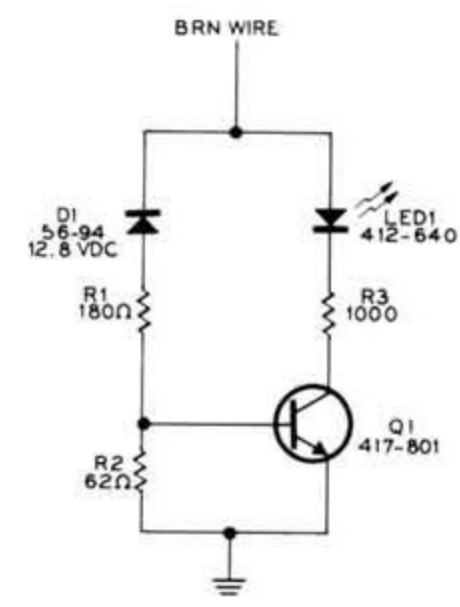
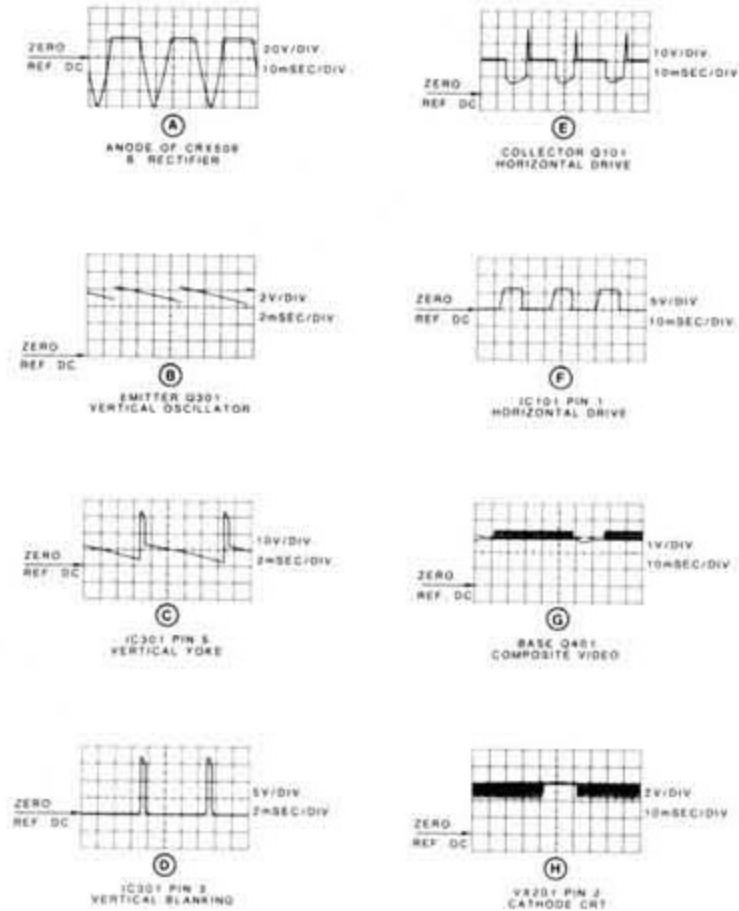
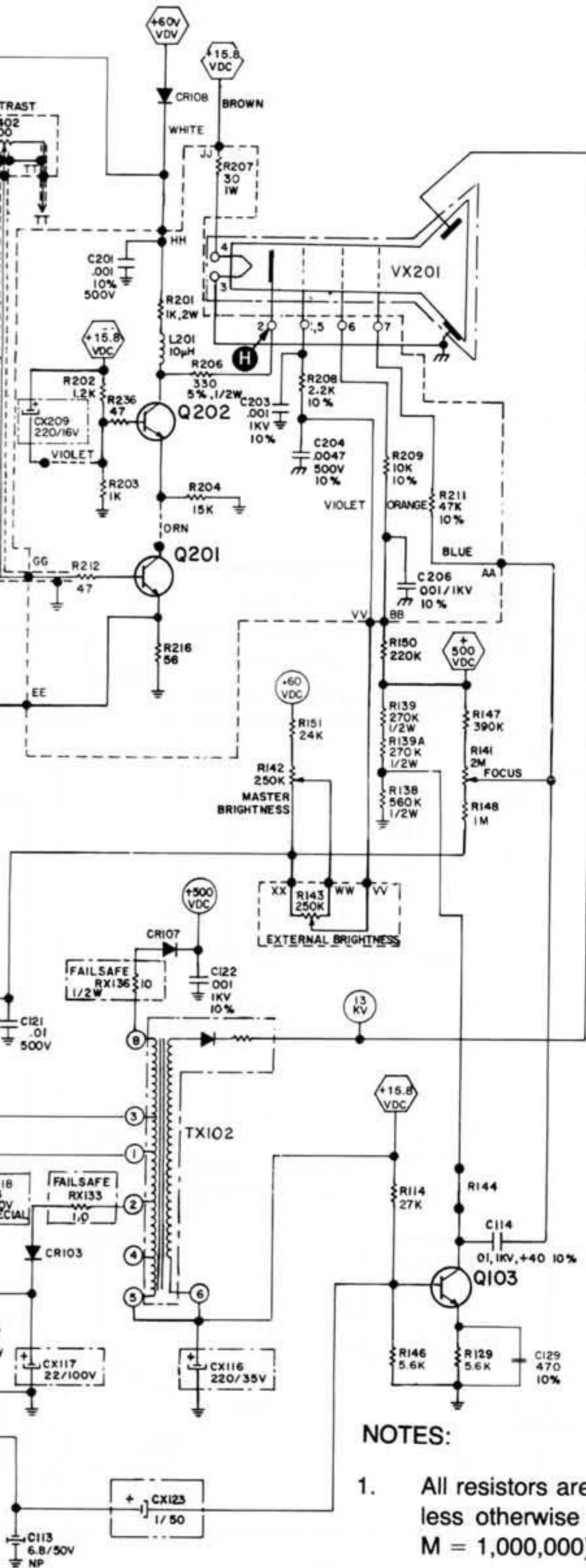
- NOTES:**
1. All resistors are rated at 1/4-watt and have a tolerance of 5% unless otherwise noted. Resistor values are in ohms (k = 1000; M = 1,000,000).
  2. Capacitor values are in  $\mu$ F (microfarads) unless otherwise noted (pF = picofarads).
  3. **CRITICAL SAFETY COMPONENTS**  
The letter "X" in the electrical Schematic and Parts List designates special safety critical components, these should be replaced only with an exact equivalent.

**Schematic of the  
Heathkit®  
Model HVM-1220-1  
Monochrome Video Monitor**





**Schematic of the  
 Heathkit®  
 Model HVM-1220-1  
 Monochrome Video Monitor**



**NOTES:**

1. All resistors are rated at 1/4-watt and have a tolerance of 5% unless otherwise noted. Resistor values are in ohms (k = 1000; M = 1,000,000).
2. Capacitor values are in  $\mu$ F (microfarads) unless otherwise noted (pF = picofarads).
3. **CRITICAL SAFETY COMPONENTS**  
The letter "X" in the electrical Schematic and Parts List designates special safety critical components, these should be replaced only with an exact equivalent.