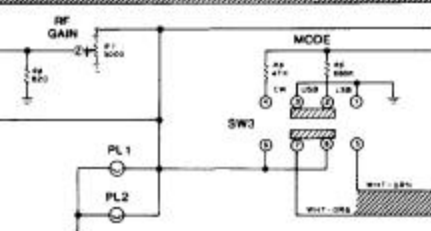
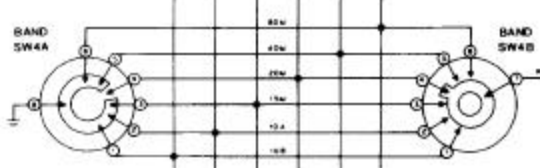
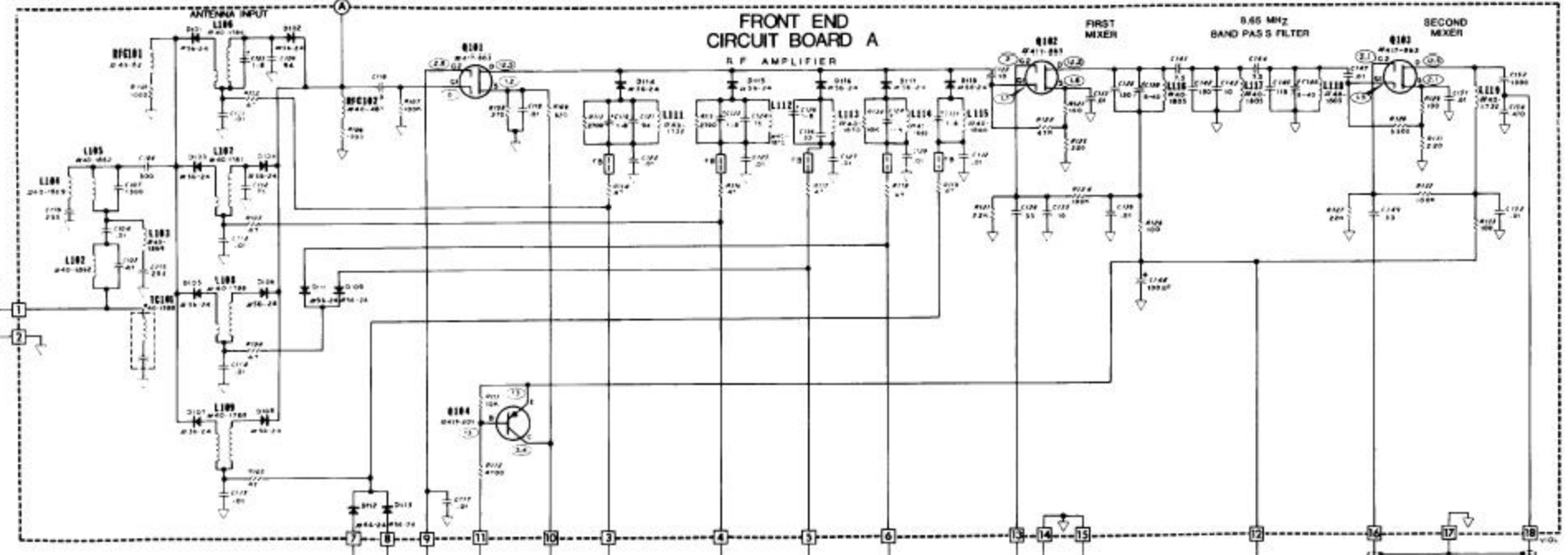
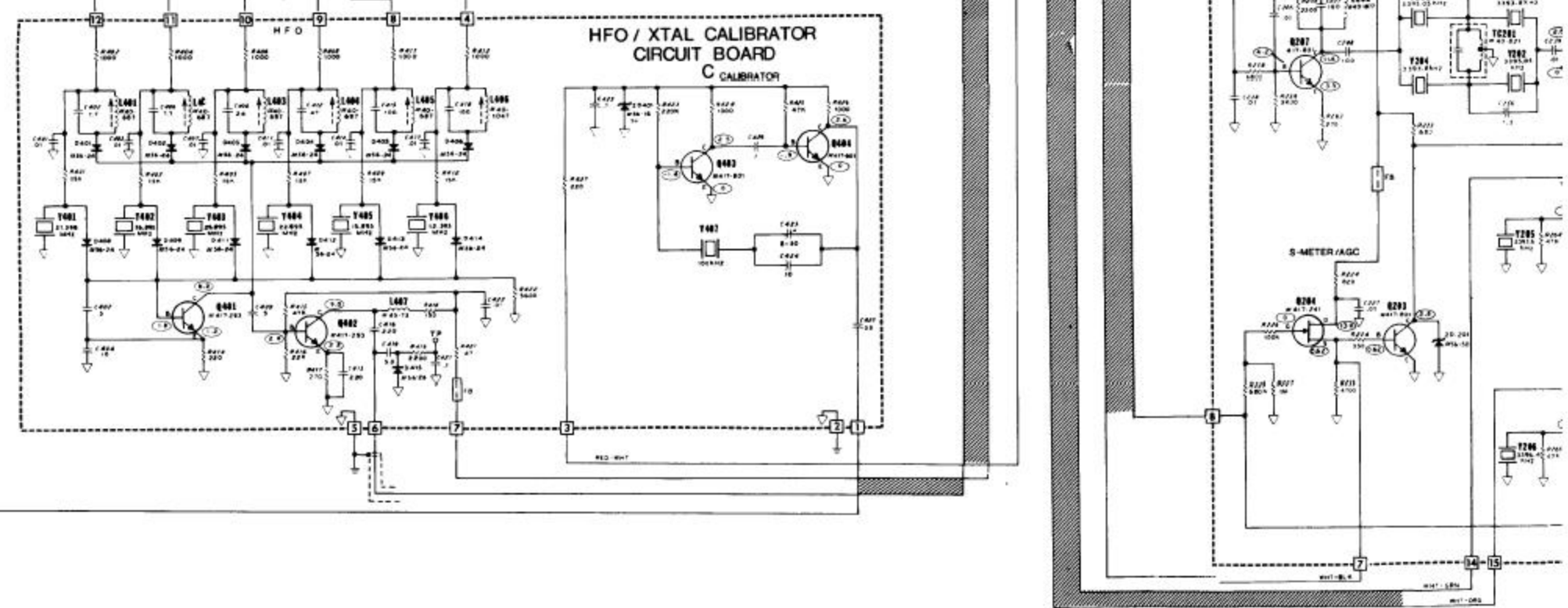
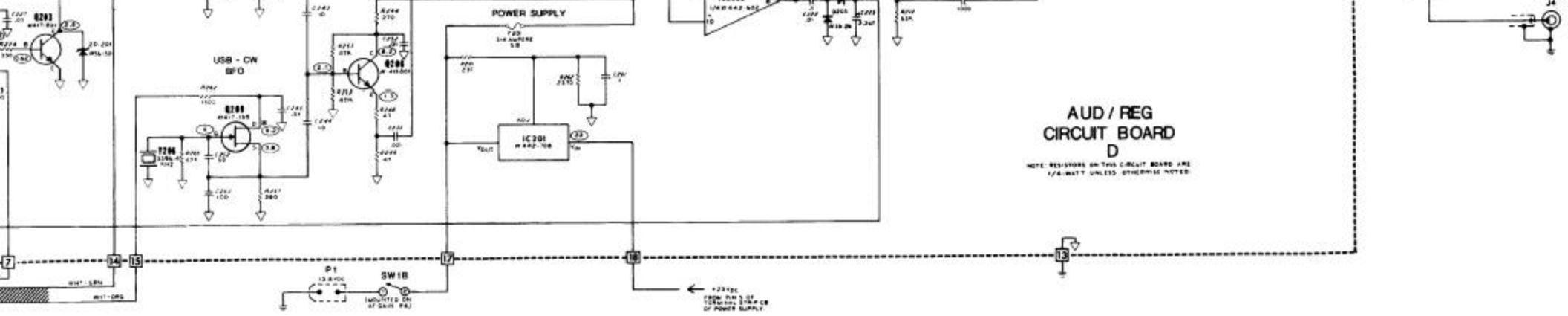
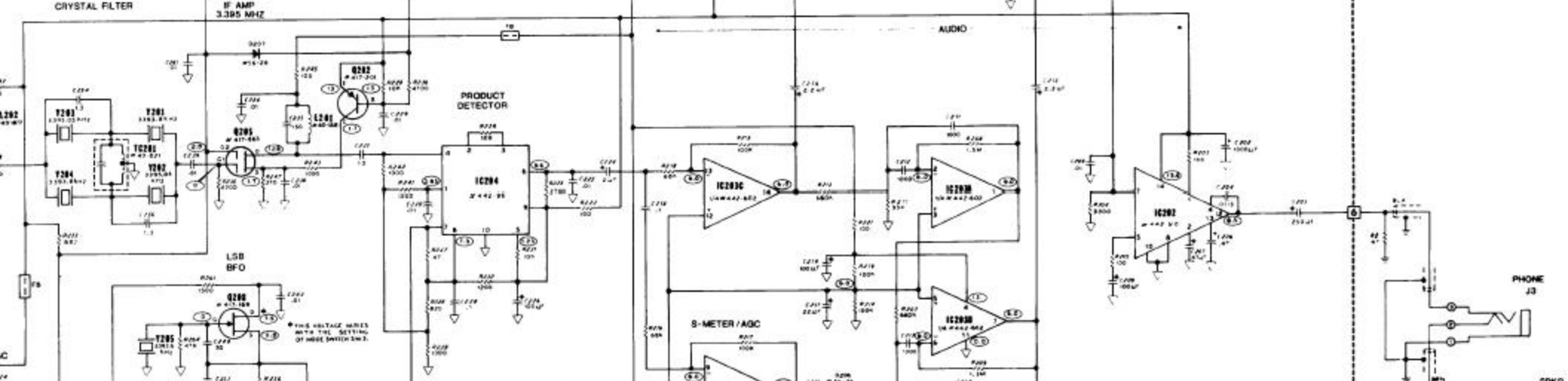
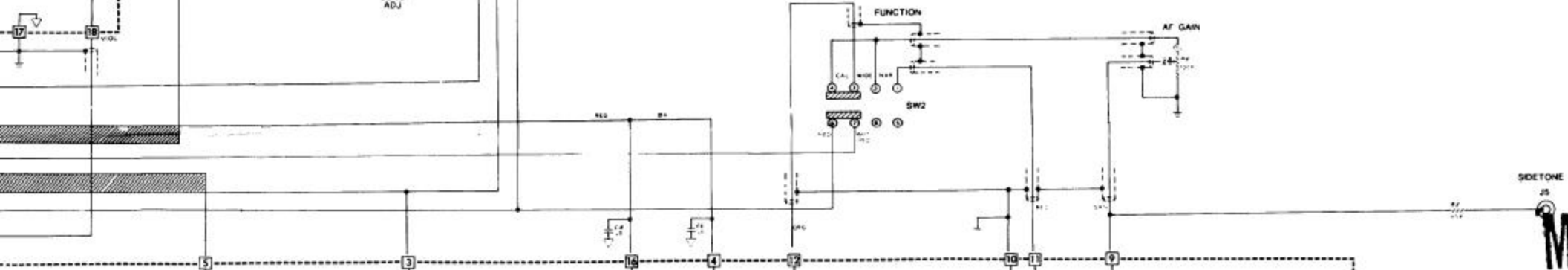
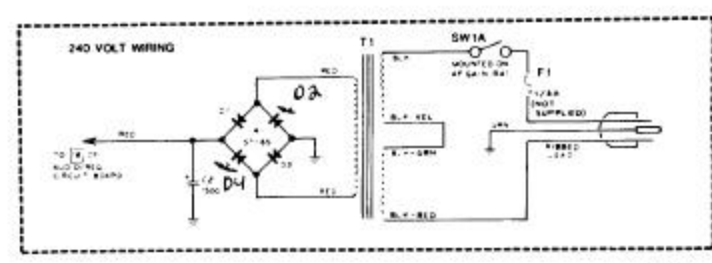
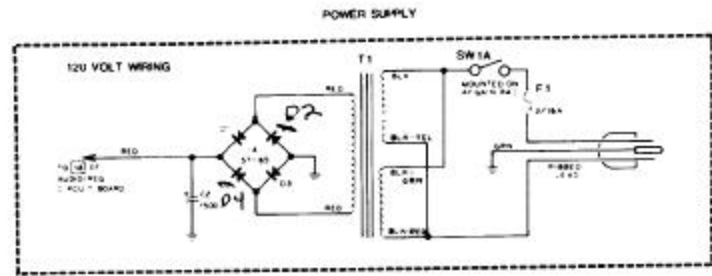
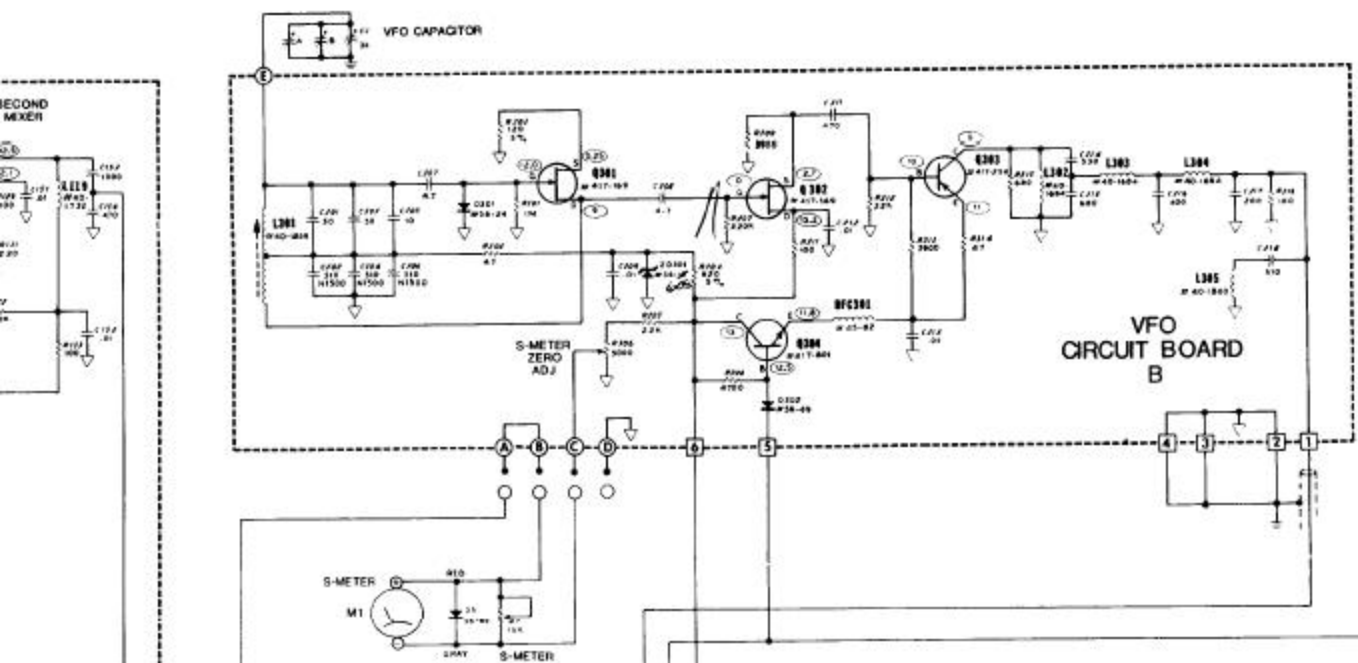


FRONT END CIRCUIT BOARD A



HFO / XTAL CALIBRATOR CIRCUIT BOARD C CALIBRATOR





AUD / REG CIRCUIT BOARD D

NOTE: RESISTORS ON THIS CIRCUIT BOARD ARE 1/4-WATT UNLESS OTHERWISE NOTED

MUTE J2

SIDETONE J5

PHONE J3

SPKR J4