

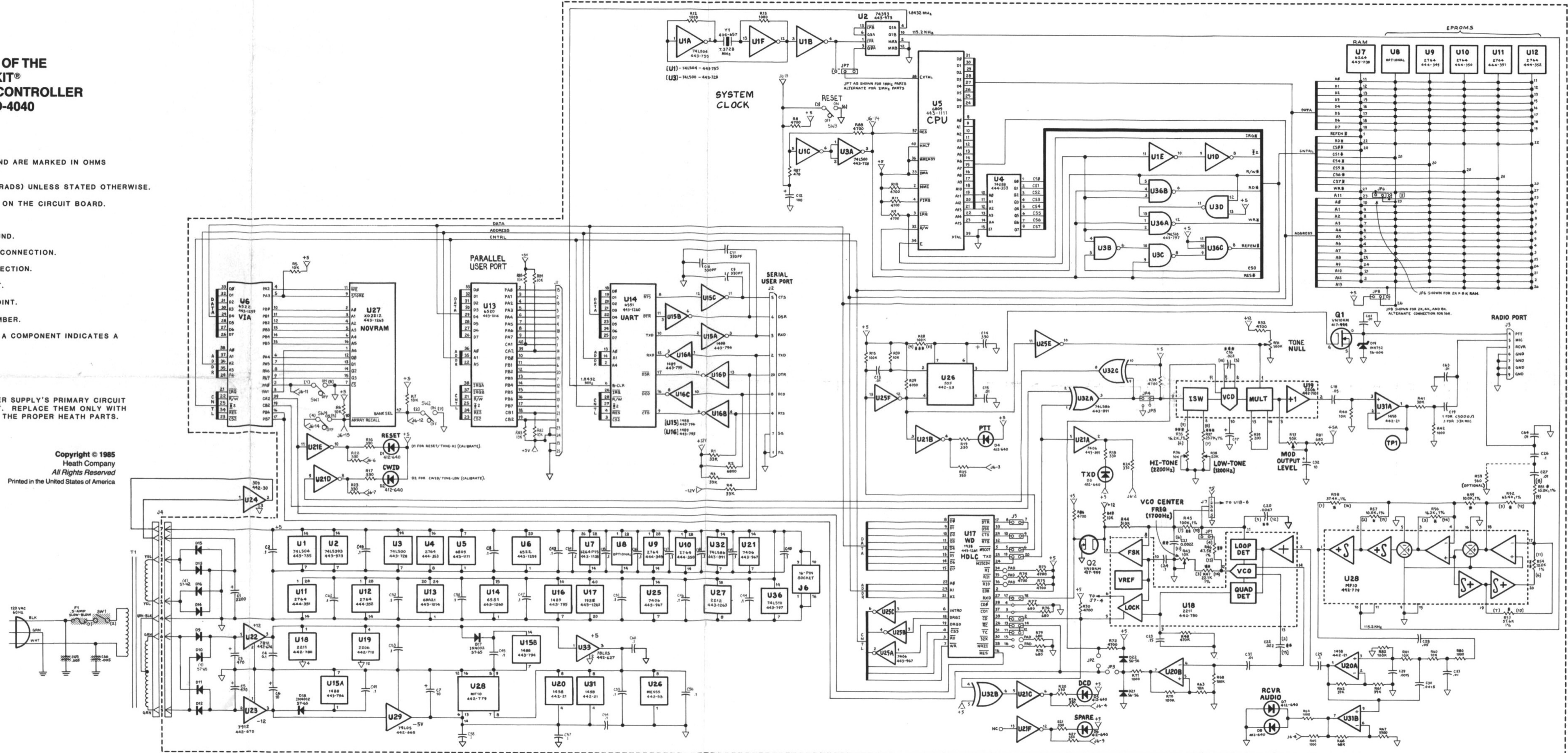
SCHEMATIC OF THE HEATHKIT® TERMINAL NODE CONTROLLER MODEL HD-4040

NOTES:

1. ALL RESISTORS ARE 1/4-WATT, 5% AND ARE MARKED IN OHMS (k-1,000; M-1,000,000).
2. ALL CAPACITORS ARE IN µF (MICROFARADS) UNLESS STATED OTHERWISE.
3. ○ INDICATES A WIRE CONNECTION ON THE CIRCUIT BOARD.
4. ≡ INDICATES CHASSIS GROUND.
5. ▽ INDICATES CIRCUIT BOARD GROUND.
6. ♀ INDICATES A FEMALE (SOCKET) CONNECTION.
7. ♂ INDICATES A MALE (PLUG) CONNECTION.
8. ✦ INDICATES A CONNECTION POINT.
9. ⊕ INDICATES A NO CONNECTION POINT.
10. J6-1 INDICATES SOCKET AND PIN NUMBER.
11. NUMBERS SUCH AS (1) OR 8 NEXT TO A COMPONENT INDICATES A PIN NUMBER.
12. * - U30 16 PIN PLUG.
** - U34 16 PIN PLUG.
*** - U35 14 PIN PLUG.
13. PARTS IN SHADED AREAS IN THE POWER SUPPLY'S PRIMARY CIRCUIT ARE CRITICAL FOR CONTINUED SAFETY. REPLACE THEM ONLY WITH PARTS OF THE SAME RATING OR WITH THE PROPER HEATH PARTS.

Part of 595-3334-01

Copyright © 1985
Heath Company
All Rights Reserved
Printed in the United States of America



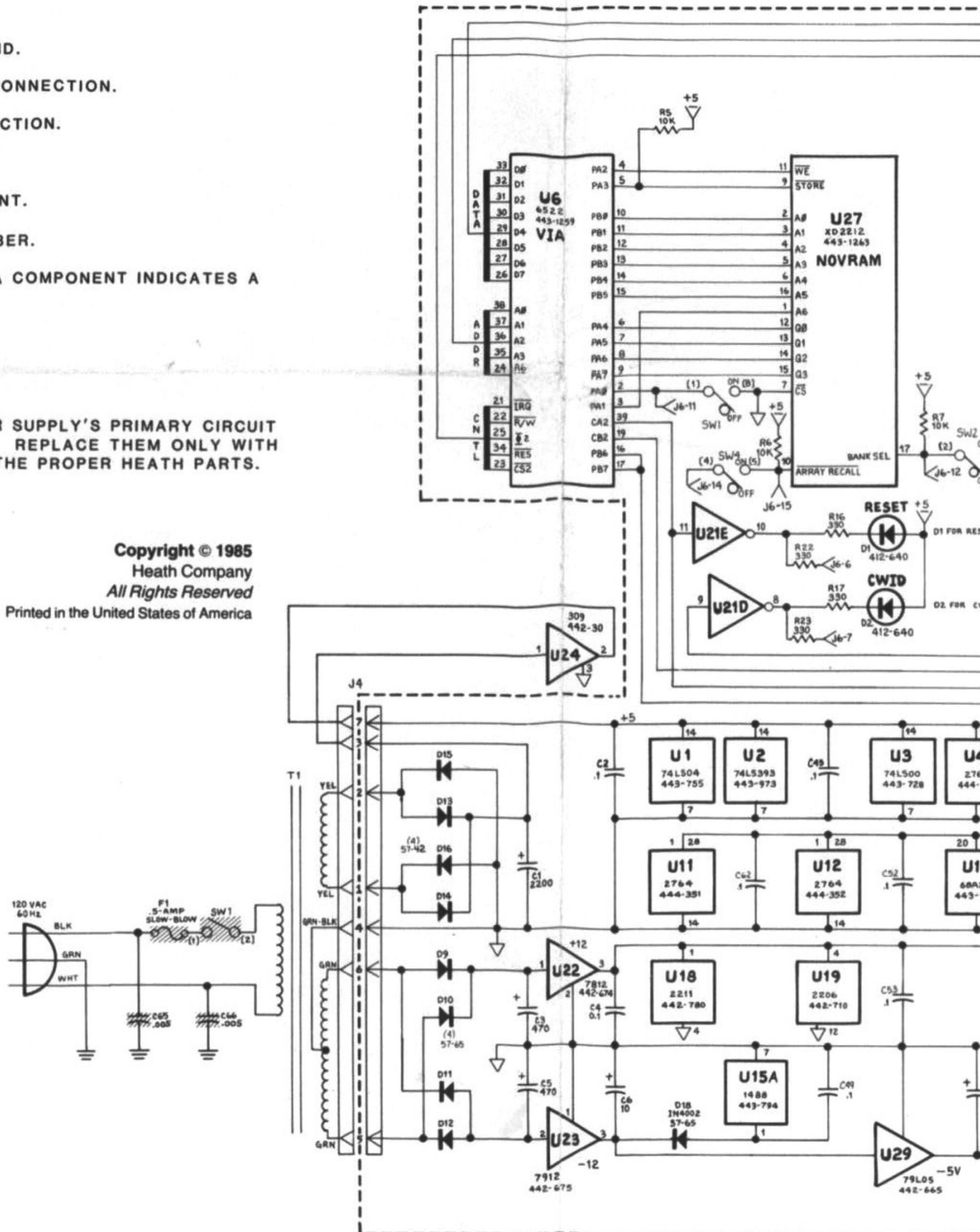
SCHEMATIC OF THE HEATHKIT® TERMINAL NODE CONTROLLER MODEL HD-4040

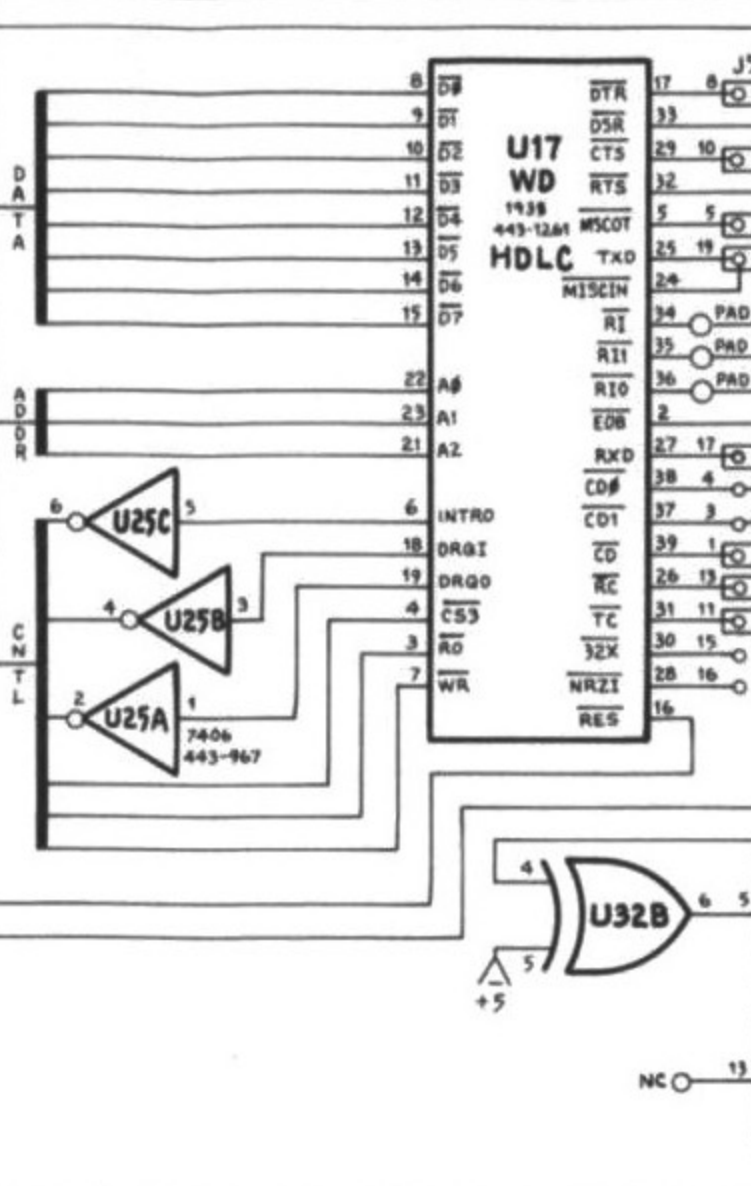
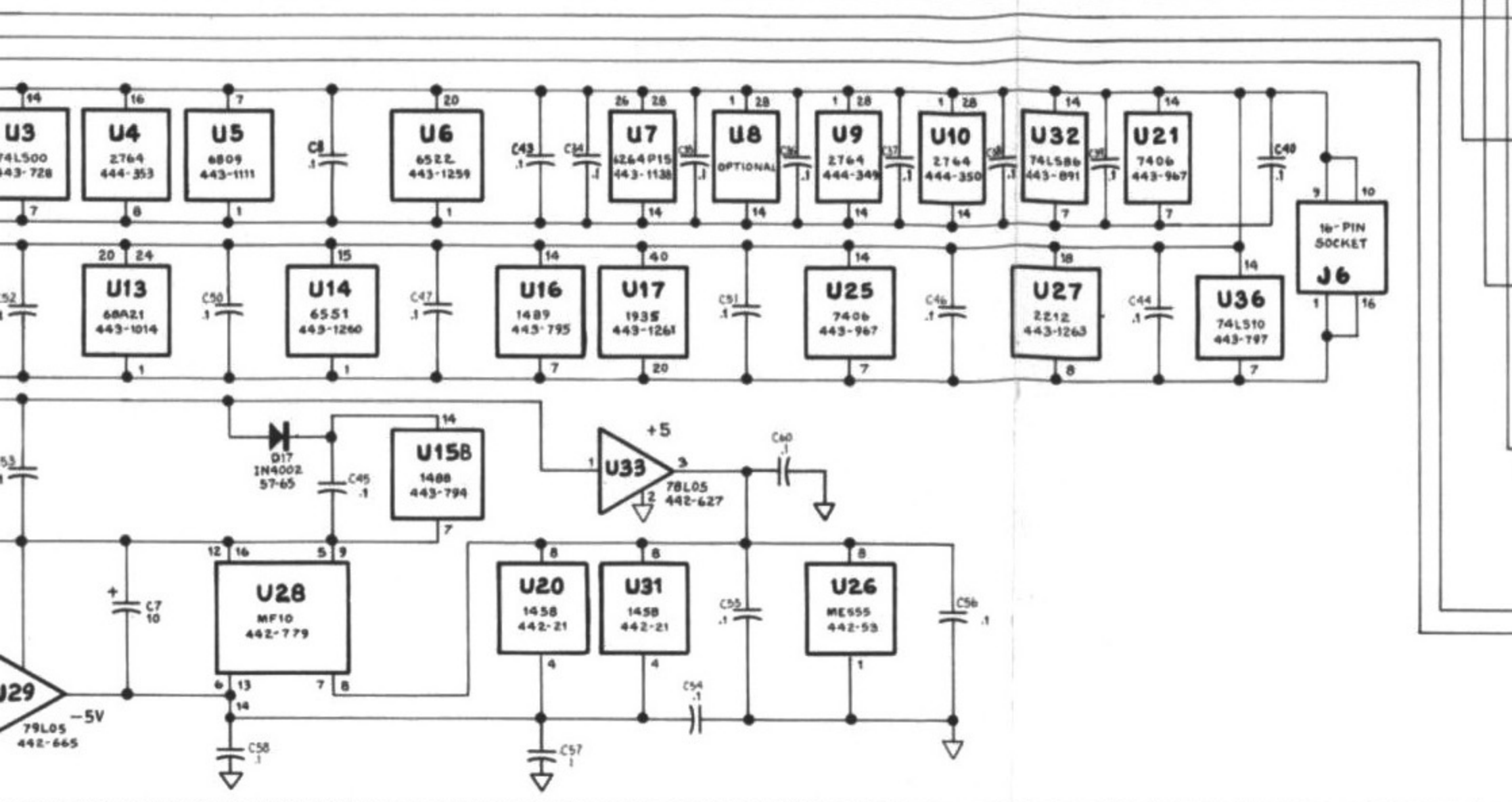
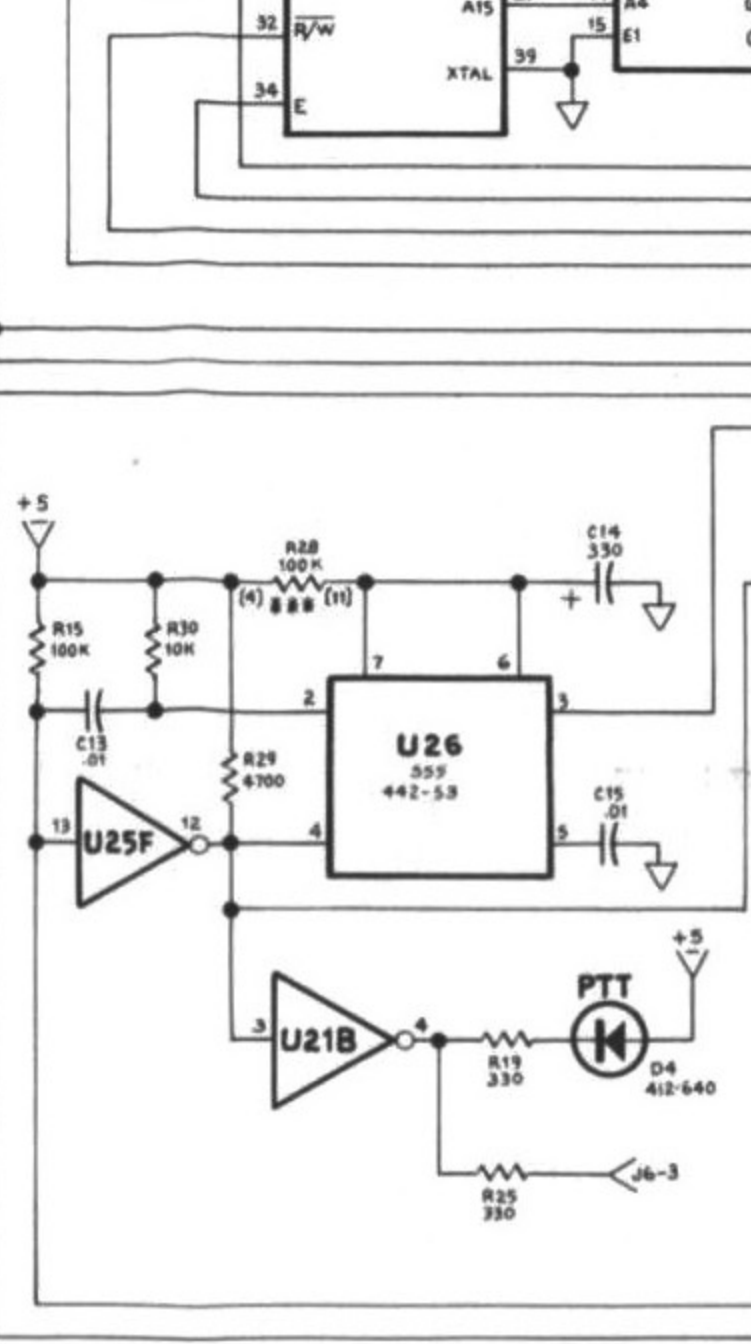
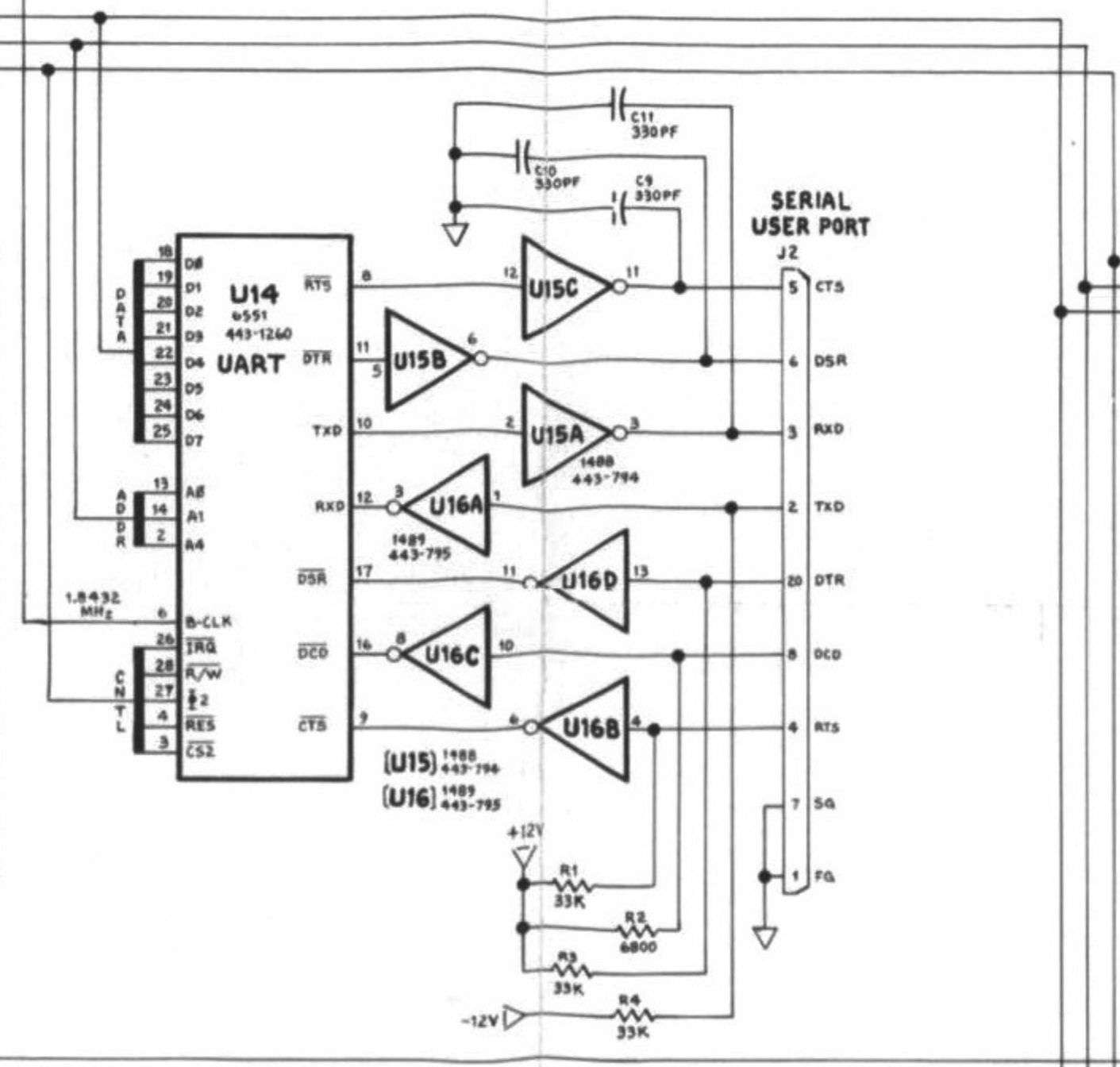
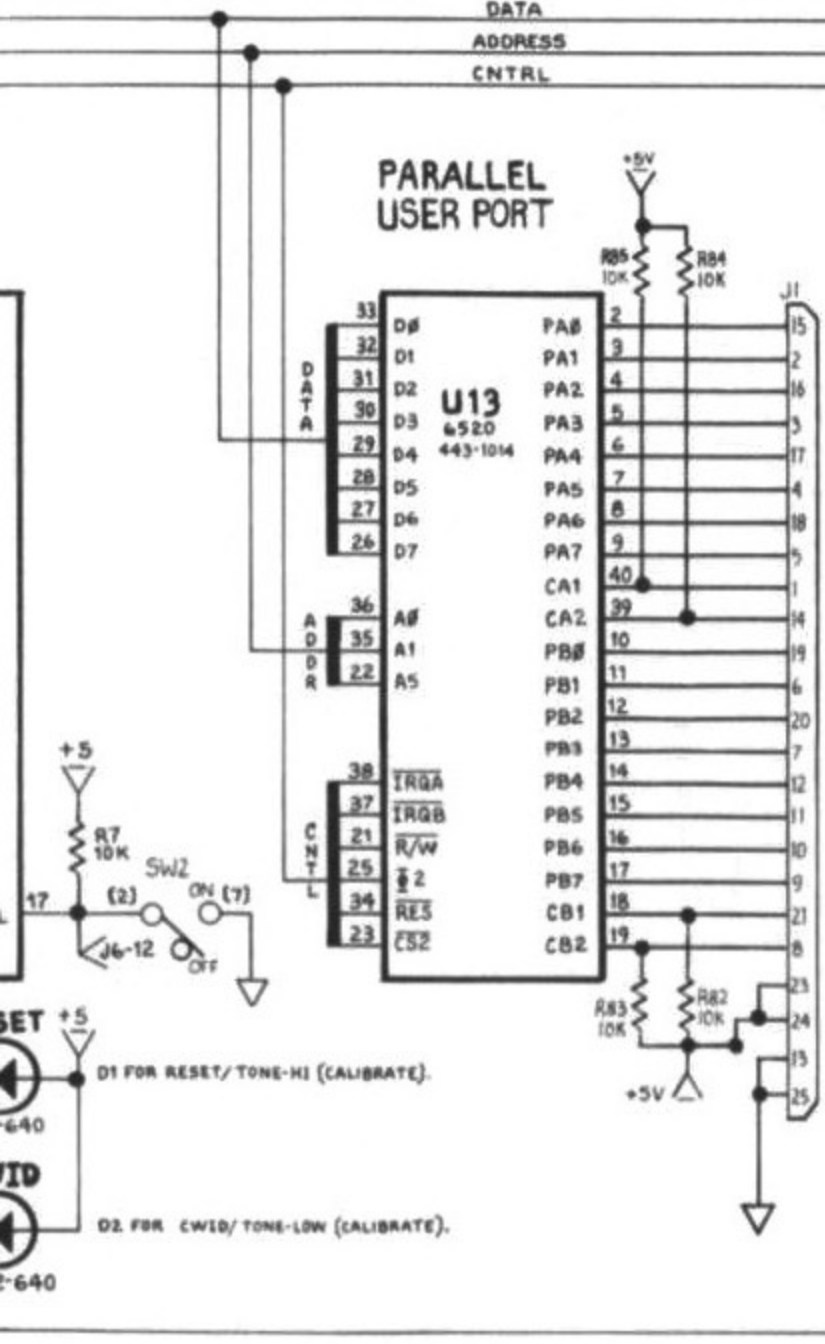
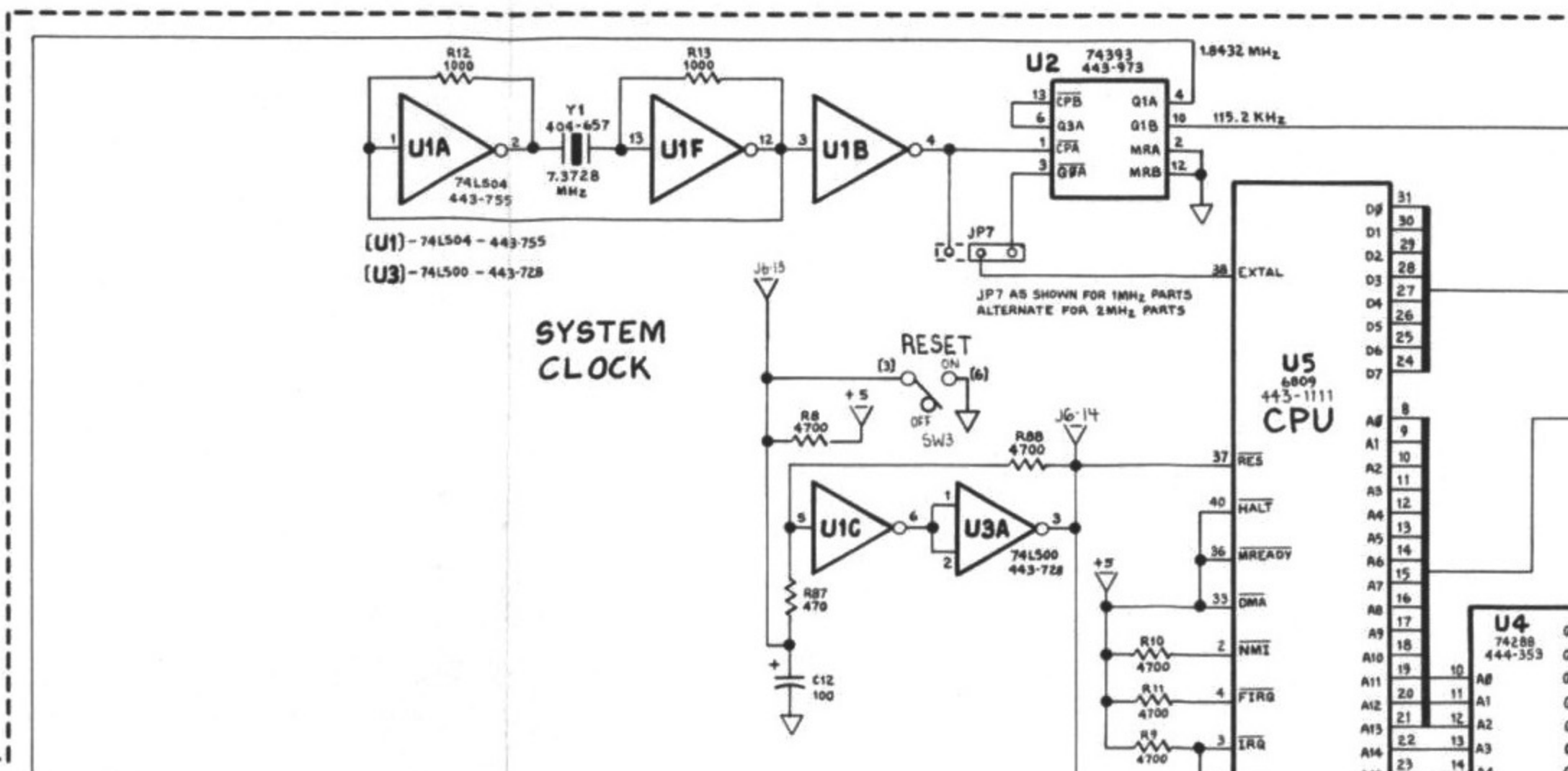
NOTES:

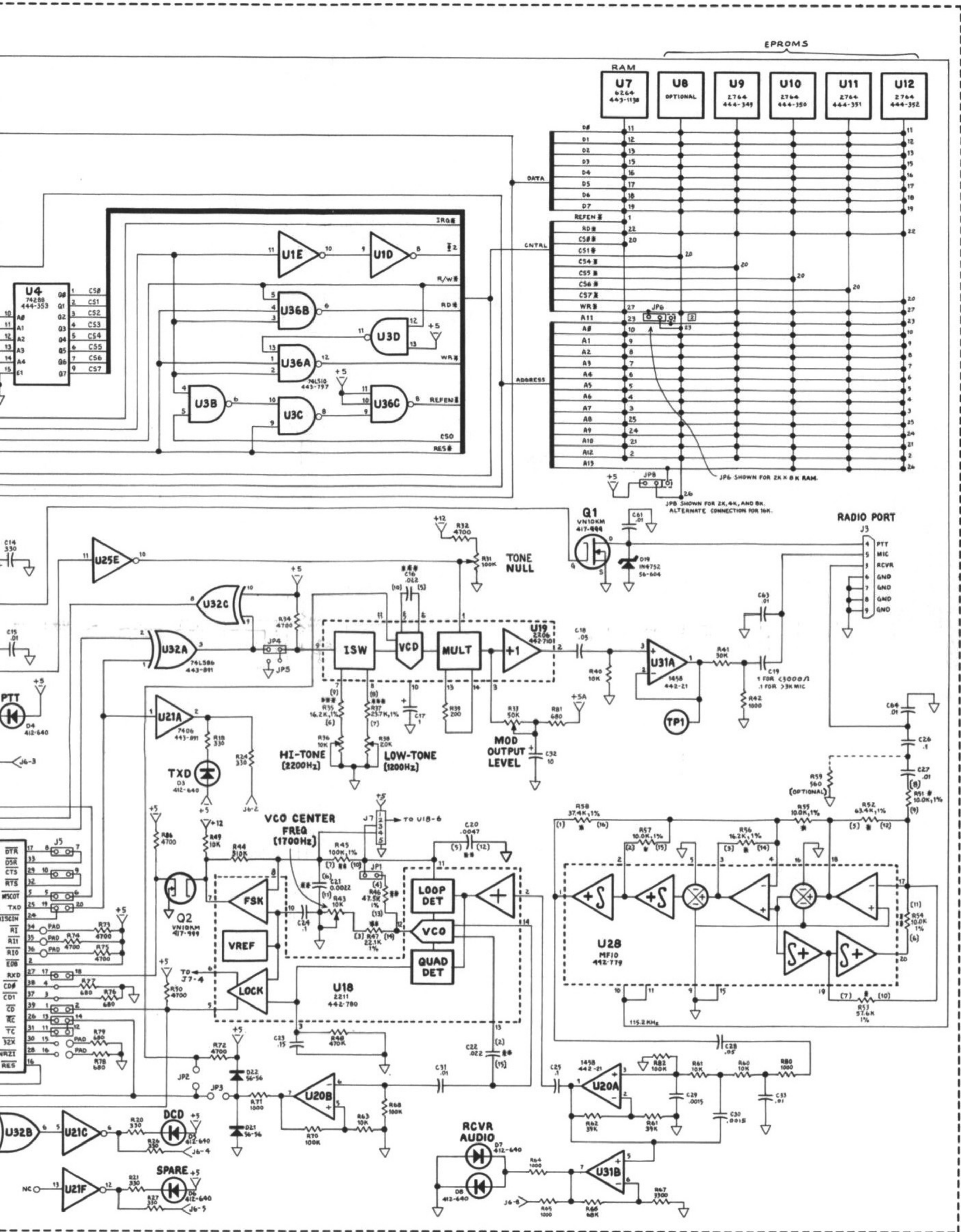
1. ALL RESISTORS ARE 1/4-WATT, 5% AND ARE MARKED IN OHMS (k-1,000; M-1,000,000).
2. ALL CAPACITORS ARE IN μ F (MICROFARADS) UNLESS STATED OTHERWISE.
3. ○ INDICATES A WIRE CONNECTION ON THE CIRCUIT BOARD.
4. ≡ INDICATES CHASSIS GROUND.
5. ▽ INDICATES CIRCUIT BOARD GROUND.
6. ⚡ INDICATES A FEMALE (SOCKET) CONNECTION.
7. → INDICATES A MALE (PLUG) CONNECTION.
8. ⚡ INDICATES A CONNECTION POINT.
9. + INDICATES A NO CONNECTION POINT.
10. **J6-1** INDICATES SOCKET AND PIN NUMBER.
11. NUMBERS SUCH AS (1) OR 8 NEXT TO A COMPONENT INDICATES A PIN NUMBER.
12. { * — U30 16 PIN PLUG.
** — U34 16 PIN PLUG.
*** — U35 14 PIN PLUG.
13. PARTS IN SHADED AREAS IN THE POWER SUPPLY'S PRIMARY CIRCUIT ARE CRITICAL FOR CONTINUED SAFETY. REPLACE THEM ONLY WITH PARTS OF THE SAME RATING OR WITH THE PROPER HEATH PARTS.

Part of 595-3334-01

Copyright © 1985
Heath Company
All Rights Reserved
Printed in the United States of America

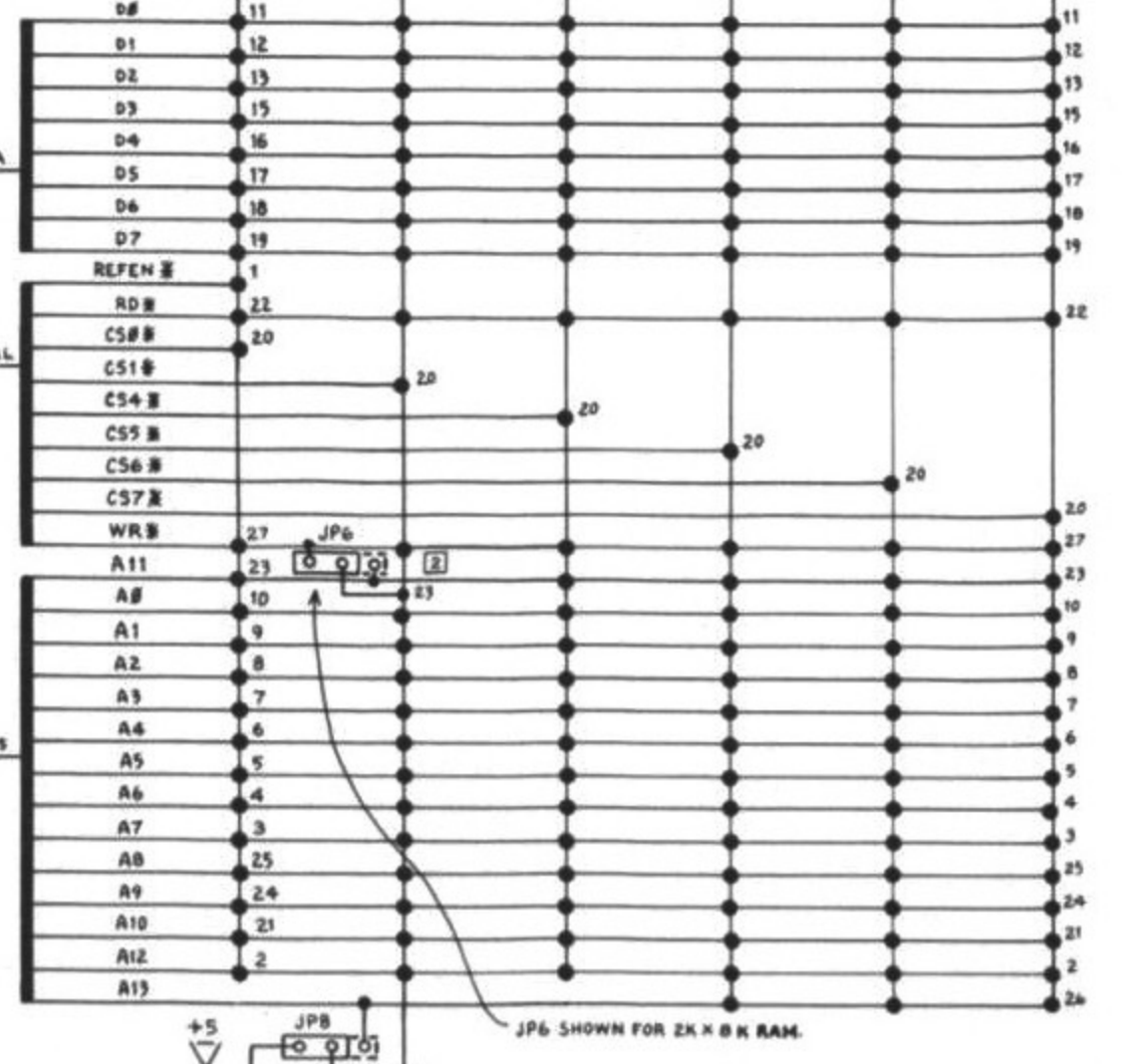




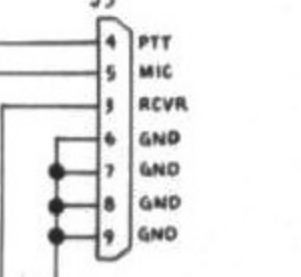


EPROMS

| RAM | U7 | U8 | U9 | U10 | U11 | U12 |
|-----|----------|----------|---------|---------|---------|---------|
| | 6264 | OPTIONAL | 2764 | 2764 | 2764 | 2764 |
| | 443-1138 | | 444-349 | 444-350 | 444-351 | 444-352 |



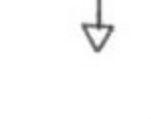
RADIO PORT



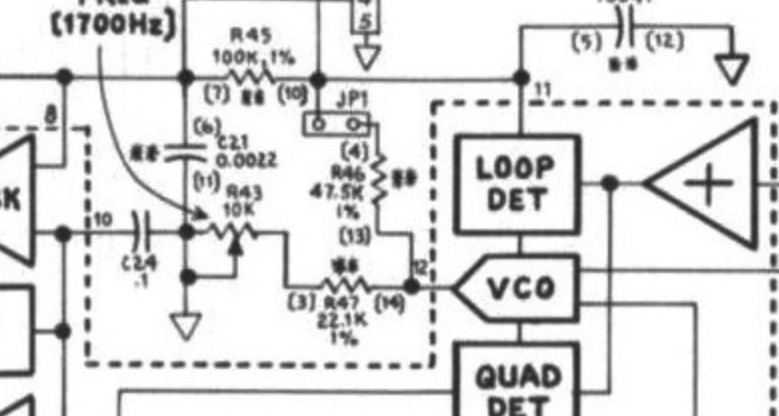
TONE NULL



MOD OUTPUT LEVEL



VCO CENTER FREQ (1700Hz)



RCVR AUDIO

