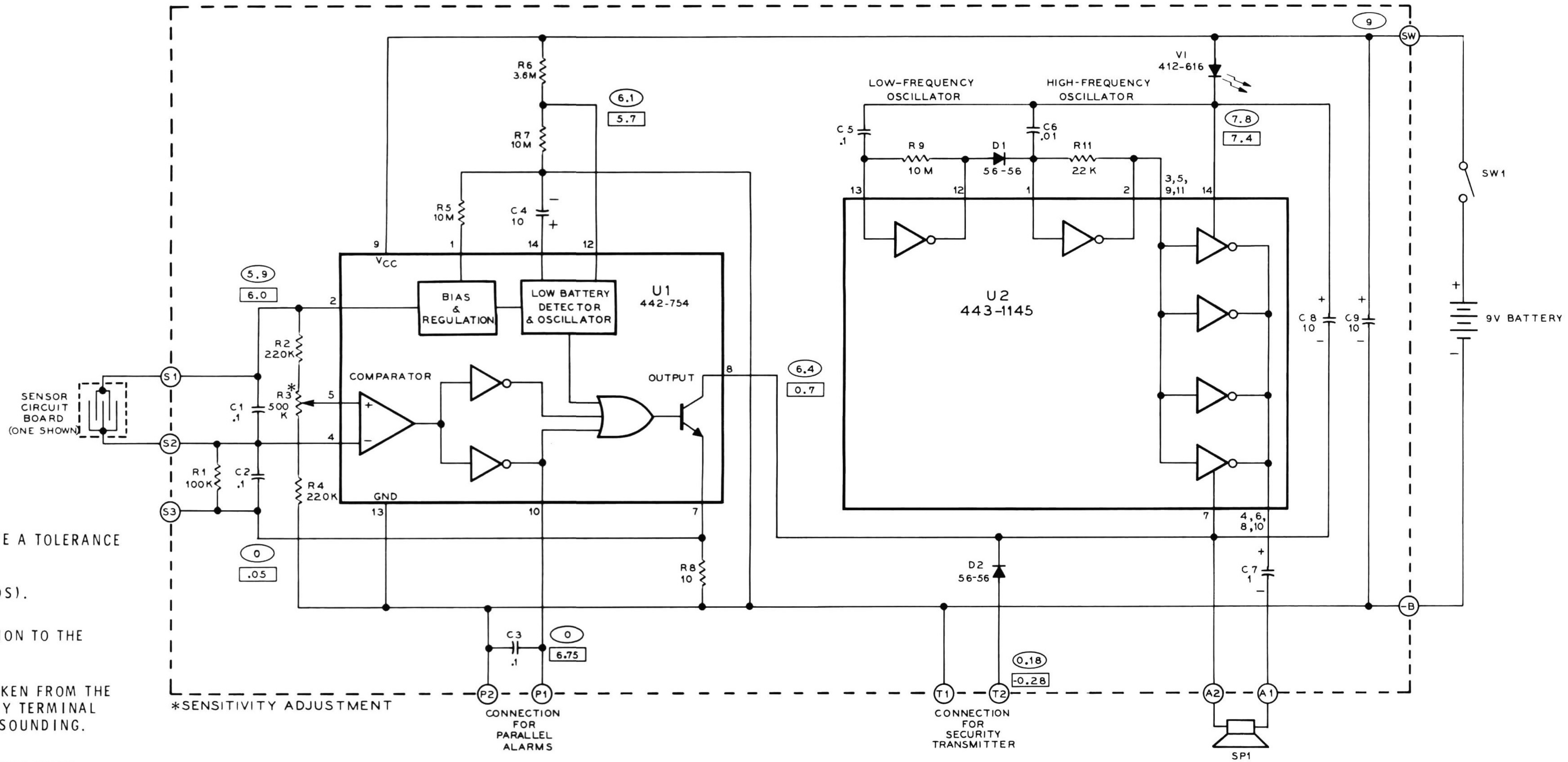


# SCHEMATIC OF THE HEATHKIT® FLOOD ALARM MODEL GD-1701



\*SENSITIVITY ADJUSTMENT

CONNECTION  
FOR  
PARALLEL  
ALARMS

CONNECTION  
FOR  
SECURITY  
TRANSMITTER

SP1

9V BATTERY

## NOTES:

1. ALL RESISTORS ARE RATED AT 1/4-WATT AND HAVE A TOLERANCE OF 5% (K=1000 , M=1,000,000).
2. ALL CAPACITOR VALUES ARE IN  $\mu\text{F}$  (MICROFARADS).
3. ○ THIS SYMBOL INDICATES A WIRE CONNECTION TO THE CIRCUIT BOARD.
4. ○ THIS SYMBOL INDICATES A DC VOLTAGE TAKEN FROM THE POINT INDICATED TO THE NEGATIVE BATTERY TERMINAL WHEN THE ALARM IS TURNED ON, BUT NOT SOUNDING.
5. □ THIS SYMBOL INDICATES A DC VOLTAGE TAKEN FROM THE POINT INDICATED TO THE NEGATIVE BATTERY TERMINAL WHEN THE ALARM IS TURNED ON AND SOUNDING.