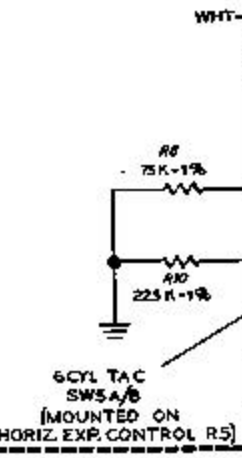


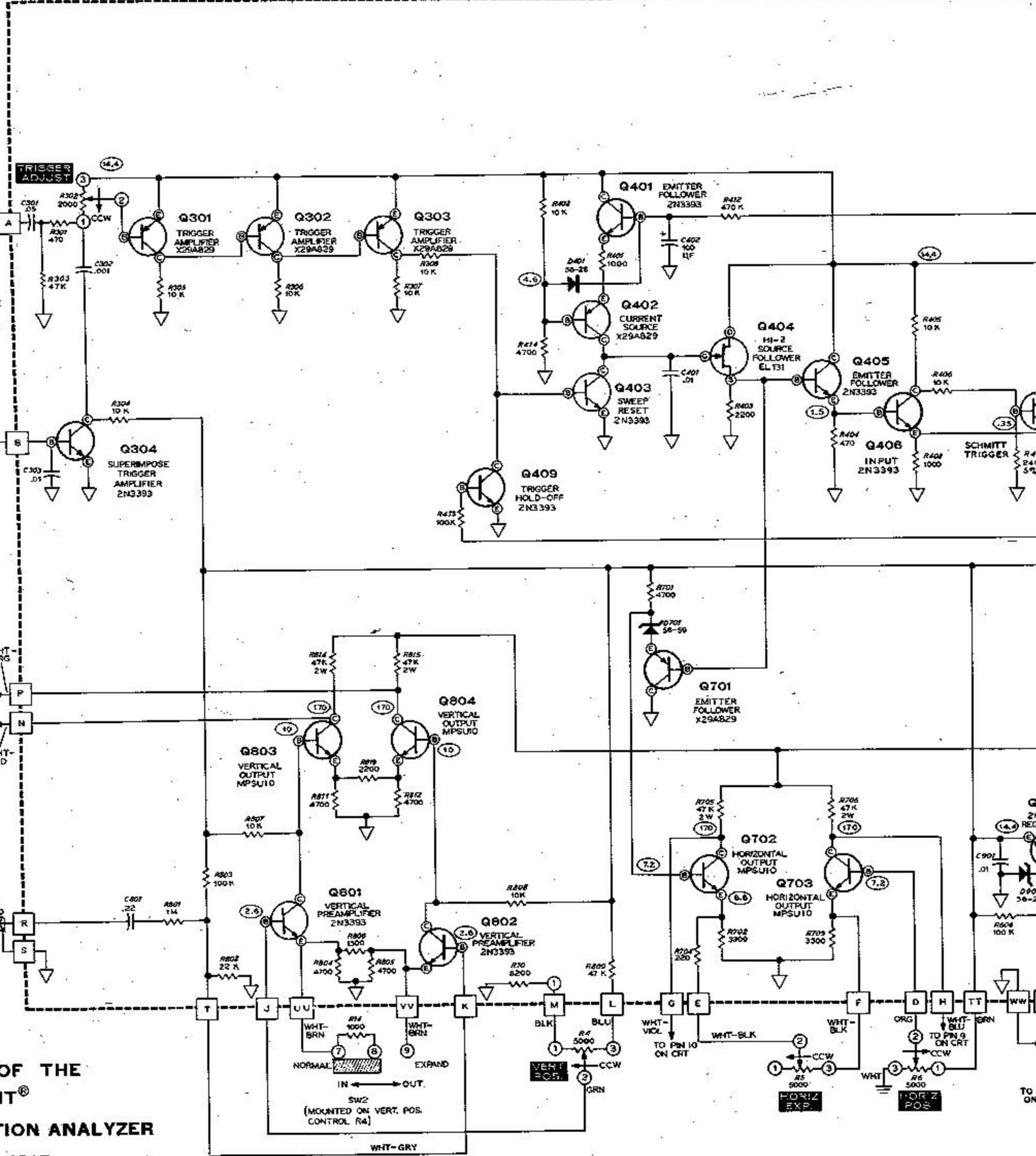
**NOTES:**

1. RESISTORS ARE 1/2 WATT UNLESS MARKED OTHERWISE. RESISTOR VALUES ARE IN OHMS (K-1000, M-1,000,000).
2. CAPACITOR VALUES LESS THAN 1 ARE IN  $\mu$ F. CAPACITOR VALUES 1 OR ABOVE ARE IN pF UNLESS MARKED OTHERWISE.
3. VOLTAGE MEASUREMENTS WERE TAKEN USING A HIGH INPUT IMPEDANCE VOLTMETER FROM THE POINT INDICATED TO CHASSIS GROUND. VOLTAGES MAY VARY  $\pm 20\%$ . MEASUREMENTS OBTAINED WITH SELECTOR SWITCH (SW 1) IN CAL POSITION.
4. ALL PARTS WITHIN THE DASHED LINE AREA ARE MOUNTED ON THE CIRCUIT BOARD.
5. SELECTOR SWITCH SW1 SHOWN IN CALIBRATE POSITION AND VIEWED FROM WAFER END OF SWITCH.
6. SWITCH SW4 SHOWN IN LOW POSITION.
7. SWITCH SW6 SHOWN IN ON POSITION.
8. SWITCHES SW2, SW3, AND SW5 SHOWN IN PUSHED-IN POSITION.
9. ○ THIS SYMBOL INDICATES A DC VOLTAGE MEASURED FROM THE POINT INDICATED TO CHASSIS GROUND.
10. □ THIS SYMBOL INDICATES A NEGATIVE HIGH VOLTAGE MEASURED FROM THE POINT INDICATED TO CHASSIS GROUND. (CAUTION: HIGH VOLTAGE)
11. ▽ THIS SYMBOL INDICATES CIRCUIT GROUND (COMMON FOIL) ON CIRCUIT BOARD.
12. ⊥ THIS SYMBOL INDICATES CHASSIS GROUND.
13. □ THIS SYMBOL INDICATES CIRCUIT BOARD WIRE CONNECTING POINTS.
14. ← ARROW ON CONTROL INDICATES COUNTERCLOCKWISE ROTATION AS VIEWED FROM SHAFT END OF CONTROL.

**SCHMATIC OF THE HEATHKIT® SOLID-STATE IGNITION ANALYZER MODEL CO-1015**



LUG END VIEW OF PICKUP CABLE CONNECTOR SOCKET



**SCHEMATIC OF THE  
HEATHKIT®  
SOLID-STATE IGNITION ANALYZER  
MODEL CO-1015**

