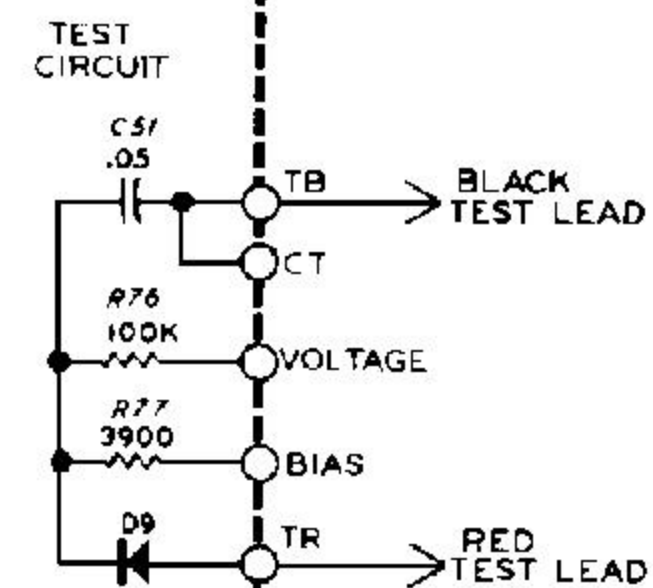
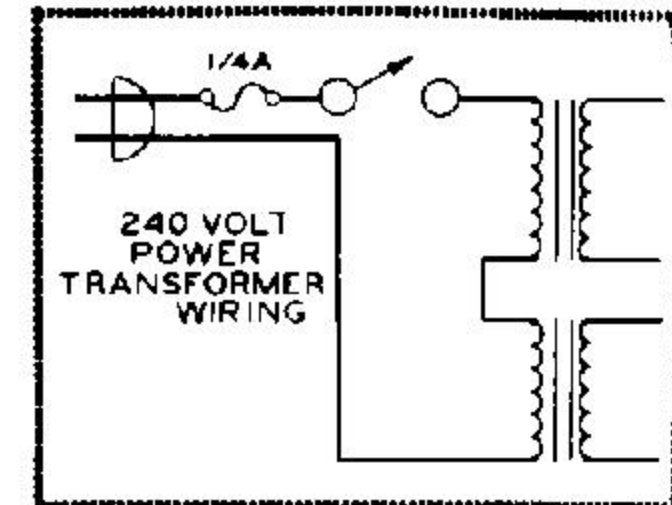
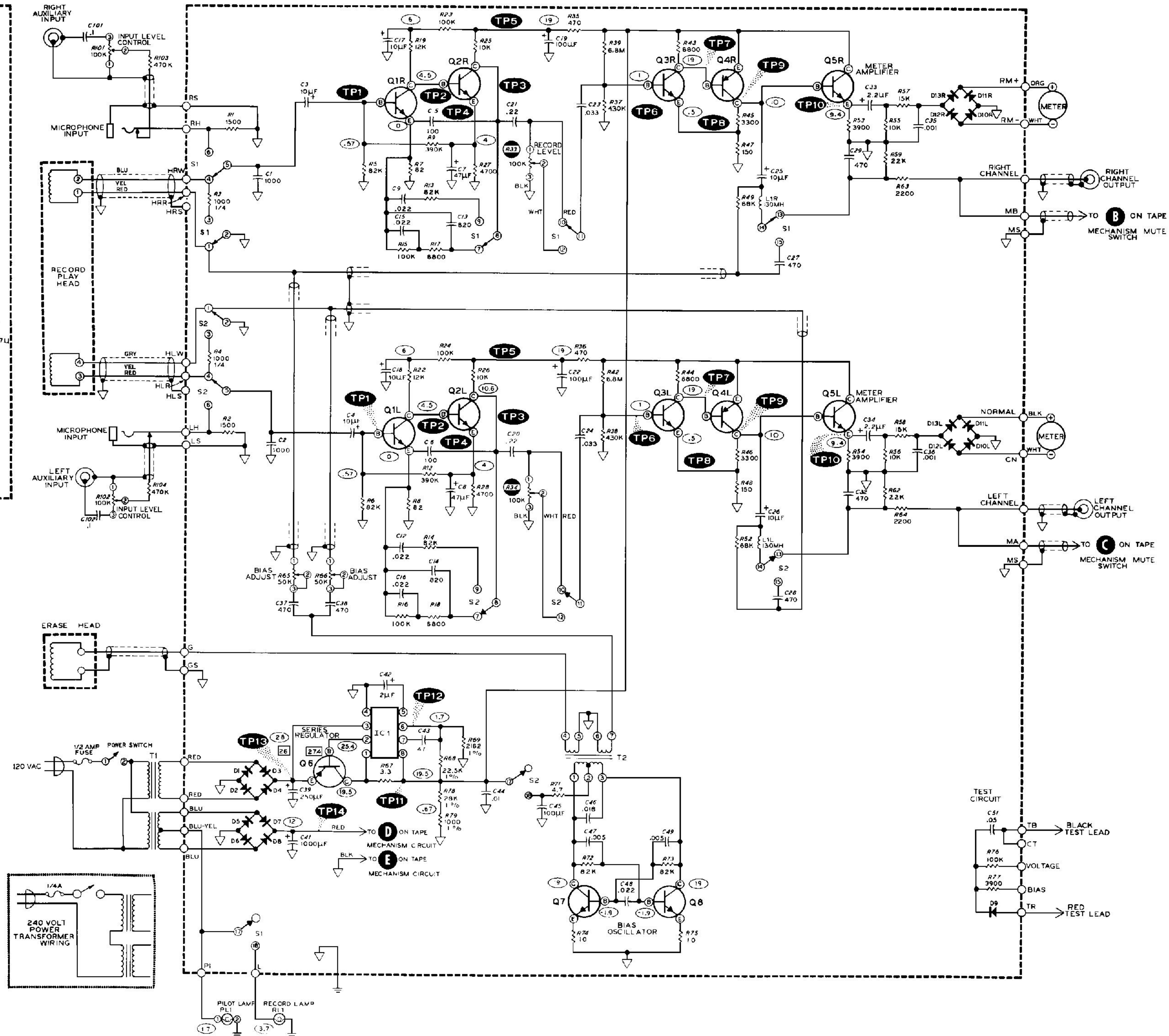


**SCHEMATIC OF THE
HEATHKIT[®]
HI-FIDELITY CASSETTE TAPE DECK
MODEL AD-110**

NOTES

- RESISTORS AND CAPACITORS ARE IN THE FOLLOWING GROUPS:
0-99 PARTS ON THE CIRCUIT BOARD.
100-199 PARTS ON THE CHASSIS.
- ALL RESISTORS ARE 1/2 WATT UNLESS MARKED OTHERWISE. RESISTOR VALUES ARE IN OHMS (K=1,000, M=1,000,000).
- CAPACITOR VALUES LESS THAN 1 ARE IN μ F. VALUES OF 1 AND ABOVE ARE IN PF UNLESS MARKED OTHERWISE.
- ALL SWITCHES ON THE CIRCUIT BOARD ARE SHOWN IN THE "PLAY" POSITION.
- ∇ THIS SYMBOL INDICATES GROUND FOIL ON THE CIRCUIT BOARDS.
- \equiv THIS SYMBOL INDICATES CHASSIS GROUND.
- \bigcirc THIS SYMBOL INDICATES CONNECTING POINTS ON THE CIRCUIT BOARD.
- \bigcirc THIS SYMBOL INDICATES A POSITIVE DC VOLTAGE MEASUREMENT TAKEN WITH A HIGH IMPEDANCE VOLTMETER FROM THE POINT INDICATED TO THE CHASSIS GROUND. VOLTAGES MAY VARY $\pm 20\%$.
- \square THIS SYMBOL INDICATES A POSITIVE DC VOLTAGE MEASUREMENT TAKEN WITH THE SWITCHES IN THE RECORD POSITION.
- \bigcirc THIS SYMBOL INDICATES A CONTROL THAT IS MOUNTED ON THE CHASSIS EVEN THOUGH THE SCHEMATIC SUGGESTS THAT THE PART IS MOUNTED ON THE CIRCUIT BOARD.



TAPE TRANSPORT PARTS PICTORIAL

