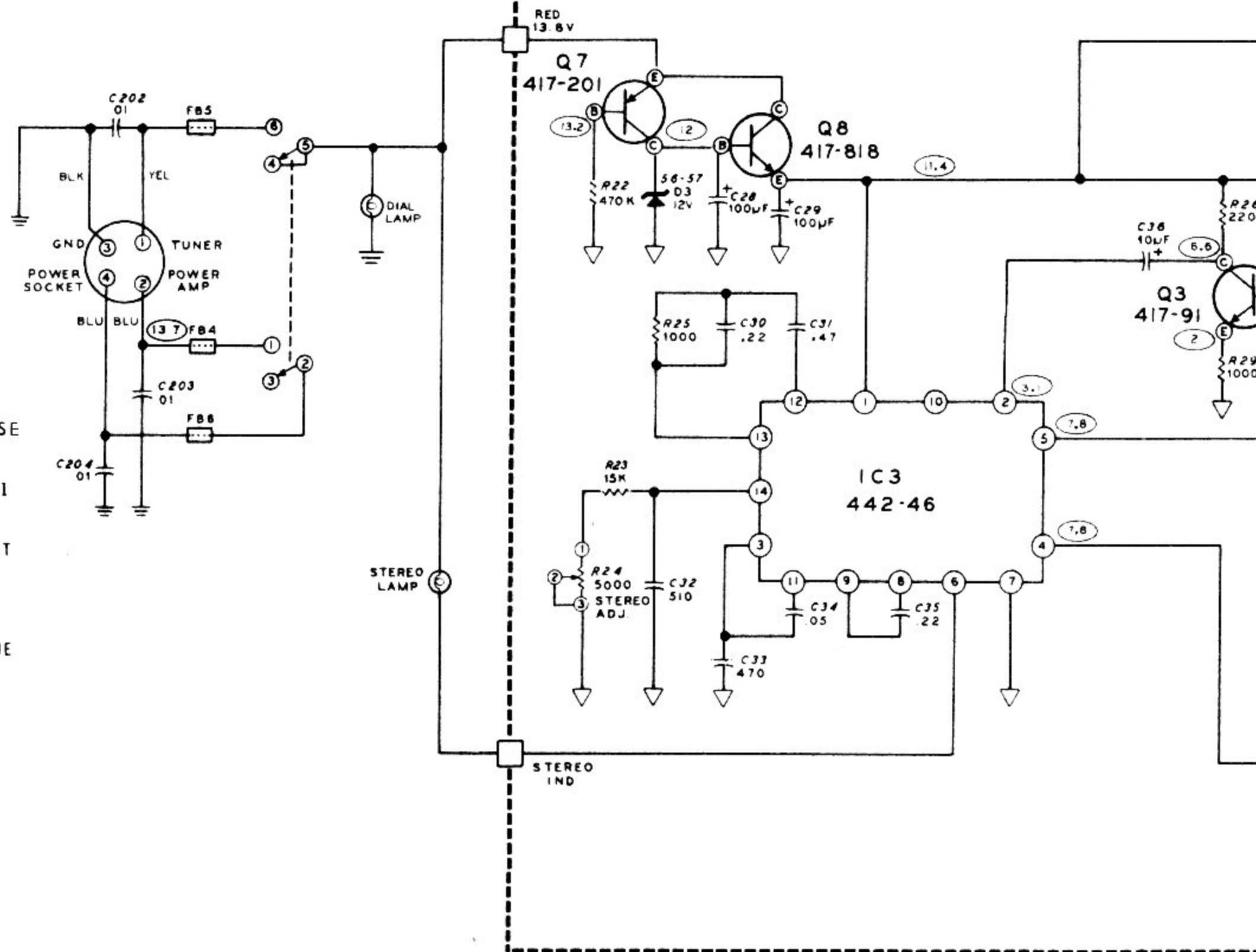


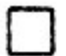




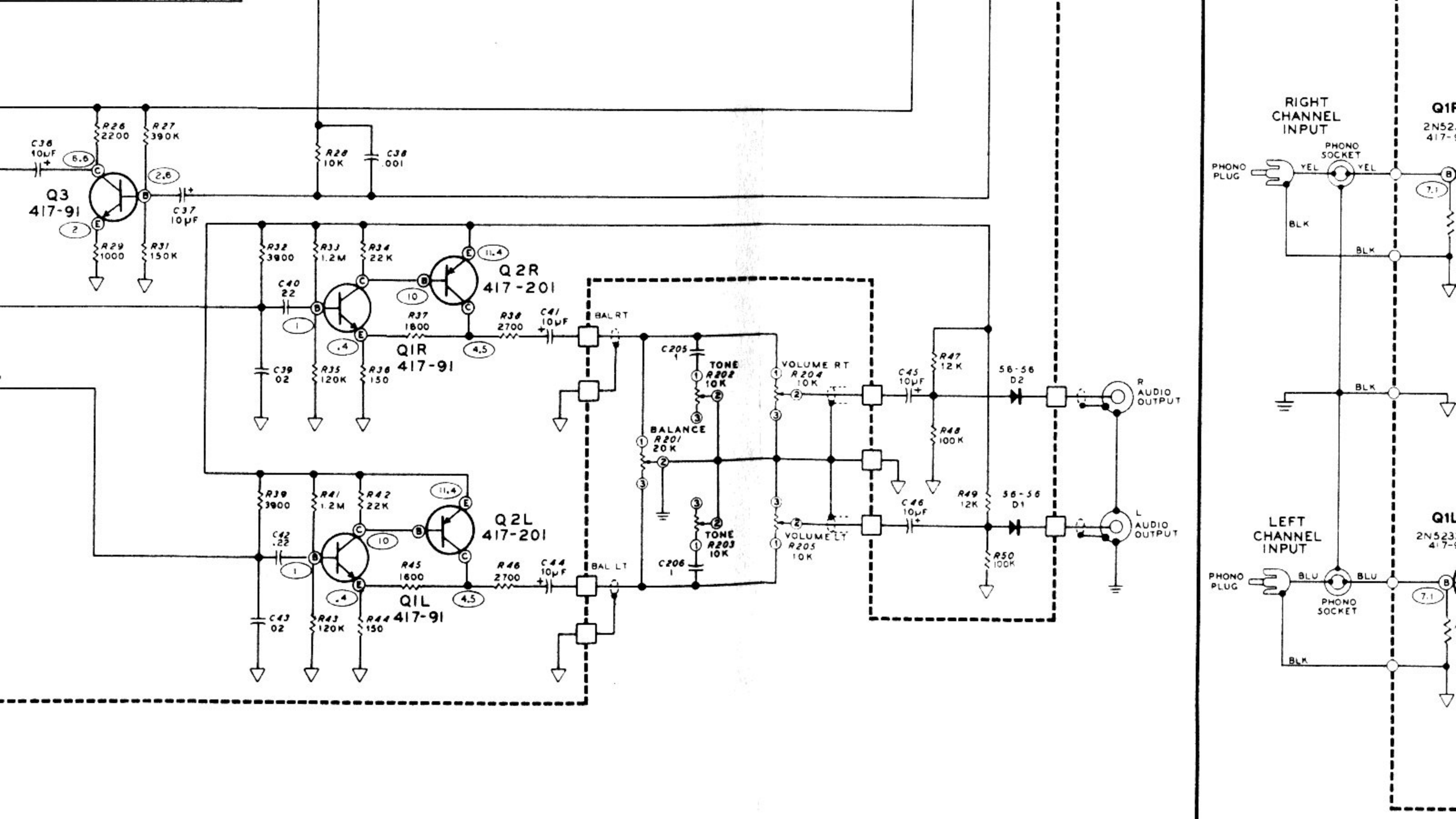
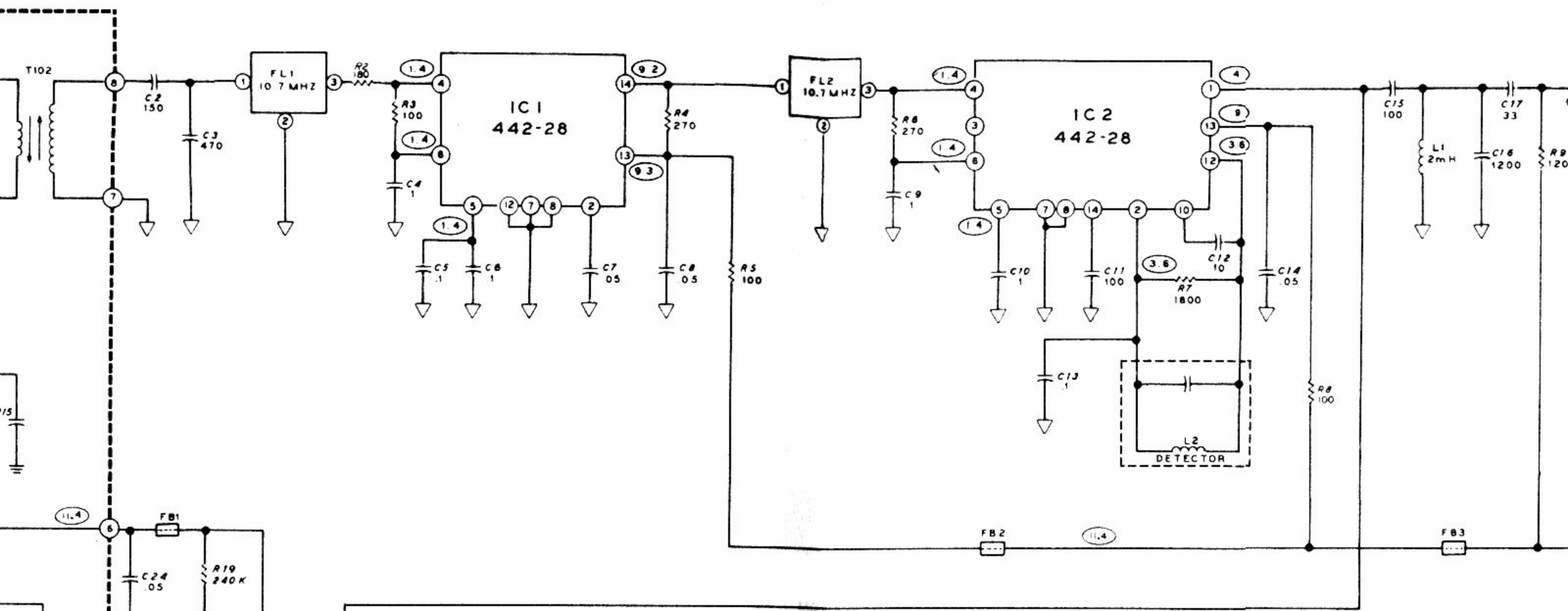


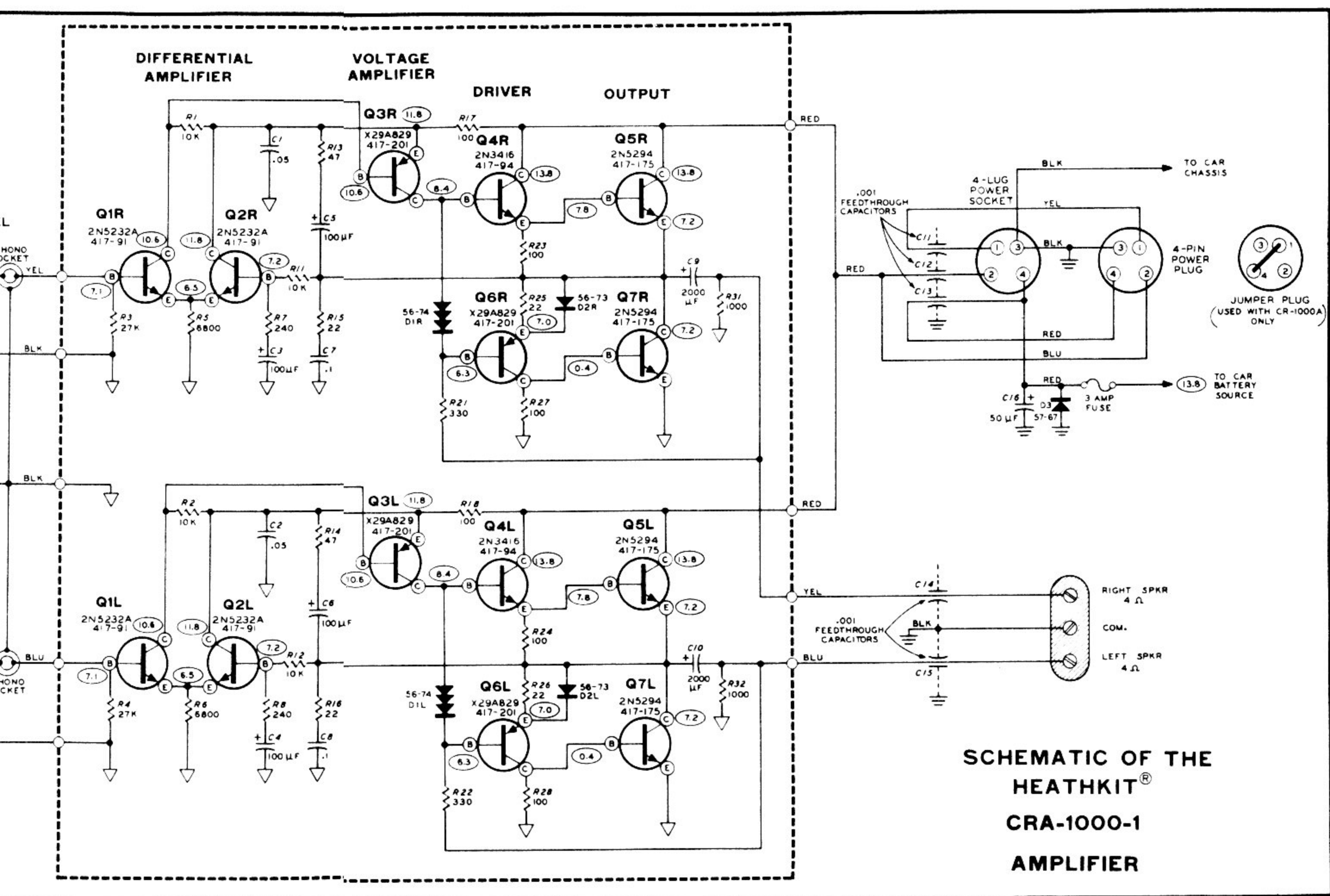
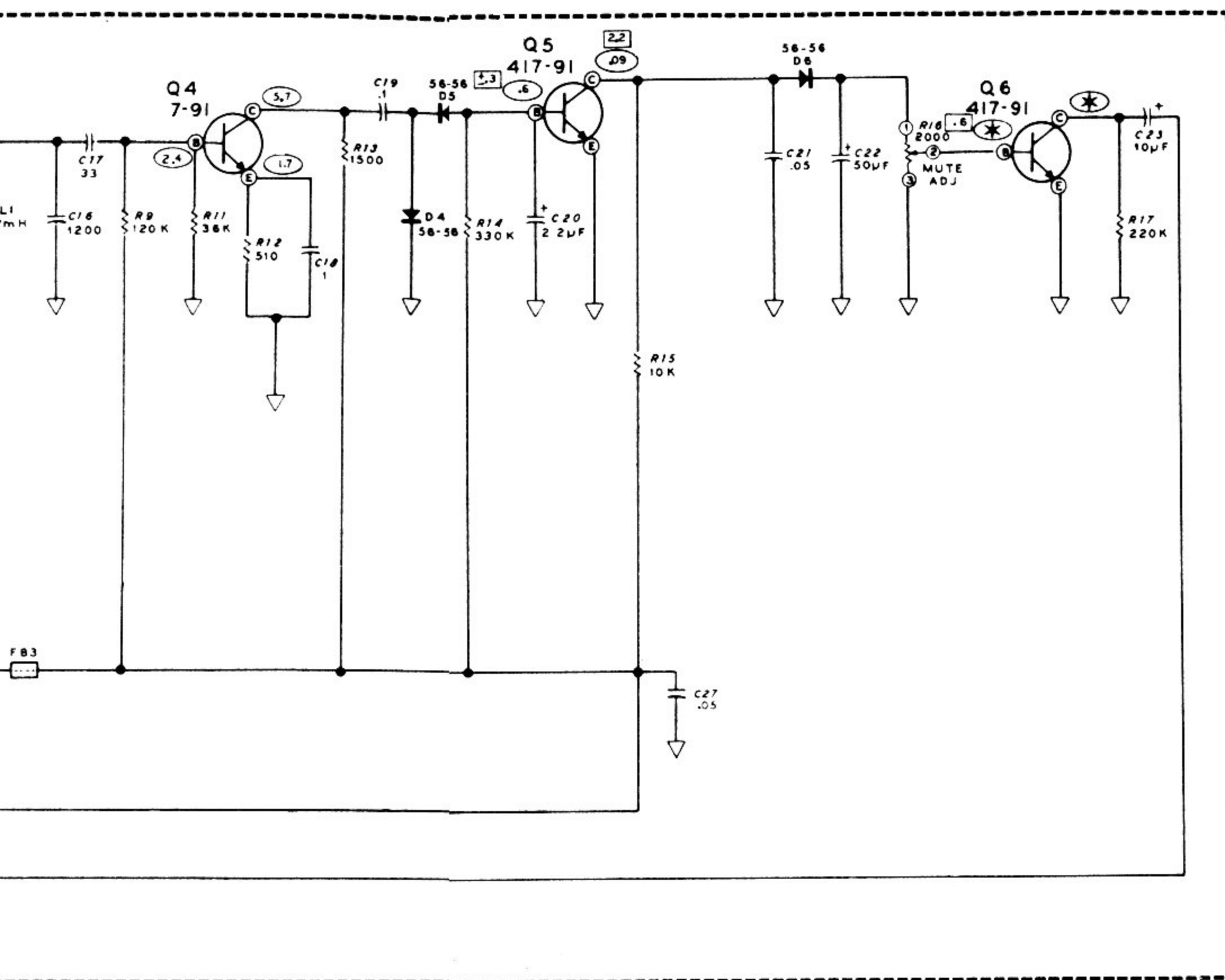
**SCHEMATIC OF THE
HEATHKIT®
FM STEREO TUNER
MODEL CR-1000A**

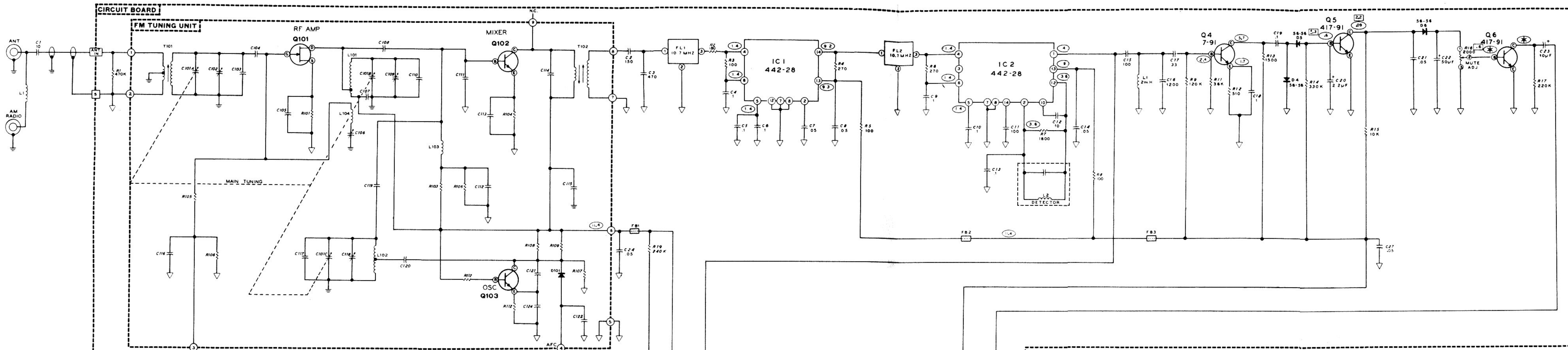


NOTES:

1. ALL RESISTORS ARE 1/2 WATT UNLESS MARKED OTHERWISE. RESISTORS ARE IN OHMS (K=1,000, M=1,000,000).
2. CAPACITOR VALUES LESS THAN 1 ARE IN μ F. VALUES OF 1 AND ABOVE ARE IN μ F UNLESS MARKED OTHERWISE.
3.  THIS SYMBOL INDICATES GROUND FOIL ON A CIRCUIT BOARD.
4.  THIS SYMBOL INDICATES CHASSIS GROUND.
5.  THIS SYMBOL INDICATES CONNECTING POINTS ON THE CIRCUIT BOARD.
6.  FERRITE BEAD SYMBOL.
7.  THIS SYMBOL INDICATES A VOLTAGE MEASUREMENT TAKEN UNDER "NO SIGNAL" CONDITIONS. WITH THE MUTE ACTIVATED.
8.  THIS SYMBOL INDICATES A VOLTAGE MEASUREMENT TAKEN WHEN THERE IS A STEREO SIGNAL PRESENT.
9.  THIS SYMBOL INDICATES A VOLTAGE THAT VARIES ACCORDING TO THE SETTINGS OF R16.
10. ALL VOLTAGE MEASUREMENTS TAKEN WITH A HIGH-IMPEDANCE INPUT VOLTMETER AND MAY VARY $\pm 20\%$.

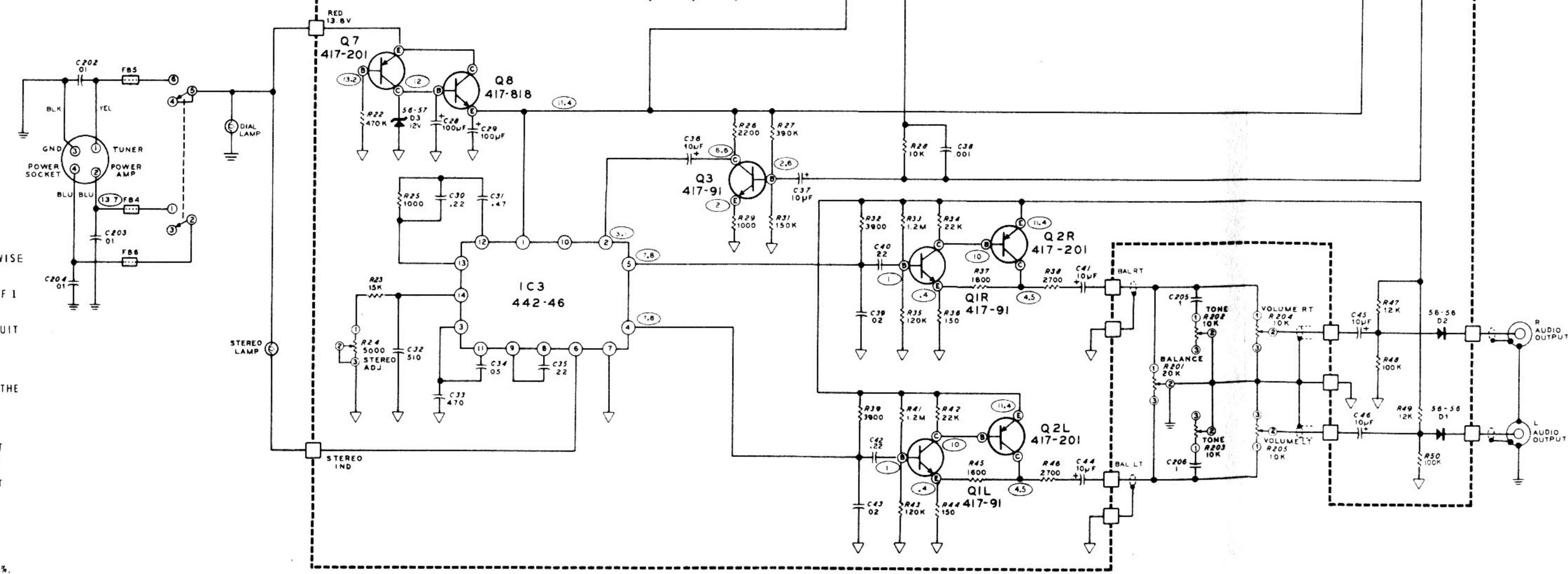






SCHEMATIC OF THE HEATHKIT® FM STEREO TUNER MODEL CR-1000A

- NOTES:
1. ALL RESISTORS ARE 1/2 WATT UNLESS MARKED OTHERWISE. RESISTORS ARE IN OHMS (K-1000, M-1,000,000).
 2. CAPACITOR VALUES LESS THAN 1 ARE IN UF. VALUES OF 1 AND ABOVE ARE IN PF UNLESS MARKED OTHERWISE.
 3. THIS SYMBOL INDICATES GROUND FOIL ON A CIRCUIT BOARD.
 4. THIS SYMBOL INDICATES CHASSIS GROUND.
 5. THIS SYMBOL INDICATES CONNECTING POINTS ON THE CIRCUIT BOARD.
 6. THIS SYMBOL INDICATES A FERRITE BEAD SYMBOL.
 7. THIS SYMBOL INDICATES A VOLTAGE MEASUREMENT TAKEN UNDER "NO SIGNAL" CONDITIONS. WITH THE MUTE ACTIVATED.
 8. THIS SYMBOL INDICATES A VOLTAGE MEASUREMENT TAKEN WHEN THERE IS A STEREO SIGNAL PRESENT.
 9. THIS SYMBOL INDICATES A VOLTAGE THAT VARIES ACCORDING TO THE SETTINGS OF R16.
 10. ALL VOLTAGE MEASUREMENTS TAKEN WITH A HIGH-IMPEDANCE INPUT VOLTMETER AND MAY VARY ± 20%.



SCHEMATIC OF THE HEATHKIT® CRA-1000-1 AMPLIFIER

