

SCHEMATIC OF THE HEATHKIT®

MODEL IM-4130 / SM-4130 FREQUENCY/PERIOD METER

NOTES:

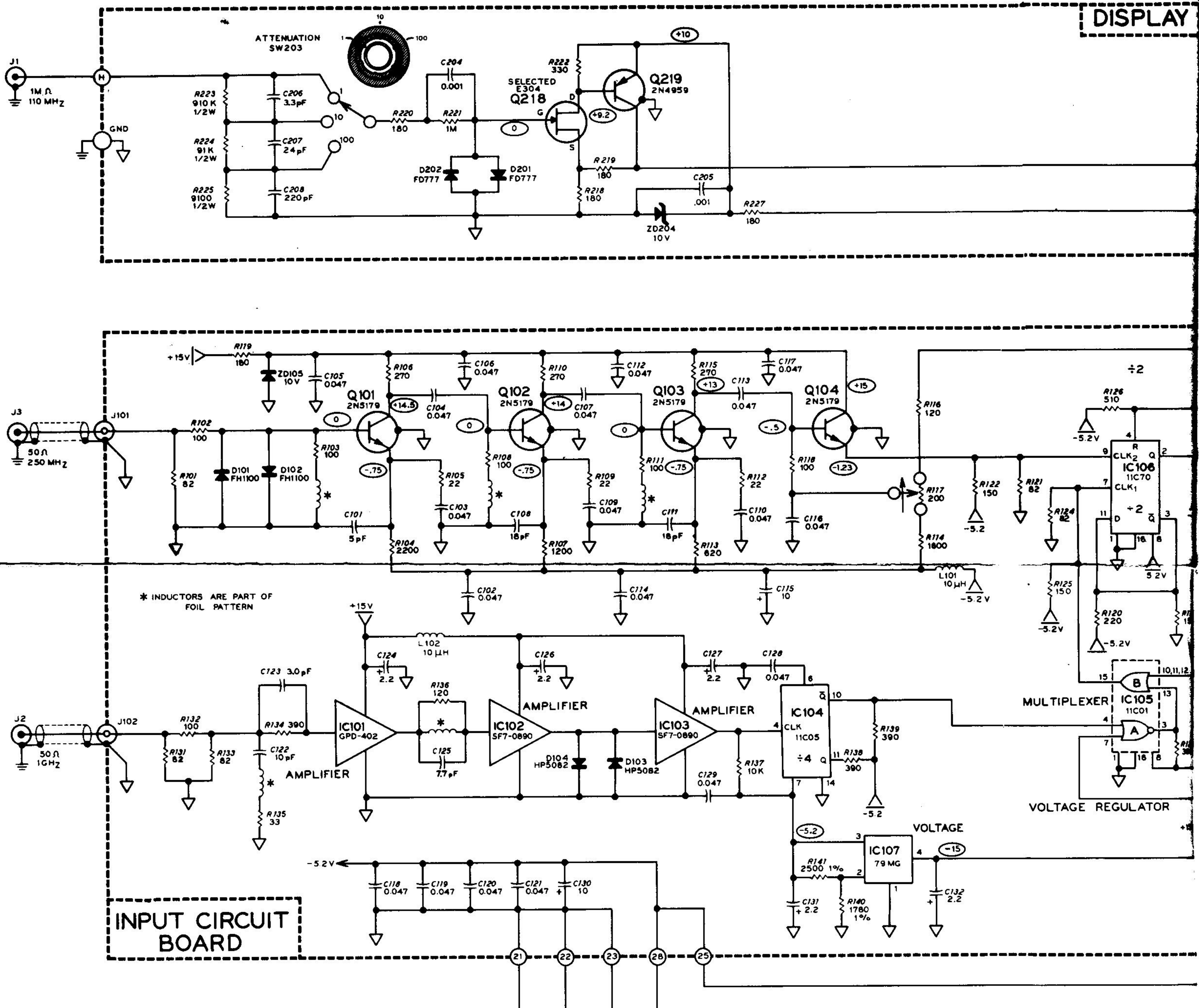
1. COMPONENTS ARE NUMBERED IN THE FOLLOWING GROUPS:




1- 99	MOUNTED ON CHASSIS.
101-199	MOUNTED ON INPUT CIRCUIT BOARD.
201-299	MOUNTED ON DISPLAY CIRCUIT BOARD.
301-399	MOUNTED ON MAIN CIRCUIT BOARD.

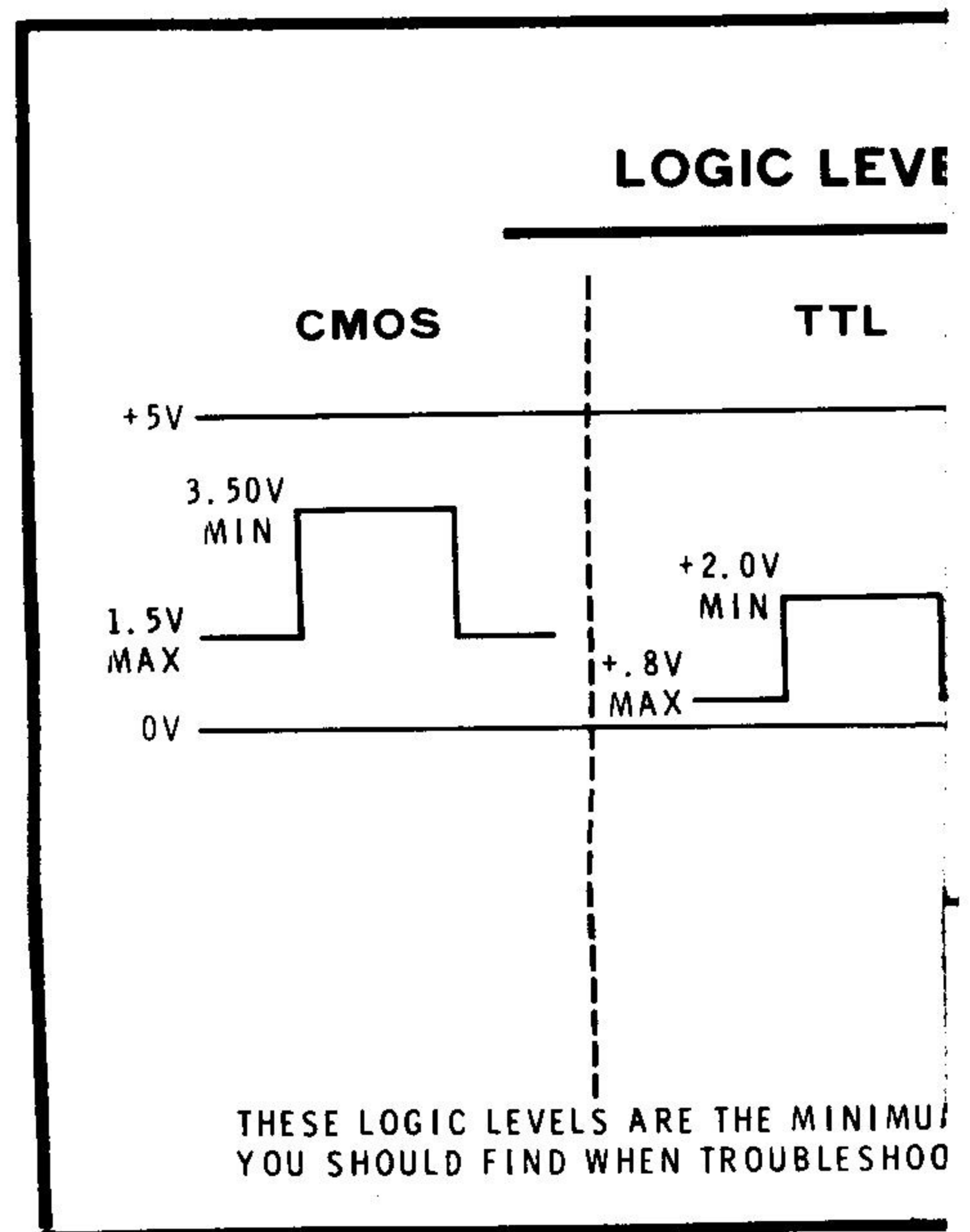
3. THIS SYMBOL INDICATES CHASSIS GROUND.
4. THIS SYMBOL WITH A LETTER INDICATES A CIRCUIT BOARD WIRE CONNECTION. THIS SYMBOL WITH NUMBER INDICATES A CIRCUIT BOARD-TO-CIRCUIT BOARD "F-PIN" CONNECTION.
5. THIS SYMBOL INDICATES A DC VOLTAGE MEASUREMENT TAKEN WITH A HIGH-IMPEDANCE INPUT VOLTAGE METER FROM THE POINT INDICATED TO CIRCUIT GROUND.

Copyright © 1977
Heath Company
All Rights Reserved
Printed in the United States of America

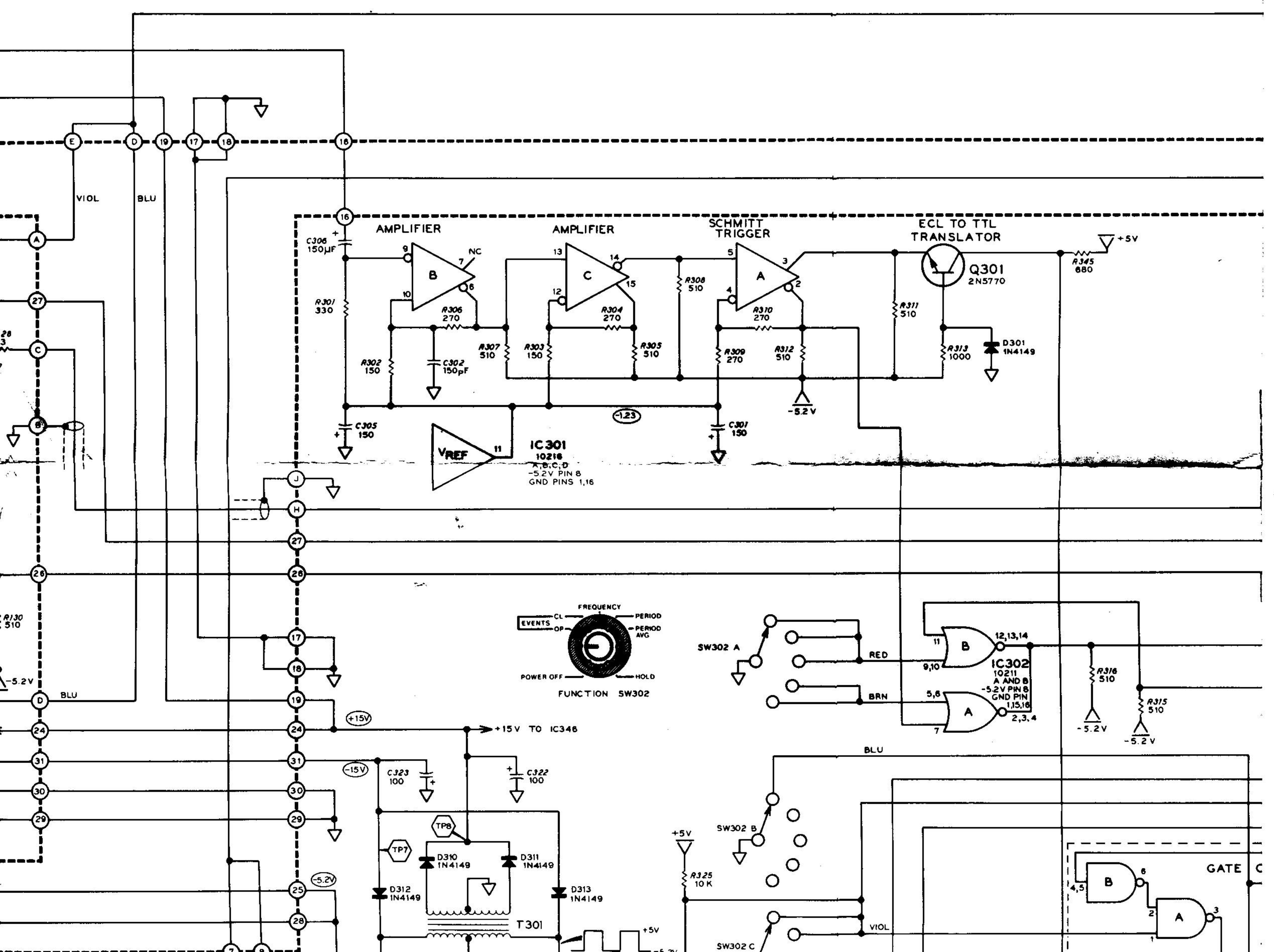
Part of 595-1915-01



6.  THIS SYMBOL INDICATES A CONNECTION TO A VOLTAGE SOURCE.
7.  THIS SYMBOL INDICATES A TEST POINT.
8.  ARROW INDICATES CLOCKWISE ROTATION.
9. ALL RESISTORS ARE 1/4-WATT, 5% UNLESS MARKED OTHERWISE. RESISTOR VALUES ARE IN OHMS (K=1,000, M=1,000,000).
10. CAPACITORS ARE IN μF (MICROFARADS) UNLESS MARKED OTHERWISE.
11. PARTS IN SHADED AREAS ARE CRITICAL FOR CONTINUED SAFETY. REPLACE THEM ONLY WITH PARTS OF THE SAME RATING OR WITH THE PROPER HEATH PARTS.
12. IC PINS NOT SHOWN, ARE NOT CONNECTED IN THE CIRCUITS.



CIRCUIT BOARD

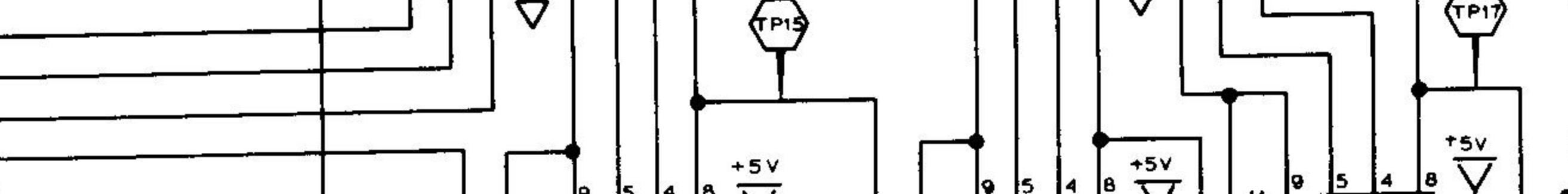
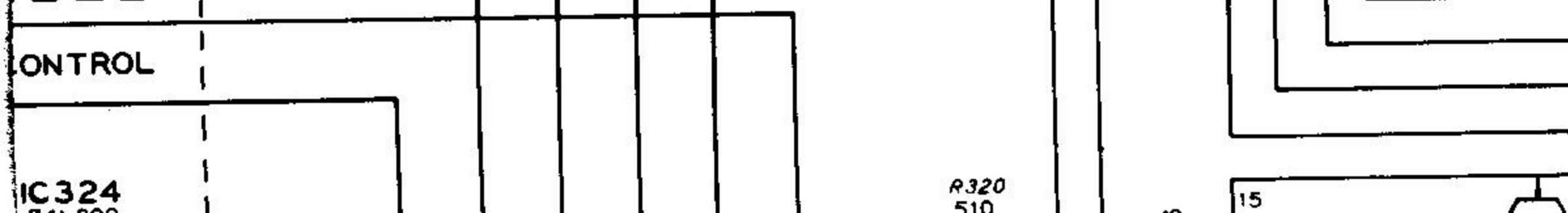
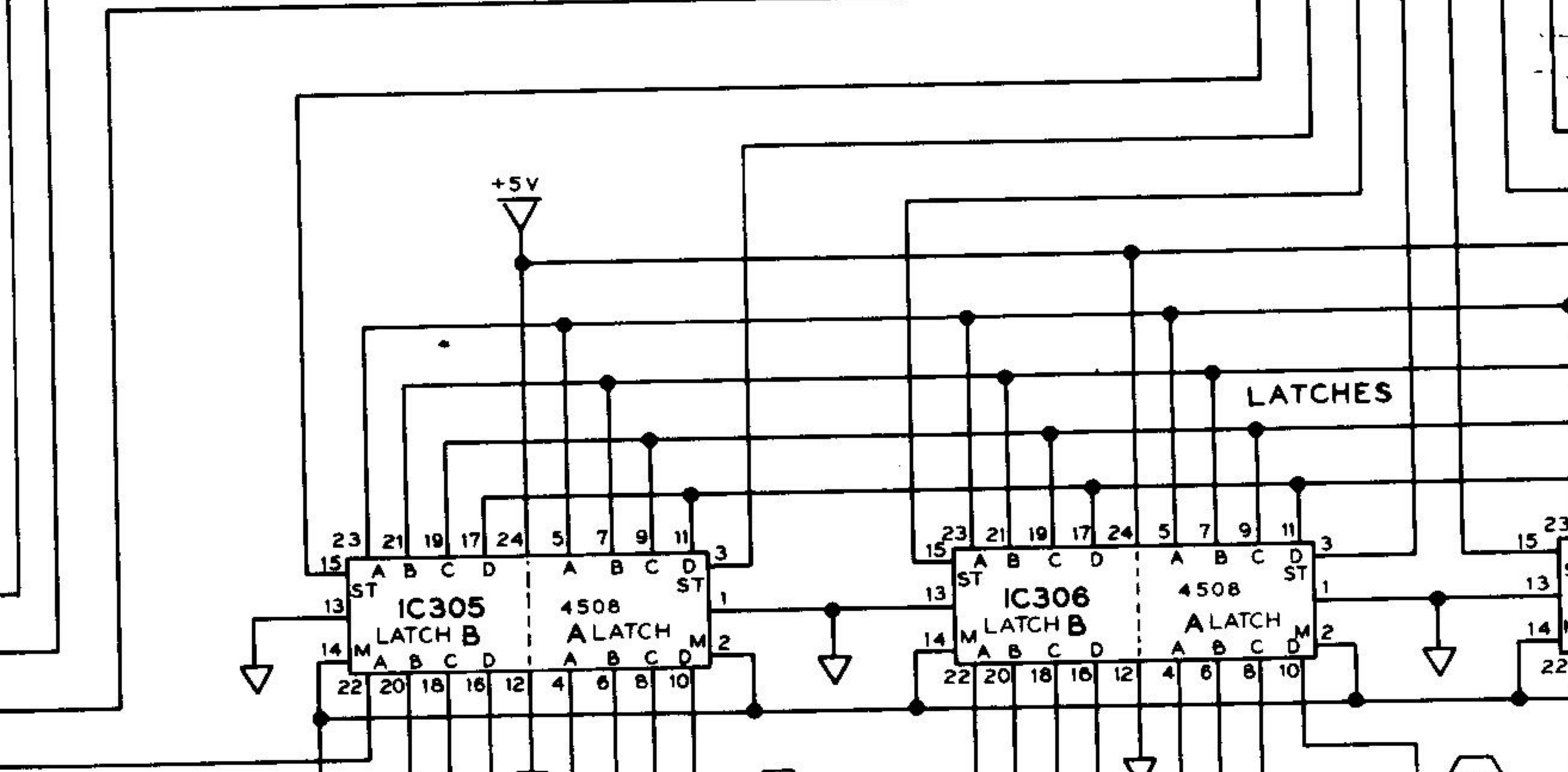
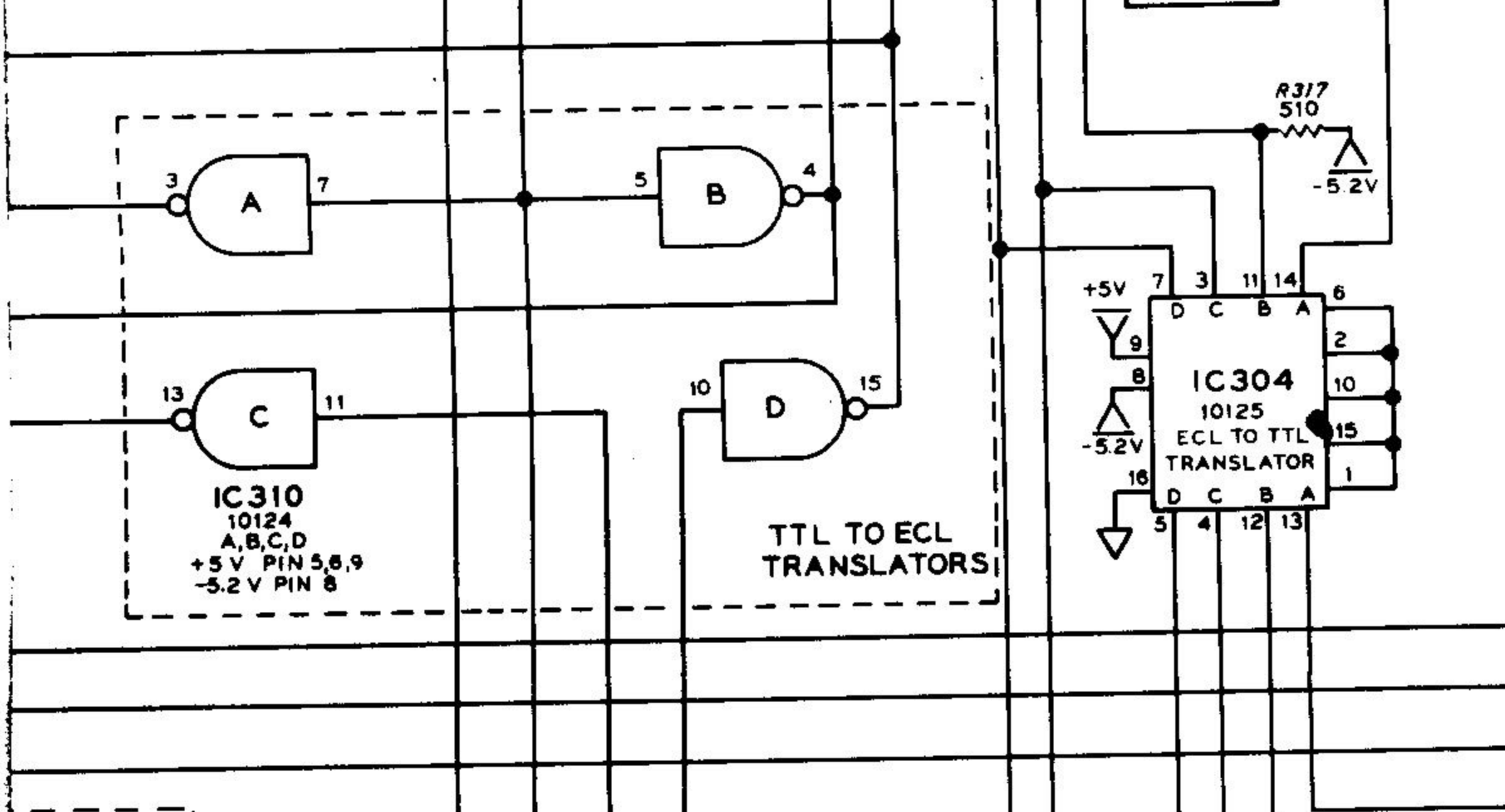
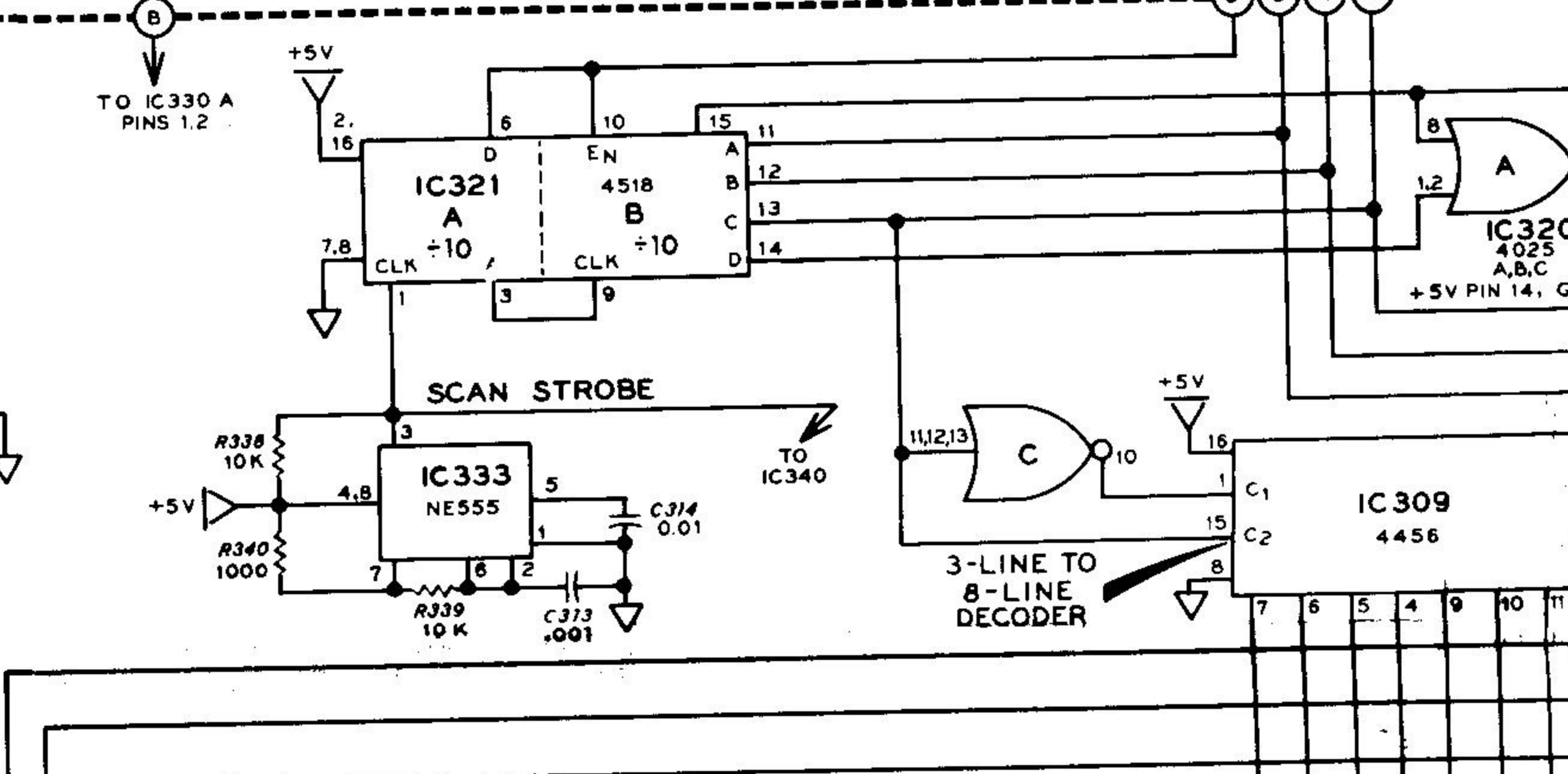
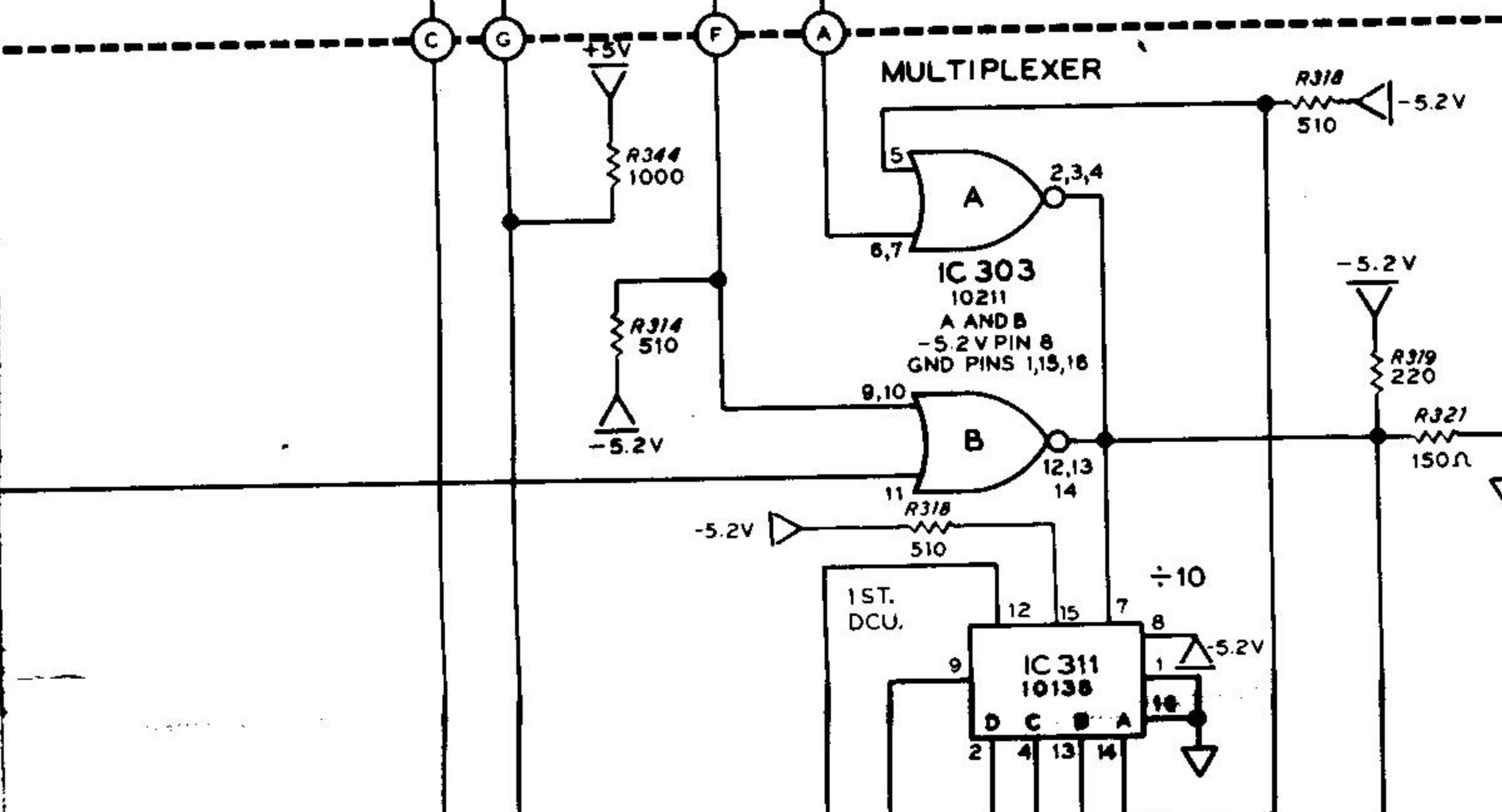
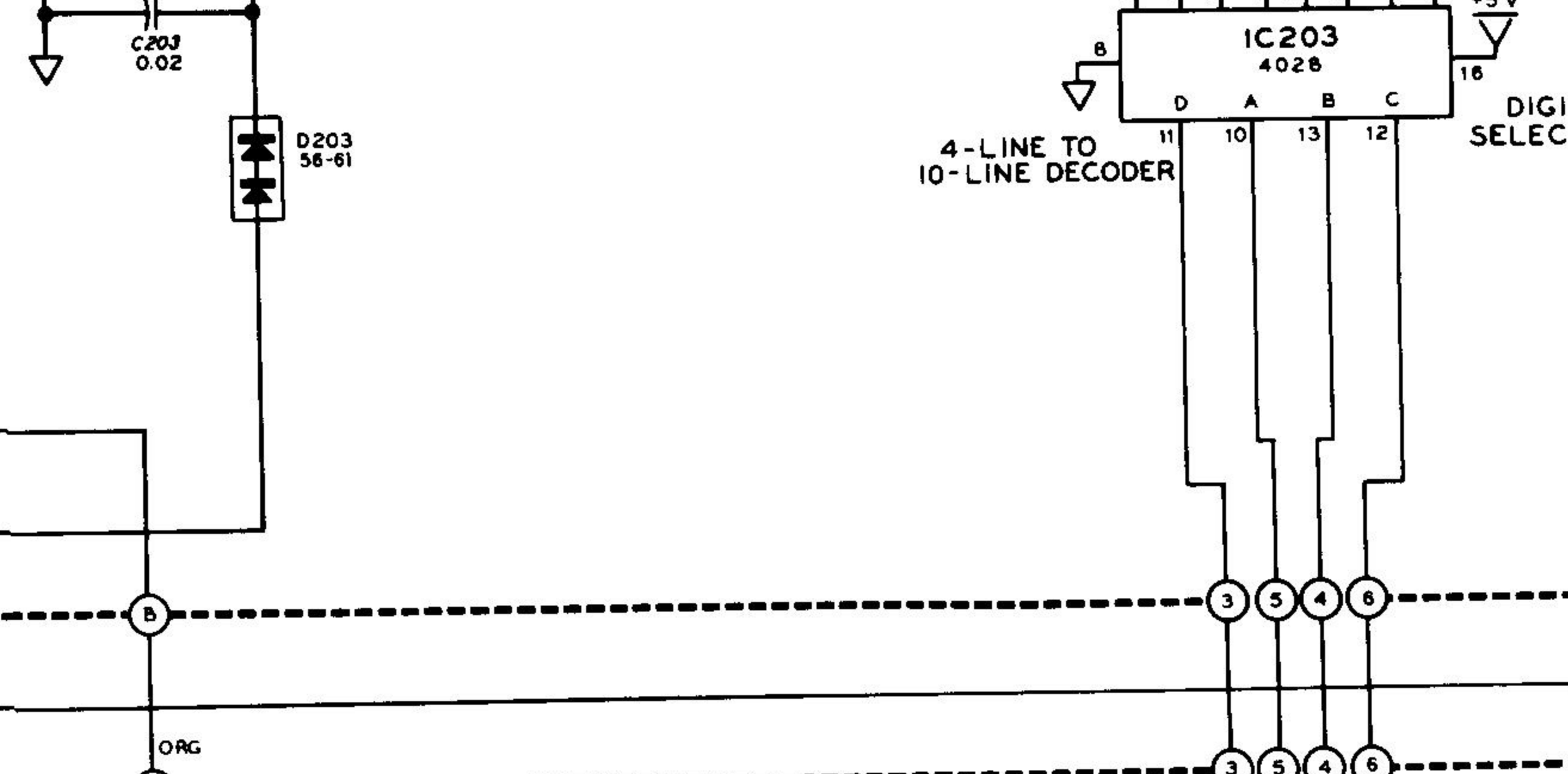
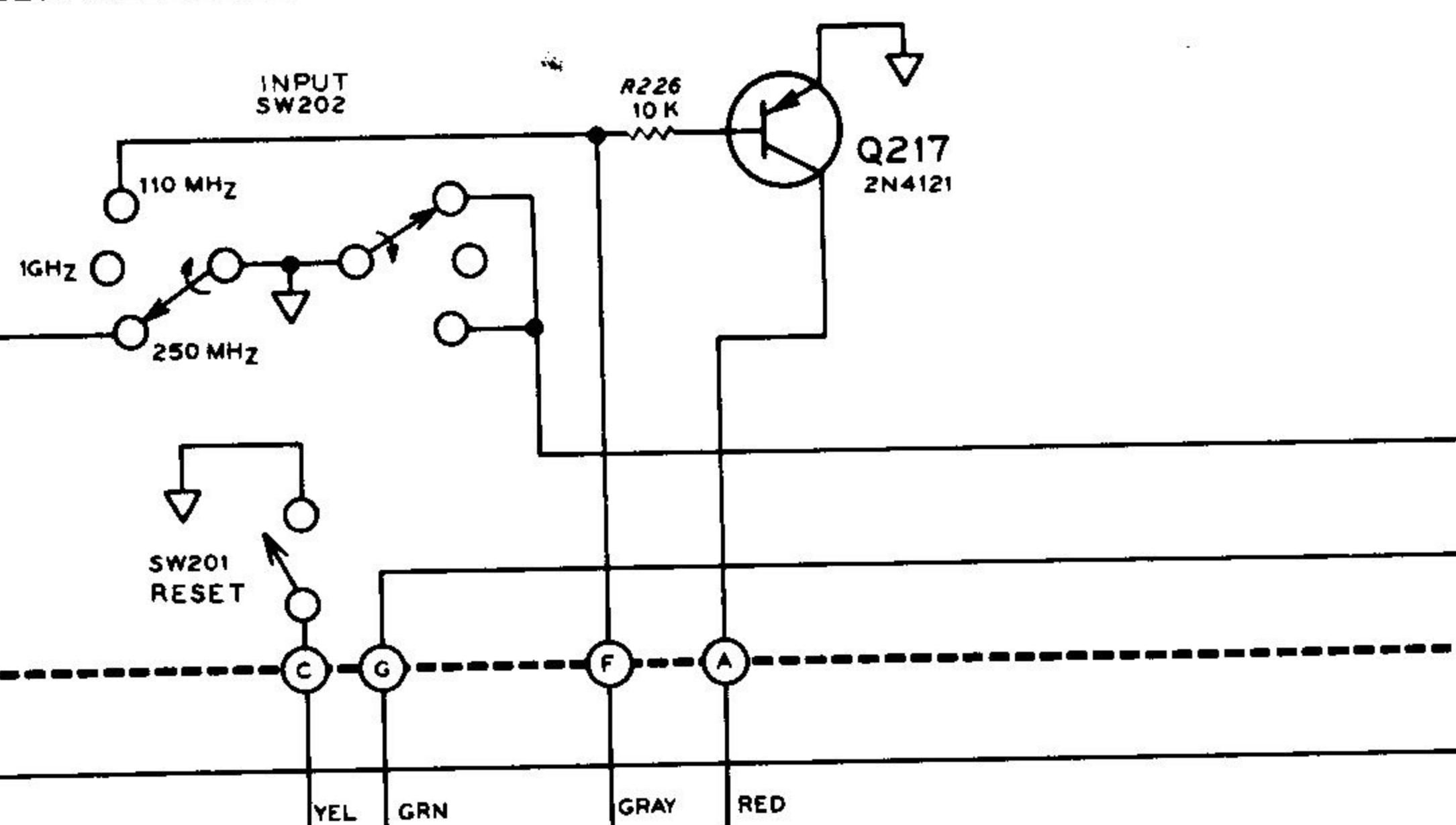
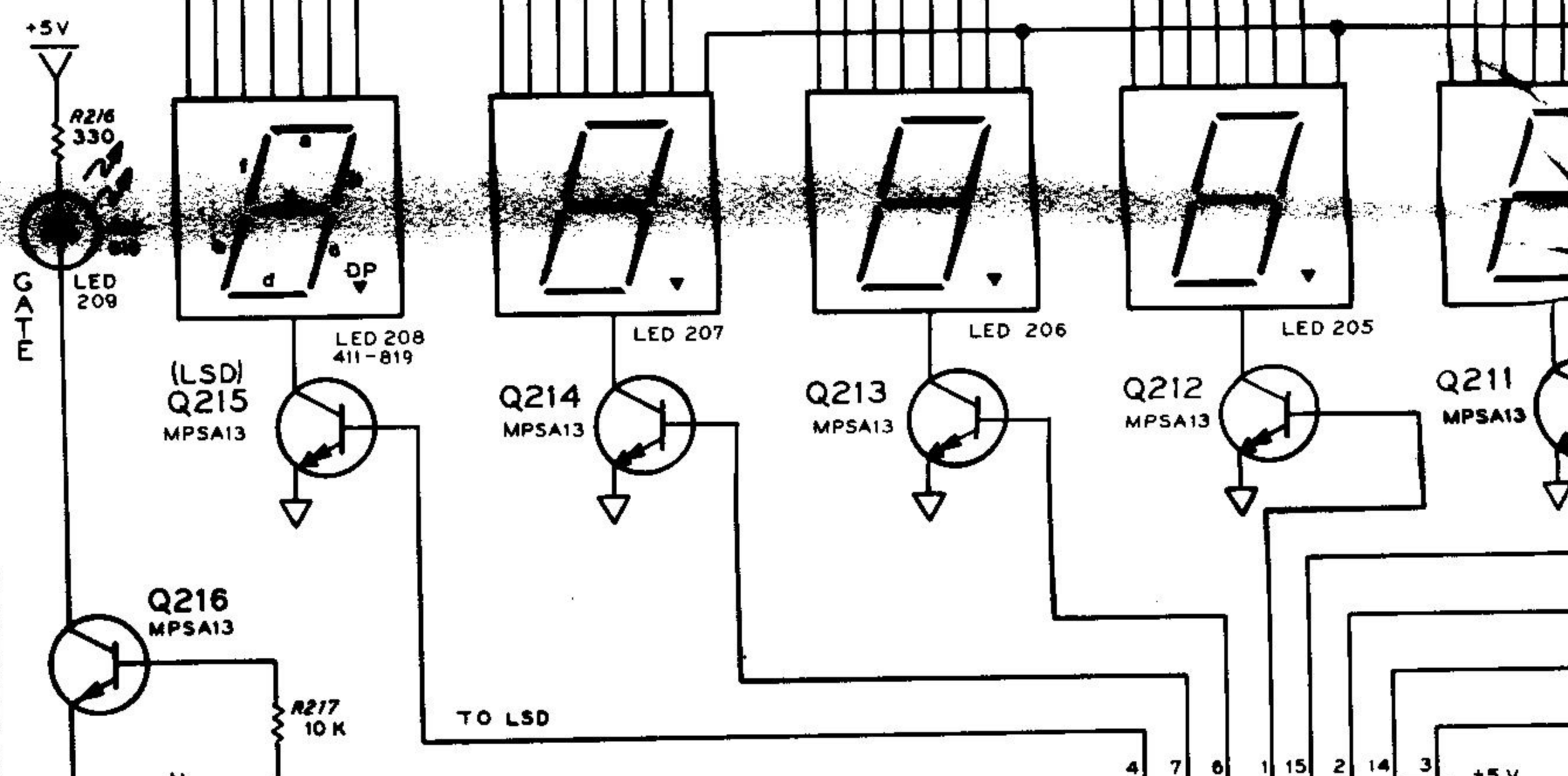


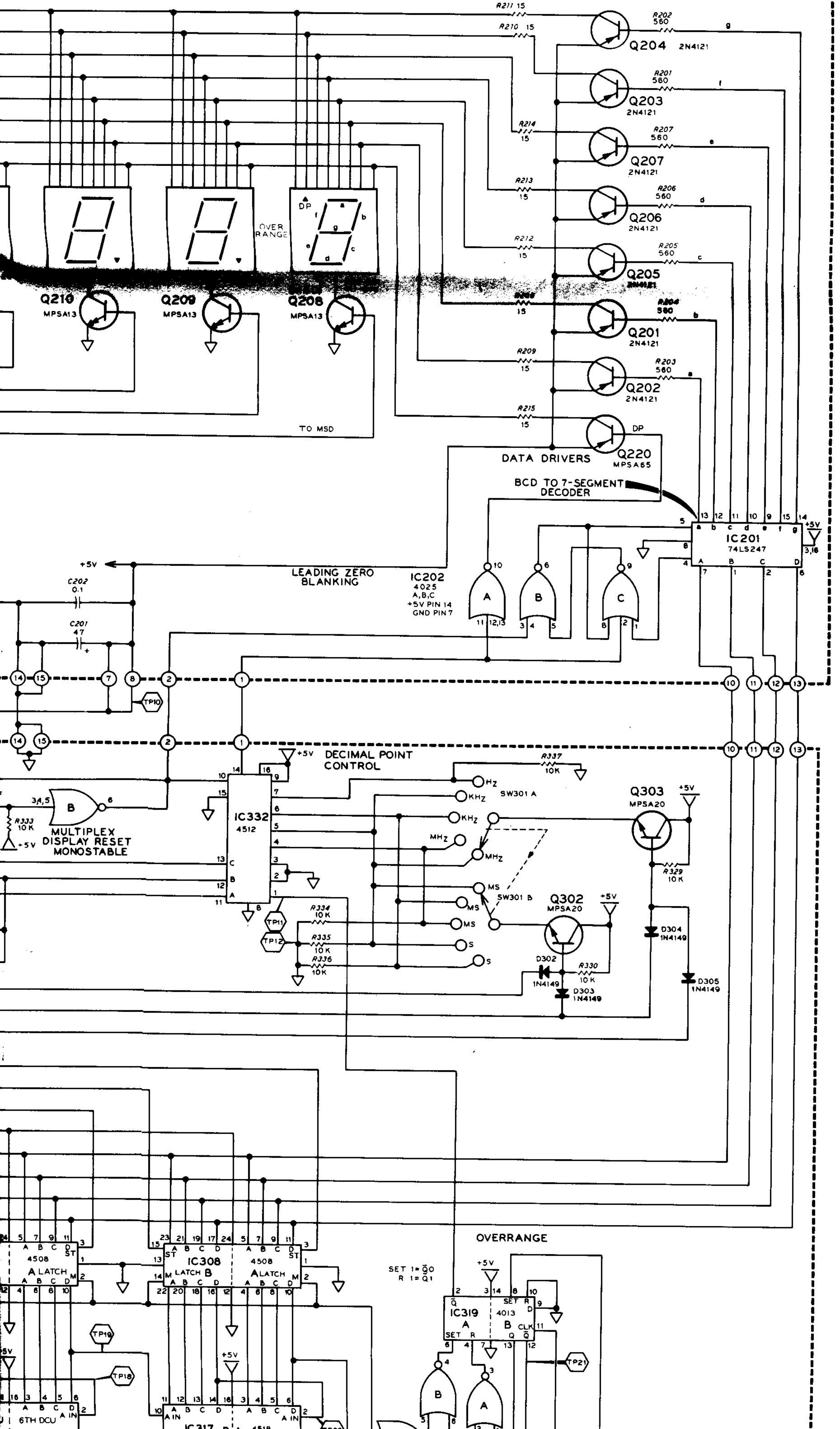
ELS

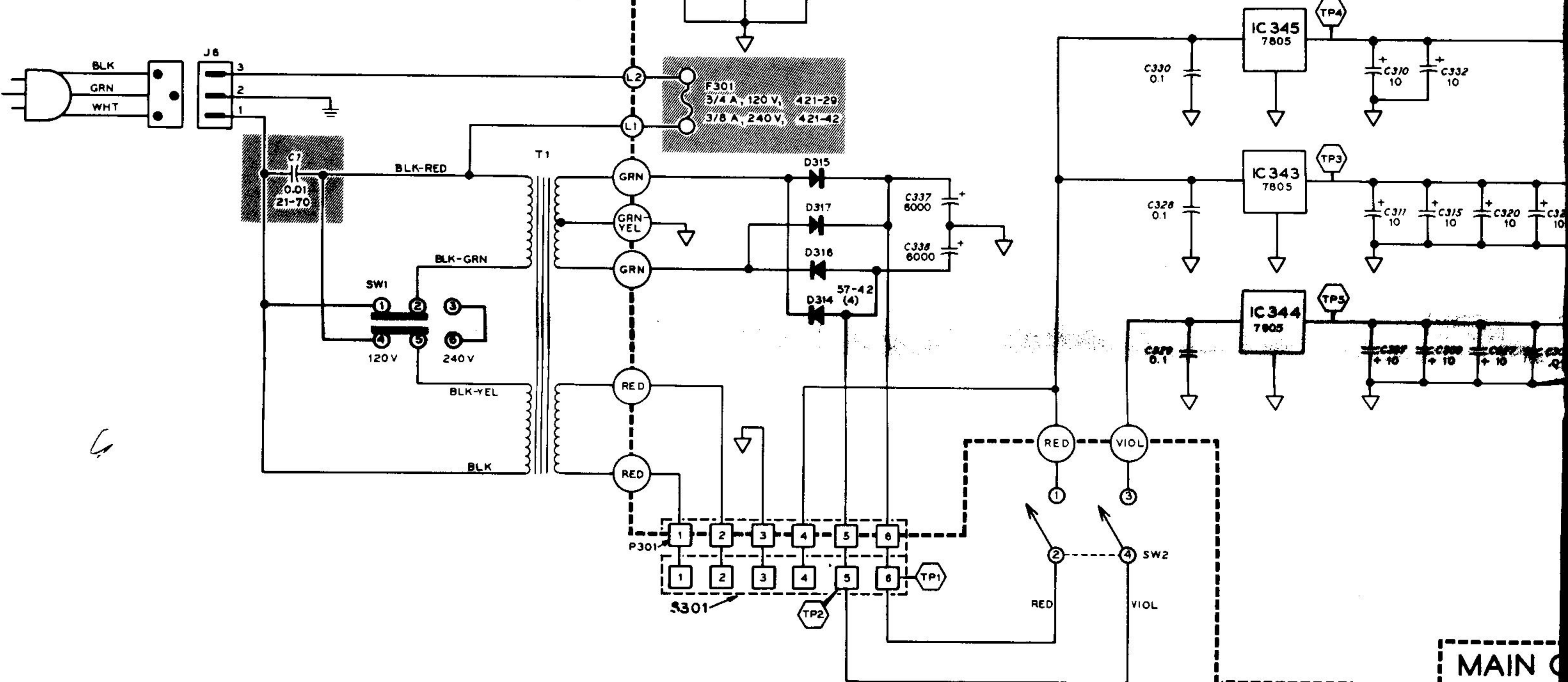
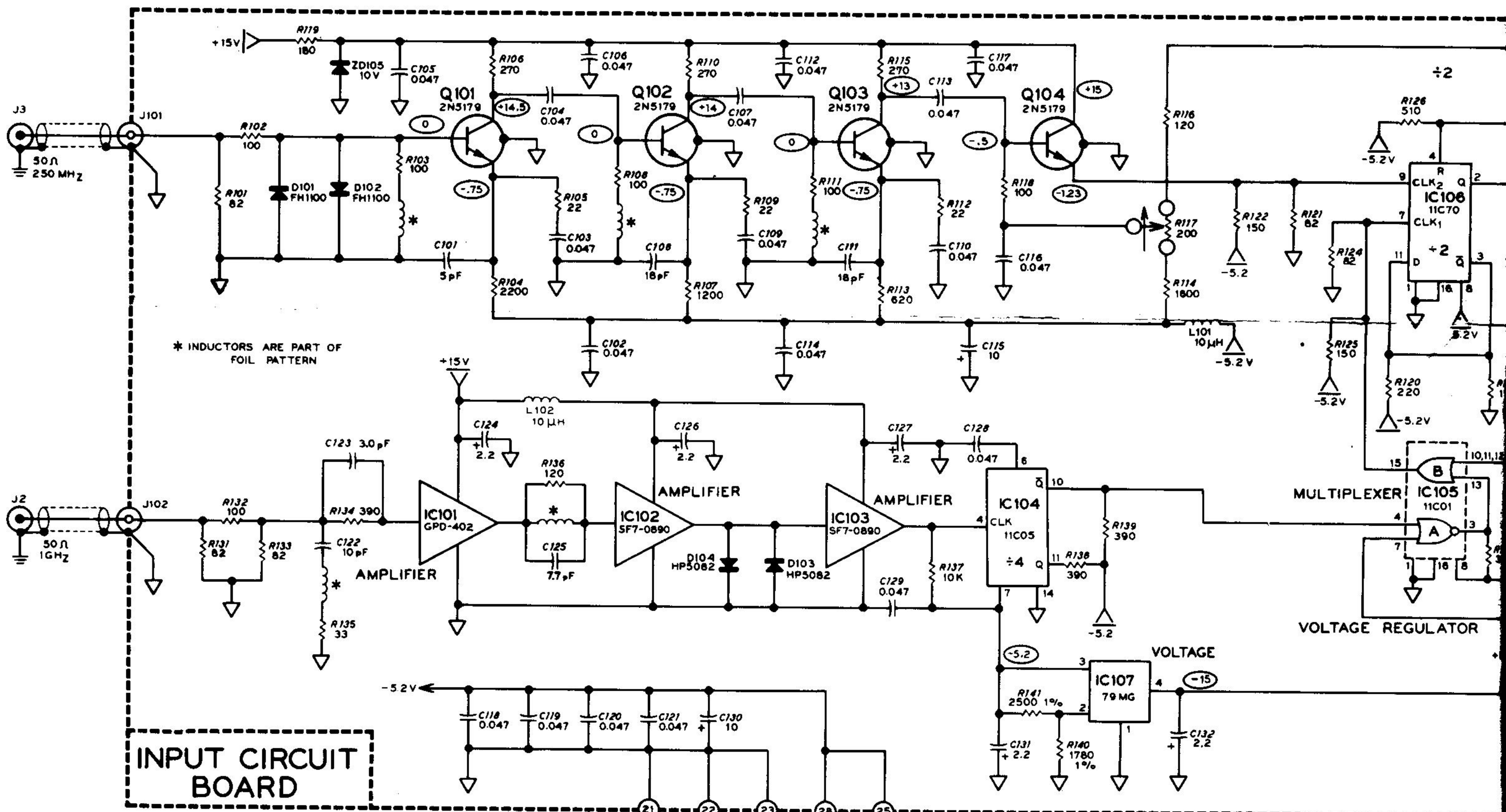
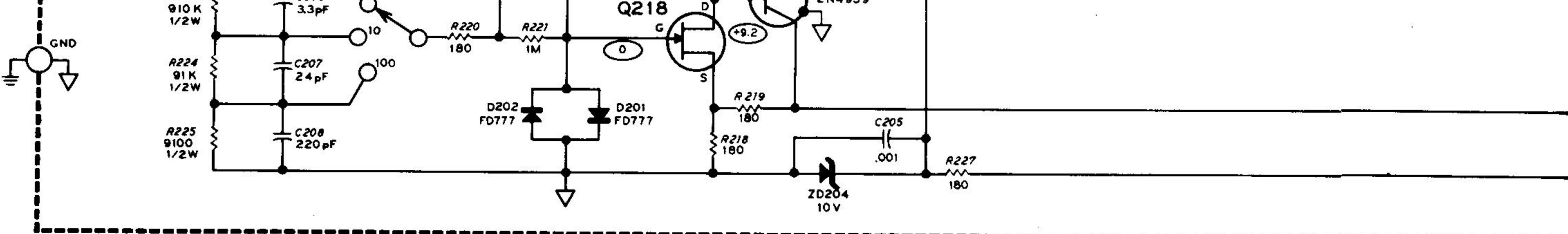
ECL

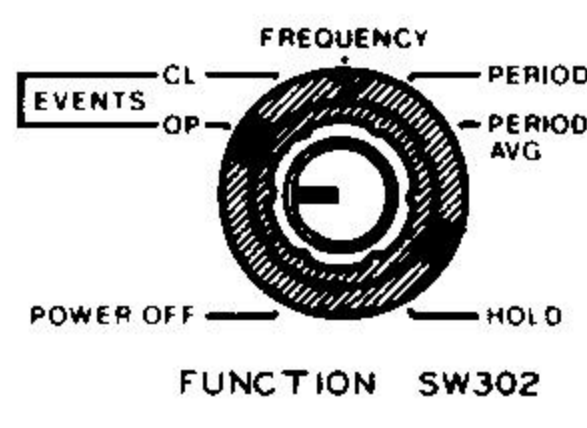
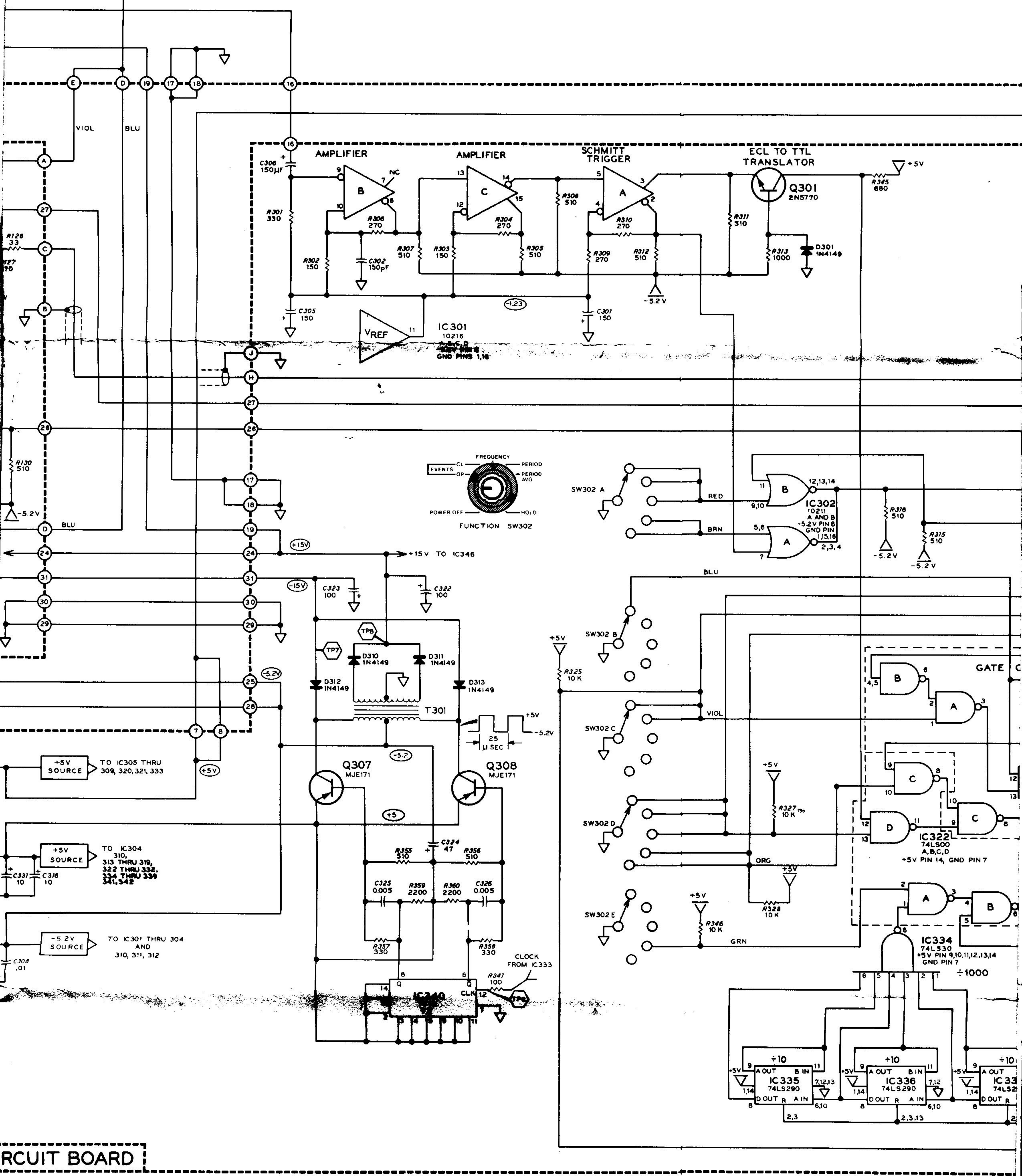


AND MAXIMUM LEVELS
TING THE CIRCUITRY.

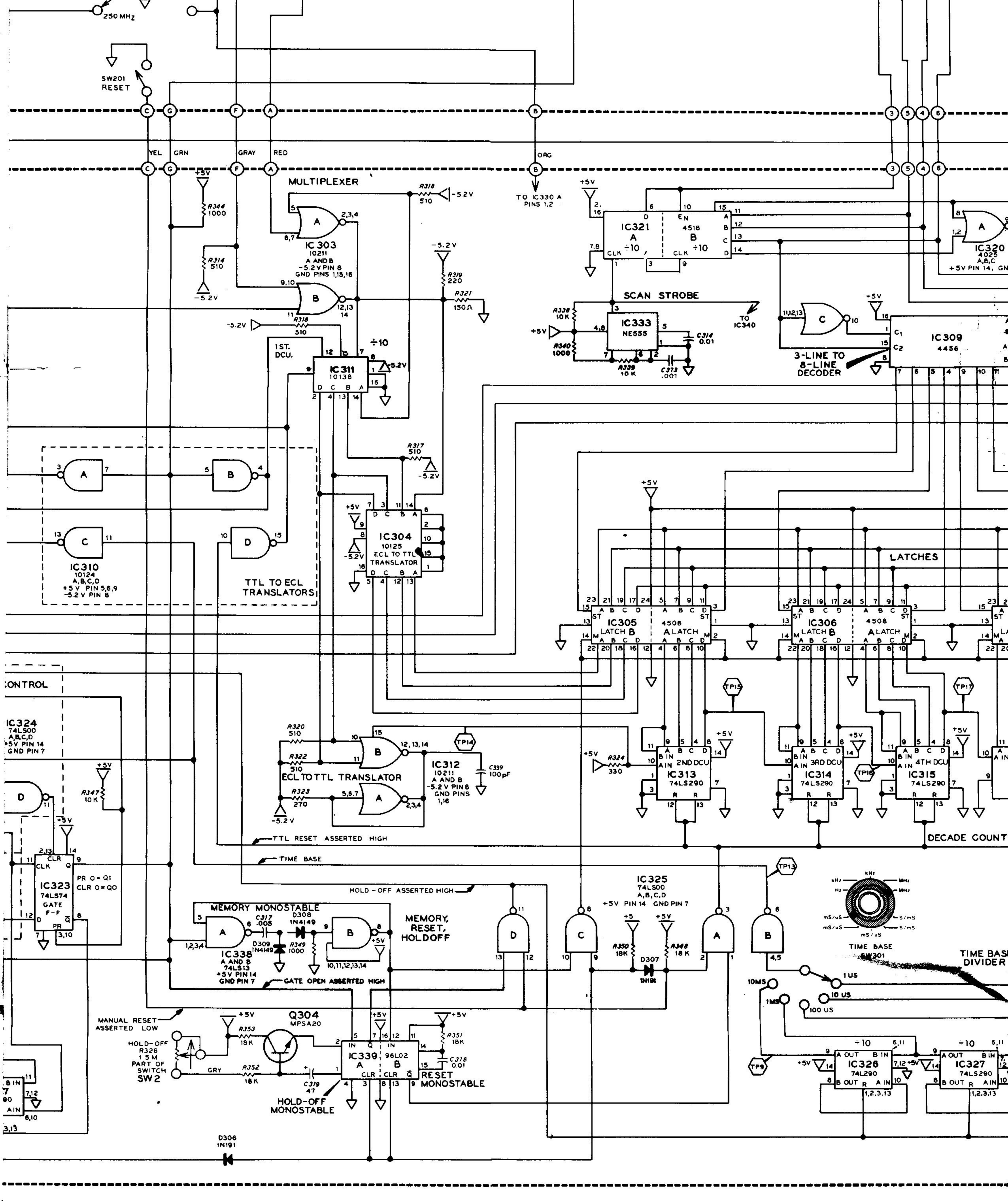


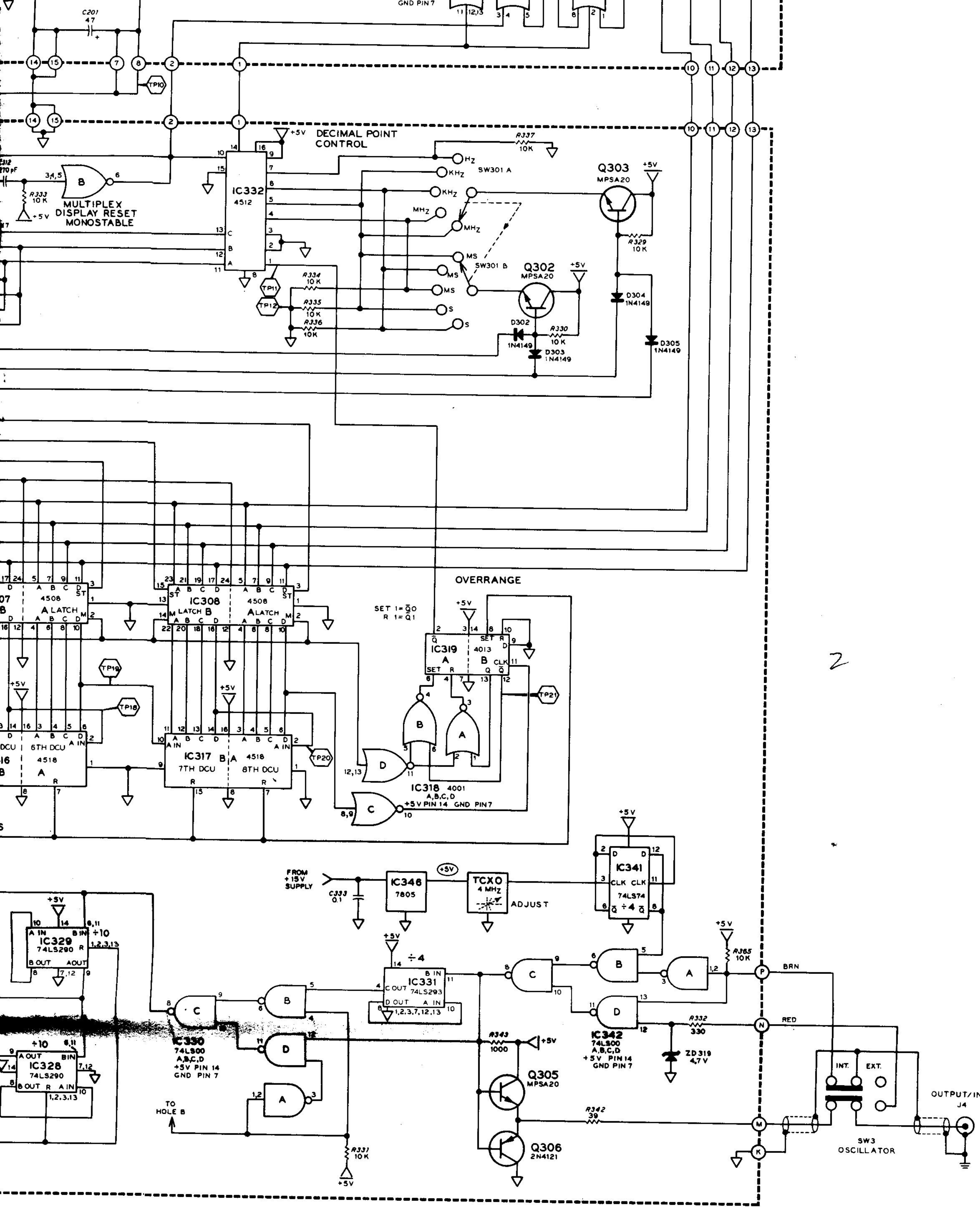






RCUIT BOARD





2