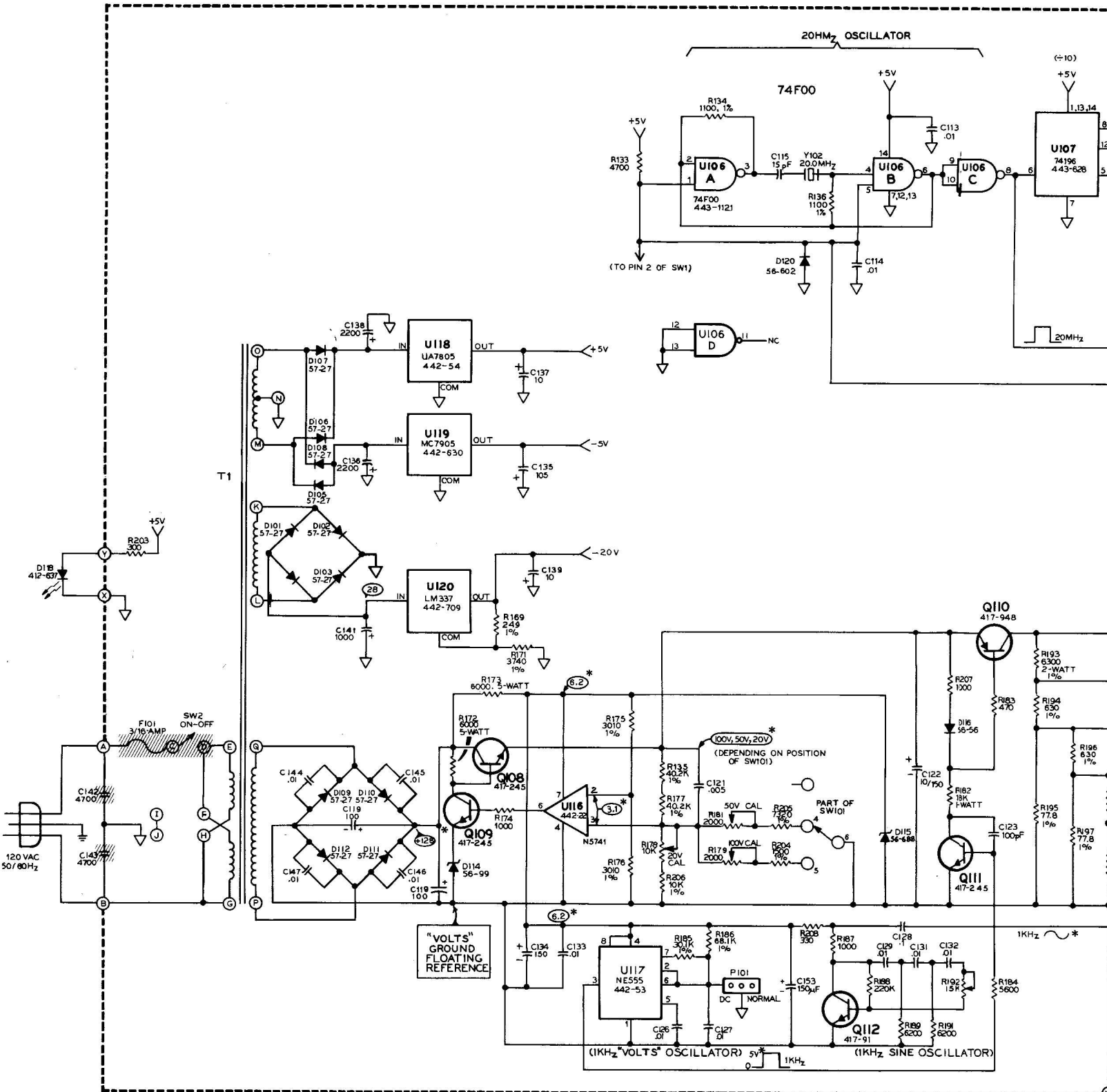
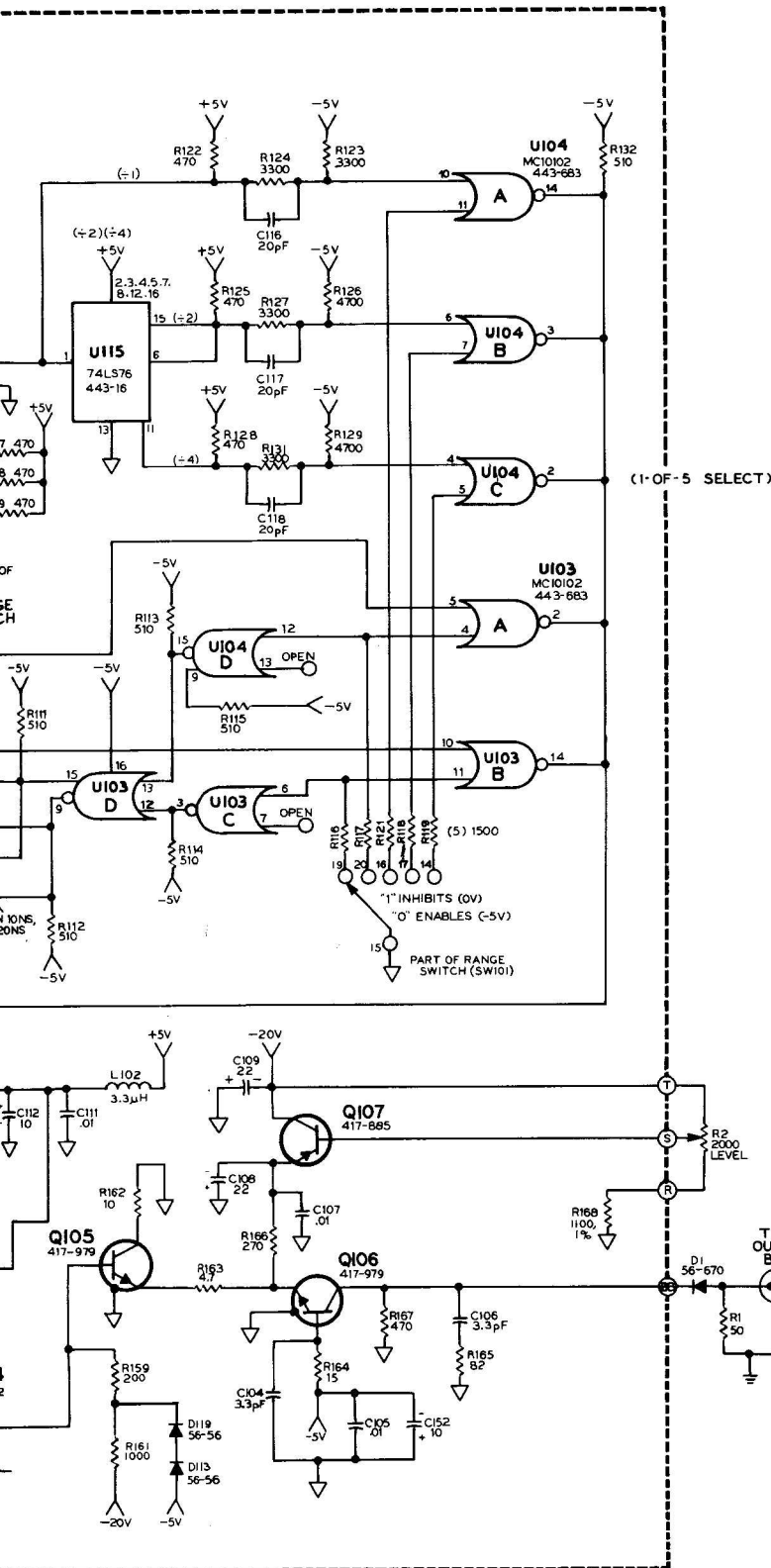


**SCHEMATIC OF THE
HEATHKIT
PRECISION OSCILLOSCOPE CALIBRATOR
MODEL IG-4244**

- NOTES:
1. RESISTOR VALUES ARE IN OHMS (K=1000, M=1,000,000).
 2. ALL CAPACITOR VALUES ARE IN μ F (MICROFARADS) UNLESS OTHERWISE NOTED.
 3. REFER TO THE CIRCUIT BOARD X-RAY VIEWS FOR THE PHYSICAL LOCATION OF PARTS.
 4. CIRCUIT COMPONENT NUMBERS ARE IN THE FOLLOWING GROUPS:
1-99 PARTS ON THE CHASSIS.
101-225 PARTS ON THE CIRCUIT BOARD.
 5. ○ INDICATES A LETTERED WIRE CONNECTION ON THE CIRCUIT BOARD.
 6. ≡ INDICATES A CHASSIS GROUND.
 7. ▽ INDICATES A CIRCUIT BOARD GROUND.
 8. ○ INDICATES A DC VOLTAGE TAKEN FROM THE POINT INDICATED TO GROUND.
 9. TRANSISTOR TRANSISTOR LOGIC (TTL) LEVELS ARE AS FOLLOWS: A LOGIC 0, OR LOW, IS < 0.8 VOLTS. A LOGIC 1, OR HIGH, IS > 2.0 VOLTS BUT < 5.5 VOLTS. A LOGIC 0 CONTROLS SET/RESETS.
 10. ECL LEVELS ARE AS FOLLOWS: A LOGIC 0, OR LOW, IS < -1.6 VOLTS. A LOGIC 1, OR HIGH, IS > -0.9 VOLT. A LOGIC 1 CONTROLS SET/RESETS.
 11. * INDICATES A DC VOLTAGE TAKEN FROM THE POINT INDICATED TO "VOLTS" GROUND FLOATING REFERENCE."



SCHEMATIC OF THE HEATHKIT PRECISION OSCILLOSCOPE CALIBRATOR MODEL IG-4244



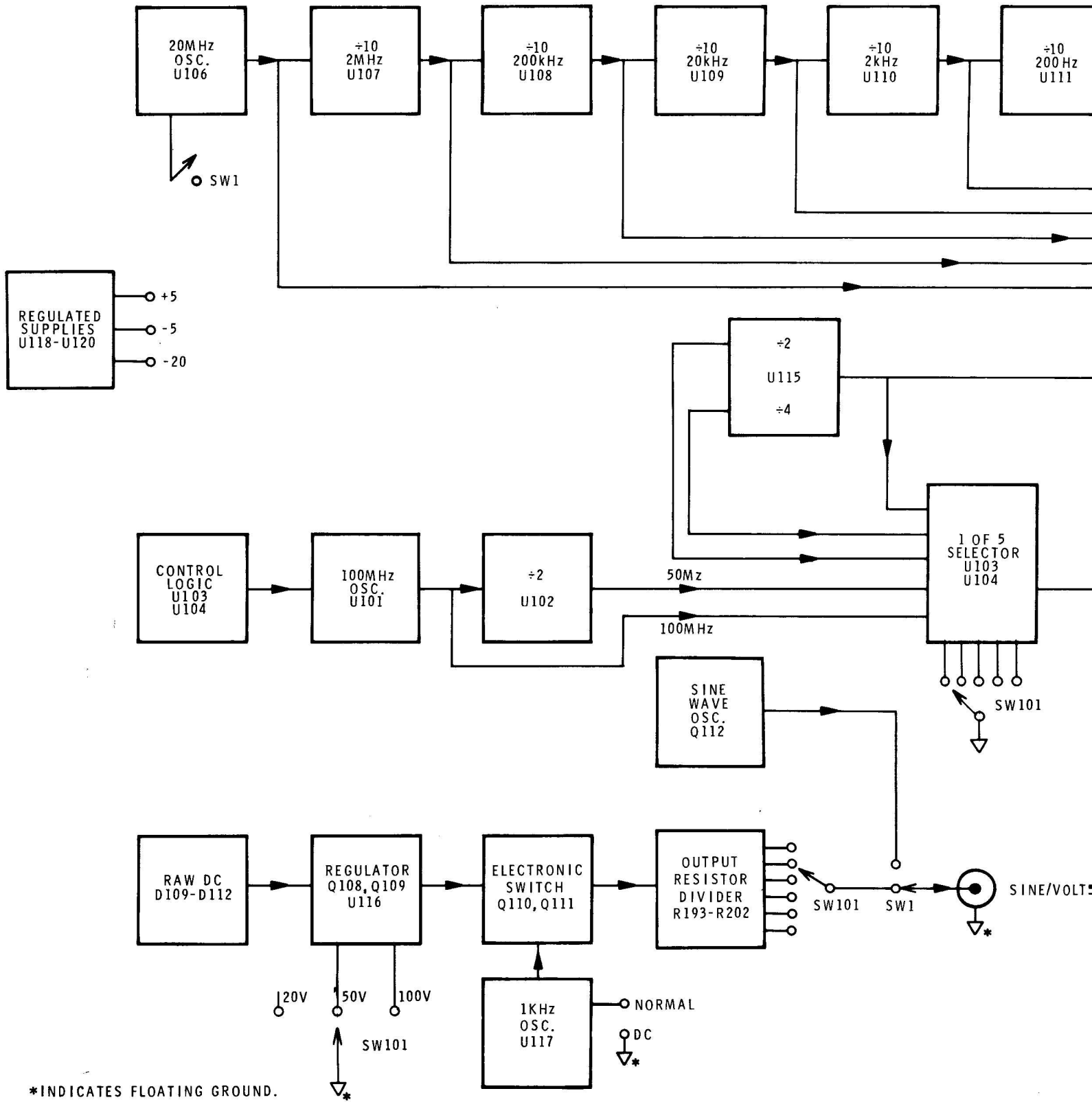
NOTES:

1. RESISTOR VALUES ARE IN OHMS (K=1000, M=1,000,000).
2. ALL CAPACITOR VALUES ARE IN μ F (MICROFARADS) UNLESS OTHERWISE NOTED.
3. REFER TO THE CIRCUIT BOARD X-RAY VIEWS FOR THE PHYSICAL LOCATION OF PARTS.
4. CIRCUIT COMPONENT NUMBERS ARE IN THE FOLLOWING GROUPS:
1-99 PARTS ON THE CHASSIS.
101-225 PARTS ON THE CIRCUIT BOARD.
5. ○ INDICATES A LETTERED WIRE CONNECTION ON THE CIRCUIT BOARD.
6. ≡ INDICATES A CHASSIS GROUND.
7. ▽ INDICATES A CIRCUIT BOARD GROUND.
8. ○ INDICATES A DC VOLTAGE TAKEN FROM THE POINT INDICATED TO GROUND.
9. TRANSISTOR TRANSISTOR LOGIC (TTL) LEVELS ARE AS FOLLOWS:
A LOGIC 0, OR LOW, IS < 0.8 VOLTS. A LOGIC 1, OR HIGH, IS > 2.0 VOLTS BUT < 5.5 VOLTS. A LOGIC 0 CONTROLS SET/RESETS.
10. ECL LEVELS ARE AS FOLLOWS: A LOGIC 0, OR LOW, IS < -1.6 VOLTS. A LOGIC 1, OR HIGH, IS $> -.9$ VOLT. A LOGIC 1 CONTROLS SET/RESETS.
11. * INDICATES A DC VOLTAGE TAKEN FROM THE POINT INDICATED TO "VOLTS' GROUND FLOATING REFERENCE."

Copyright © 1983
Heath Company
All Rights Reserved

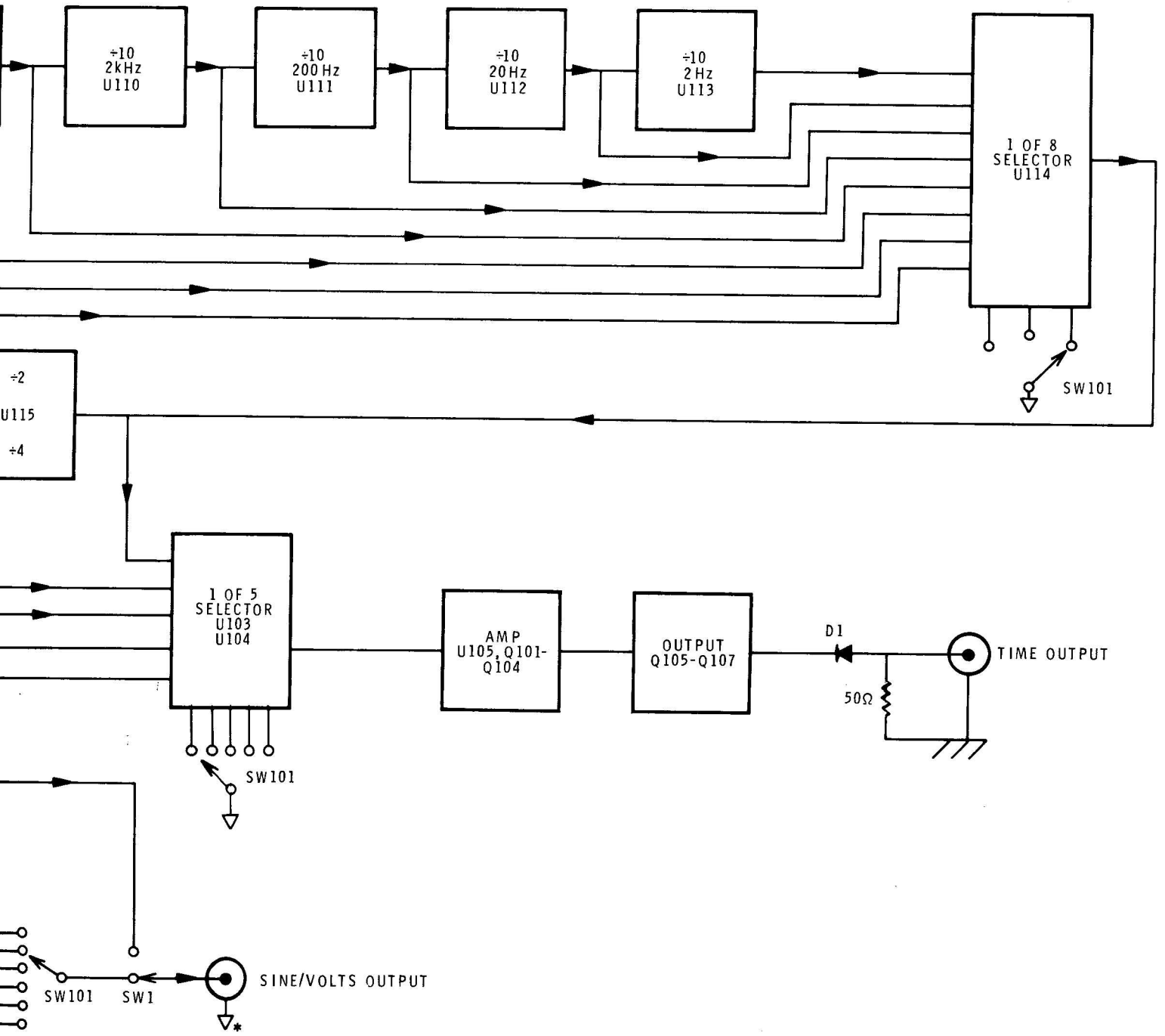
Part of 595-2889-08

Printed in the United States of America



*INDICATES FLOATING GROUND.

BLOCK DIAGRAM



BLOCK DIAGRAM

