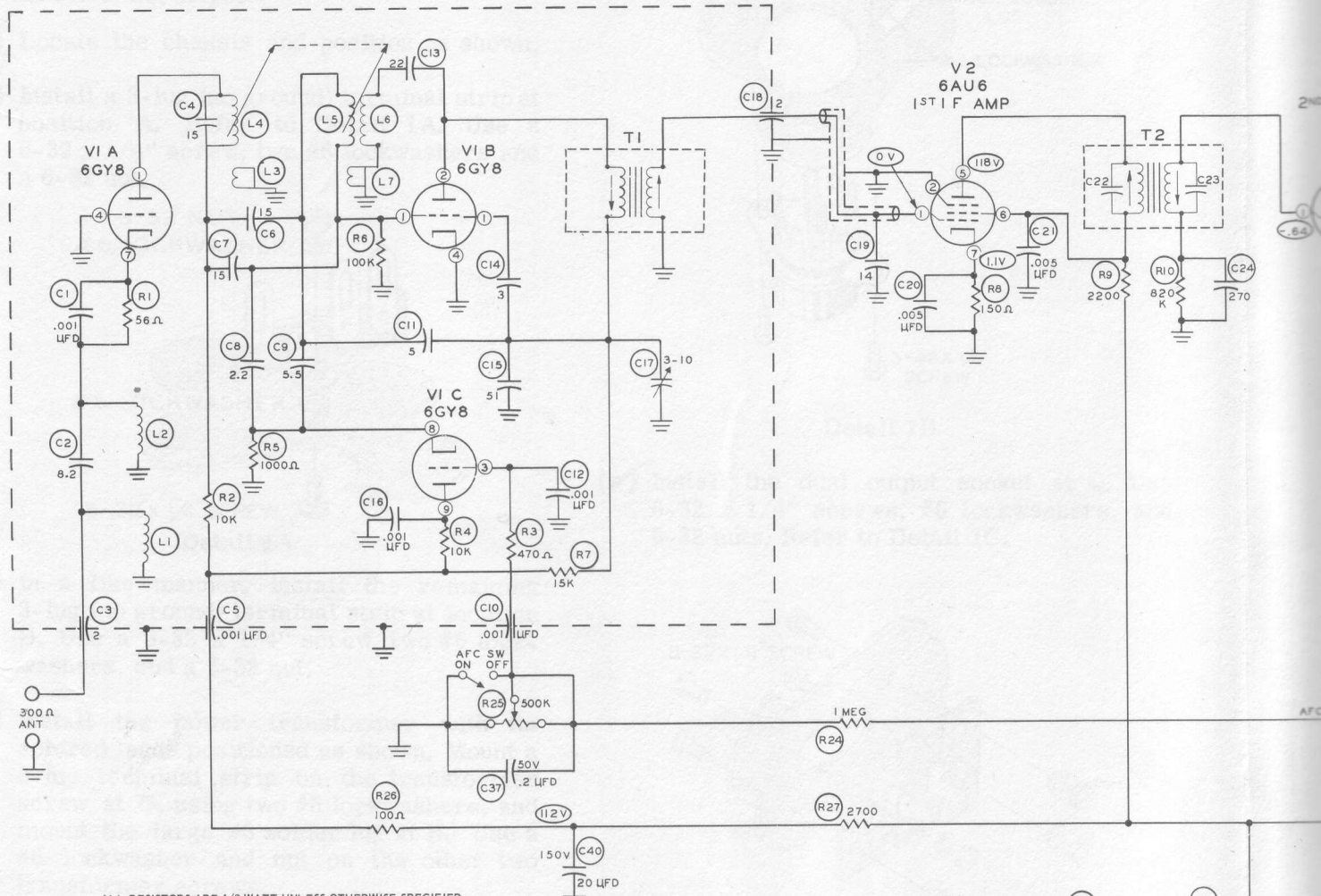


# STEP BY STEP ASSEMBLY



ALL RESISTORS ARE 1/2 WATT UNLESS OTHERWISE SPECIFIED.  
 ALL CAPACITOR VALUES IN  $\mu\text{F}$  UNLESS OTHERWISE SPECIFIED.  
 ALL VOLTAGES TAKEN FROM POINT INDICATED TO CHASSIS GROUND.  
 NO SIGNAL APPLIED.  
 ALL VOLTAGES MAY VARY  $\pm 10\%$ .  
 VOLTAGE READINGS TAKEN WITH 11 MEGOHM INPUT VTVM.  
 ANTENNA TERMINALS SHORTED.

- INDICATES CHASSIS FEED-THROUGH CAPACITOR.
- INDICATES CONNECTION.
- INDICATES CHASSIS GROUND.
- INDICATES TOP SLUG.
- INDICATES BOTTOM SLUG.
- ALL CONTROLS FULL COUNTERCLOCKWISE.
- AFC SWITCH IN ON POSITION.



**FM TUNER  
 MODEL AJ-63**

