

instructions

FOR THE



40 KV PROBE METER MODEL IM-5210



INTRODUCTION

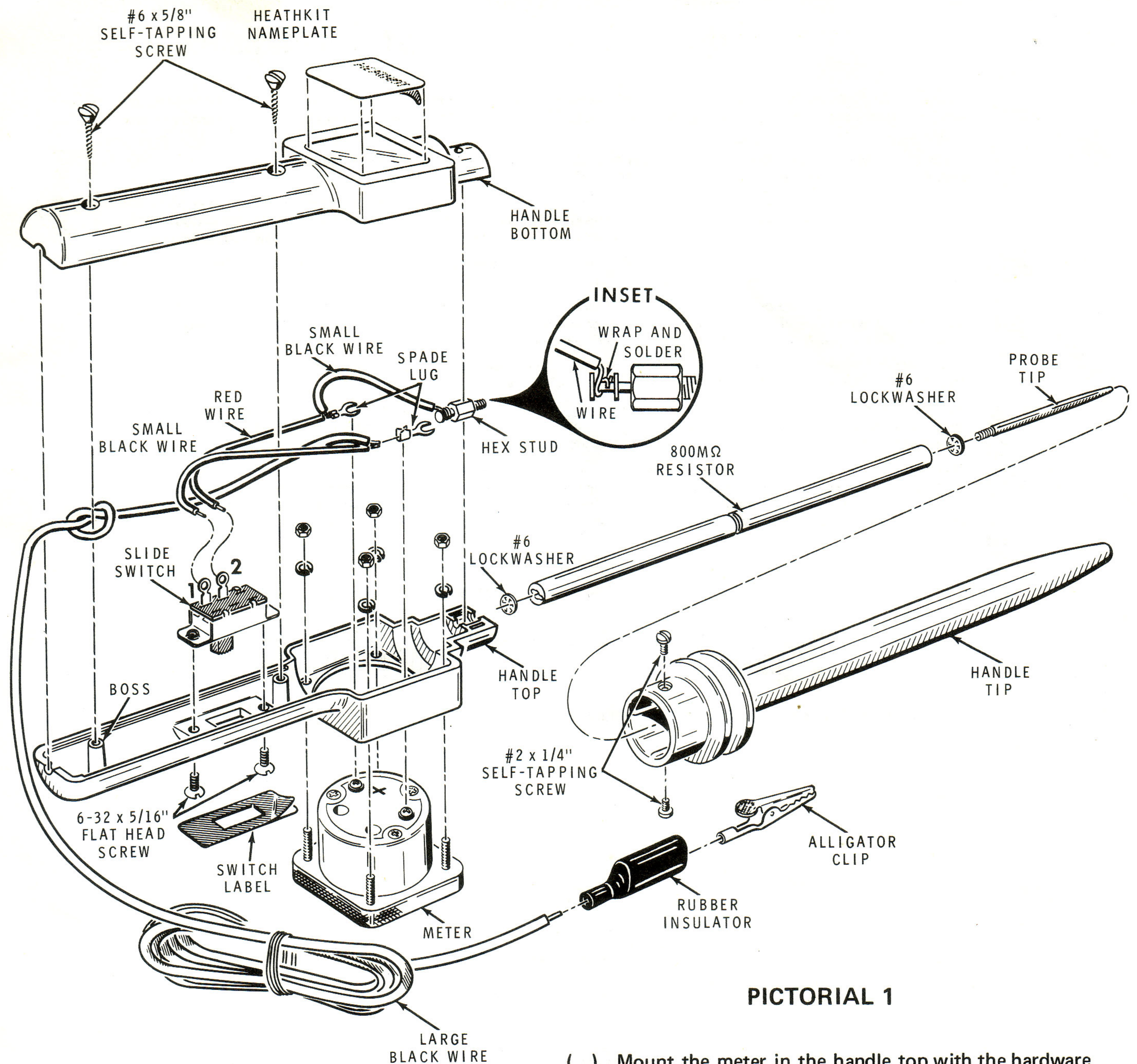
The Heathkit Model IM-5210 40 kV Probe Meter is a convenient, self-contained probe that measures extremely high DC voltages up to 40,000 volts.

The on-off switch mounted on the handle protects the meter during transportation and hookup.

Refer to the "Kit Builders Guide" for information on tools, wiring, and soldering.



STEP-BY-STEP ASSEMBLY



PICTORIAL 1

Refer to Pictorial 1 for the following steps.

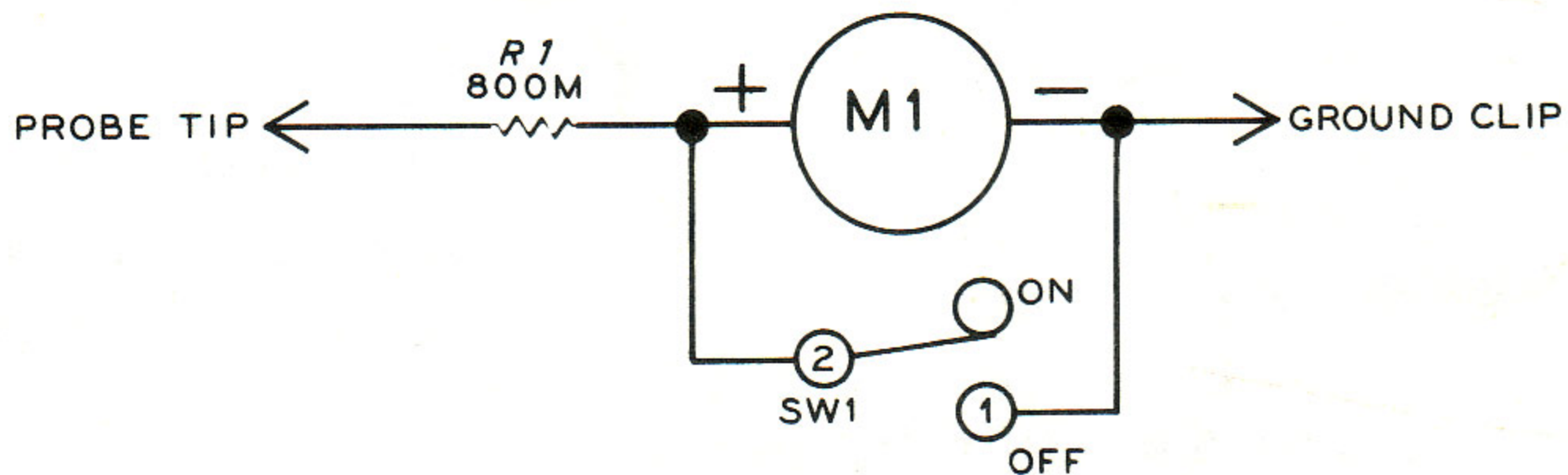
- () Mount the slide switch in the handle top with two 6-32 x 5/16" screws. Position the switch as shown.

NOTE: The Heath Company has provided a plastic nut starter with this kit. Use the nut starter to hold and start the nuts in the next step.

- () Mount the meter in the handle top with the hardware supplied with the meter. Position the meter so that the meter scale is away from the switch. CAUTION: Do not overtighten the meter hardware. This can damage the meter case.

NOTE: As you prepare lengths of wire, as in the following step, first cut the wire to the indicated length and remove 1/4" of insulation from each end. Then twist together the small strands of wire at each wire end and melt a small amount of solder on these bare wire ends.

**SCHEMATIC OF THE
HEATHKIT[®]
40KV PROBE METER
MODEL IM-5210**



NOTES:

1. R1 IS A 1/2 WATT, 2% RESISTOR.
2. M1 IS A 50 μ A METER.

SPECIFICATIONS

Voltage Range 0 – 40 kVDC.

Accuracy $\pm 3\%$ of full scale.

Size 15" long x 1-7/8" wide x 1-1/2" high.

Weight 8 oz.