

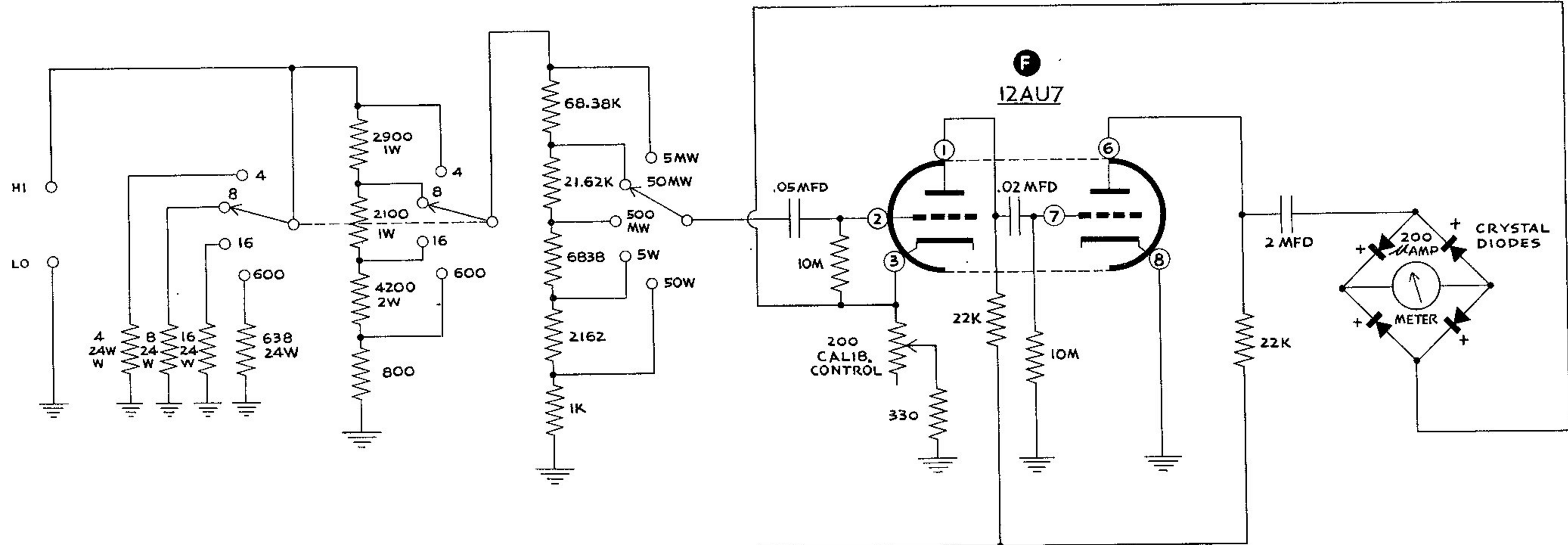
HEATHKIT AUDIO WATTMETER

MODEL AW-1



SPECIFICATIONS

Frequency Response.....	± 1 db, 10 cycles to 250 kc
Wattage Range.....	0-5 milliwatts, 50 milliwatts, 500 milliwatts, 5 watts, 50 watts full scale.
DB Ranges.....	Total range, -15 db to +48 db, scale -5 to +18 db (1 mw - 600 Ω). Five switch selected ranges from -10 db to +30 db.
Load Resistors.....	4 Ω , 8 Ω , 16 Ω and 600 Ω non-inductive, switch selected.
Audio Input Power Ratings.....	Up to 25 watts maximum continuous duty, 50 watts maximum intermittent. Duty cycle 50 watts is 3 minutes. Ventilated cabinet allows efficient cooling.
Multipliers.....	Precision type
Meter.....	4 1/2" streamlined case with 200 microampere movement.
Meter Rectifier.....	Crystal diode bridge for wide range frequency response.
Tube.....	12AU7 - voltage amplifier and current amplifier for meter.
Power Supply.....	Power transformer and selenium rectifier
Power Requirements.....	105-125 volt AC, 50/60 cycle, 6 watts
Dimensions.....	7 3/8" high x 4 11/16" wide x 4 1/8" deep
Net Weight.....	3 lbs.
Shipping Weight.....	6 lbs.



SCHEMATIC AW-1
 AUDIO WATTMETER SCHEMATIC

