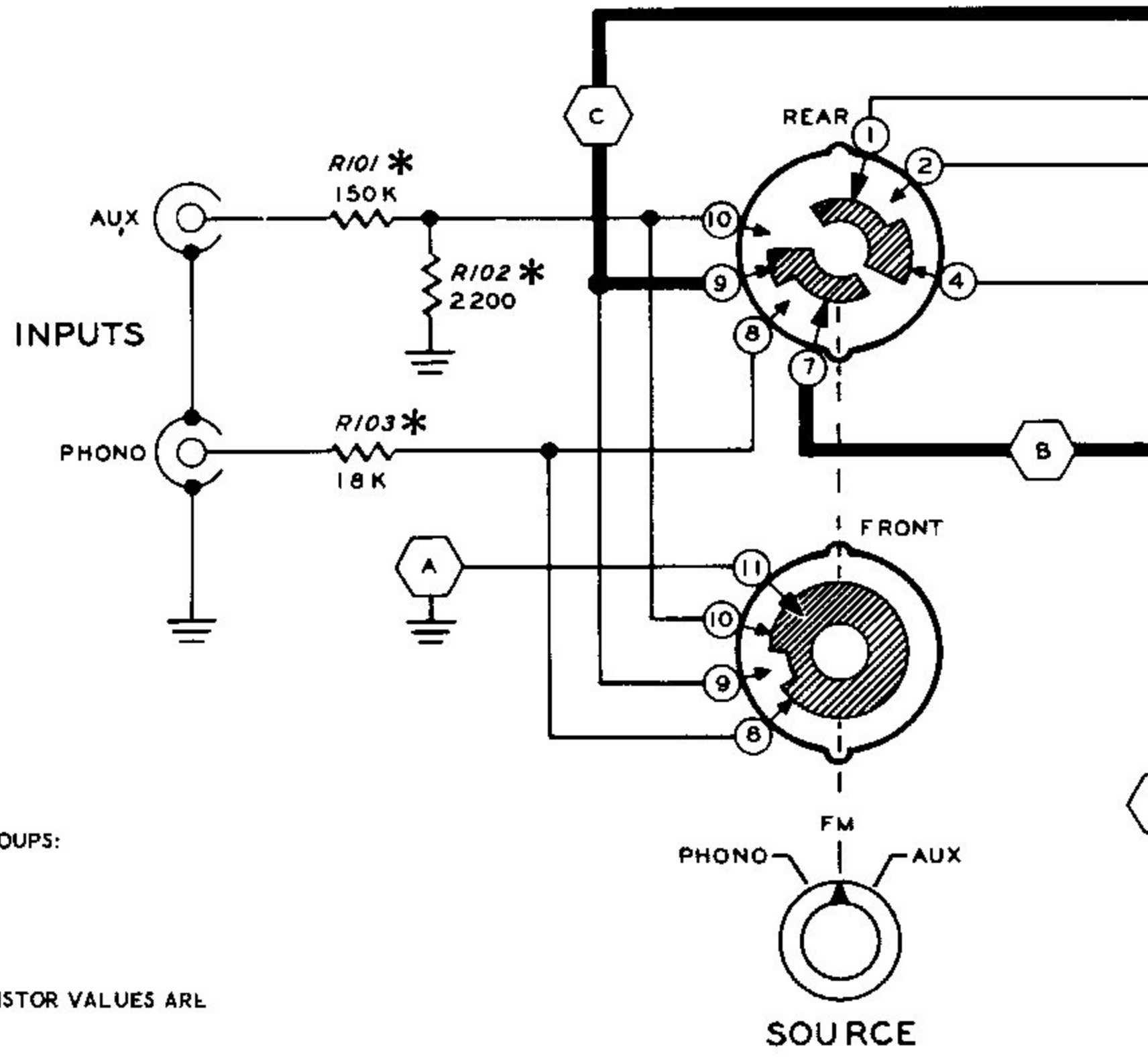
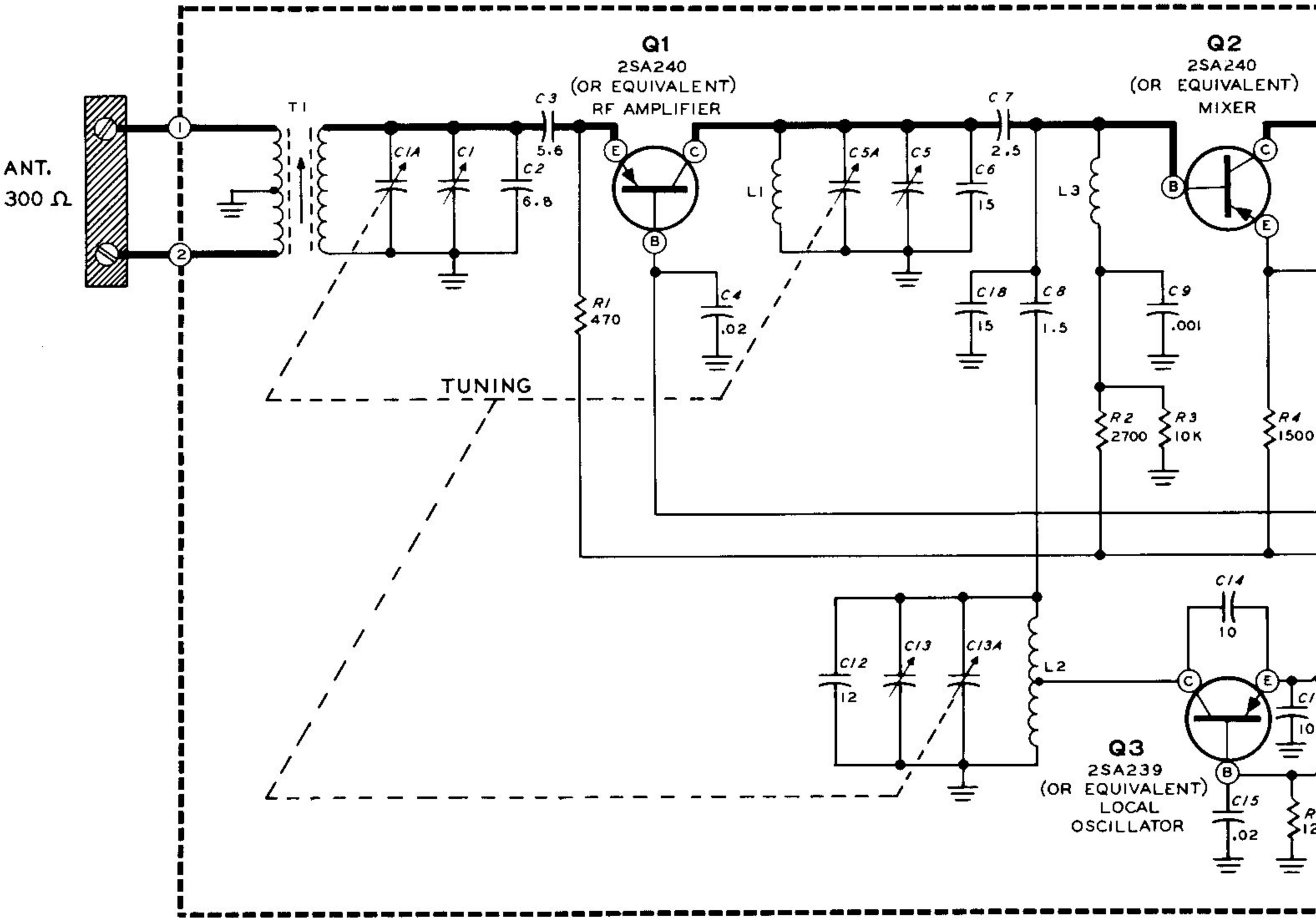


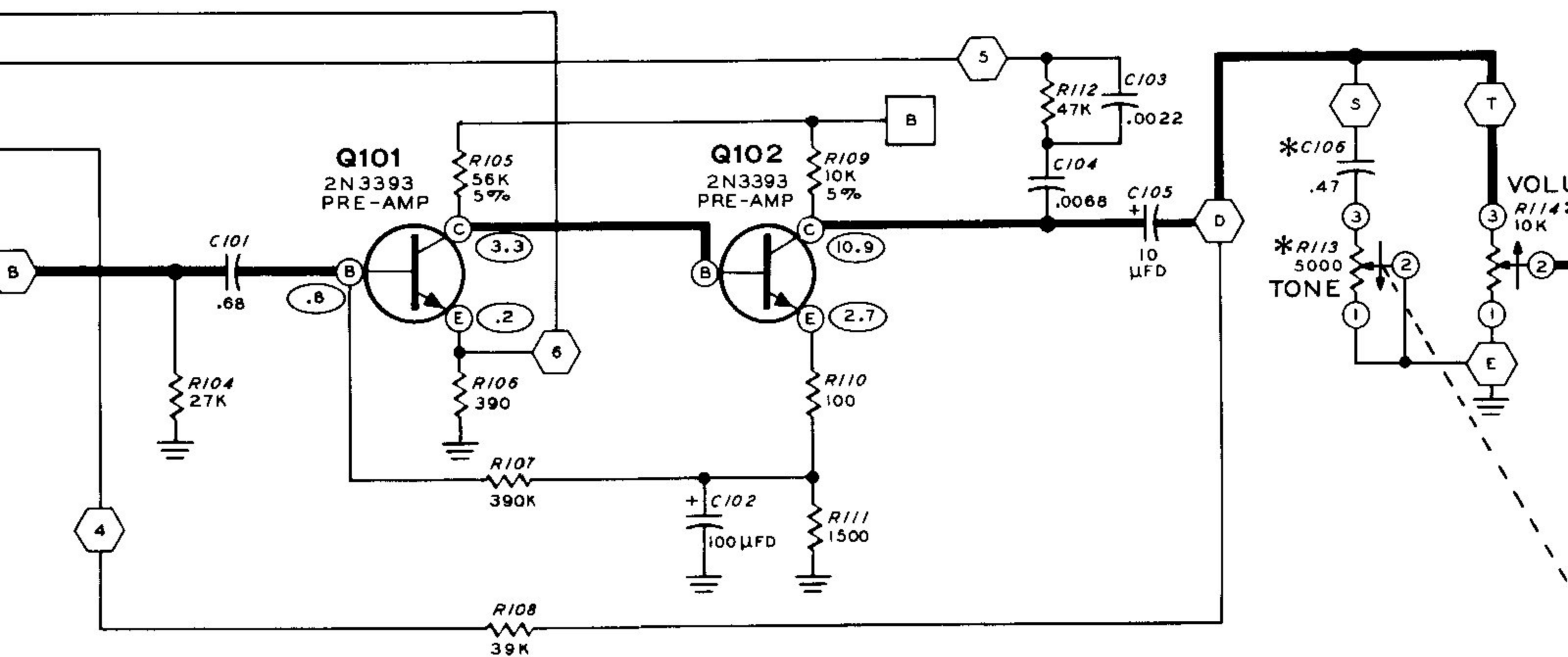
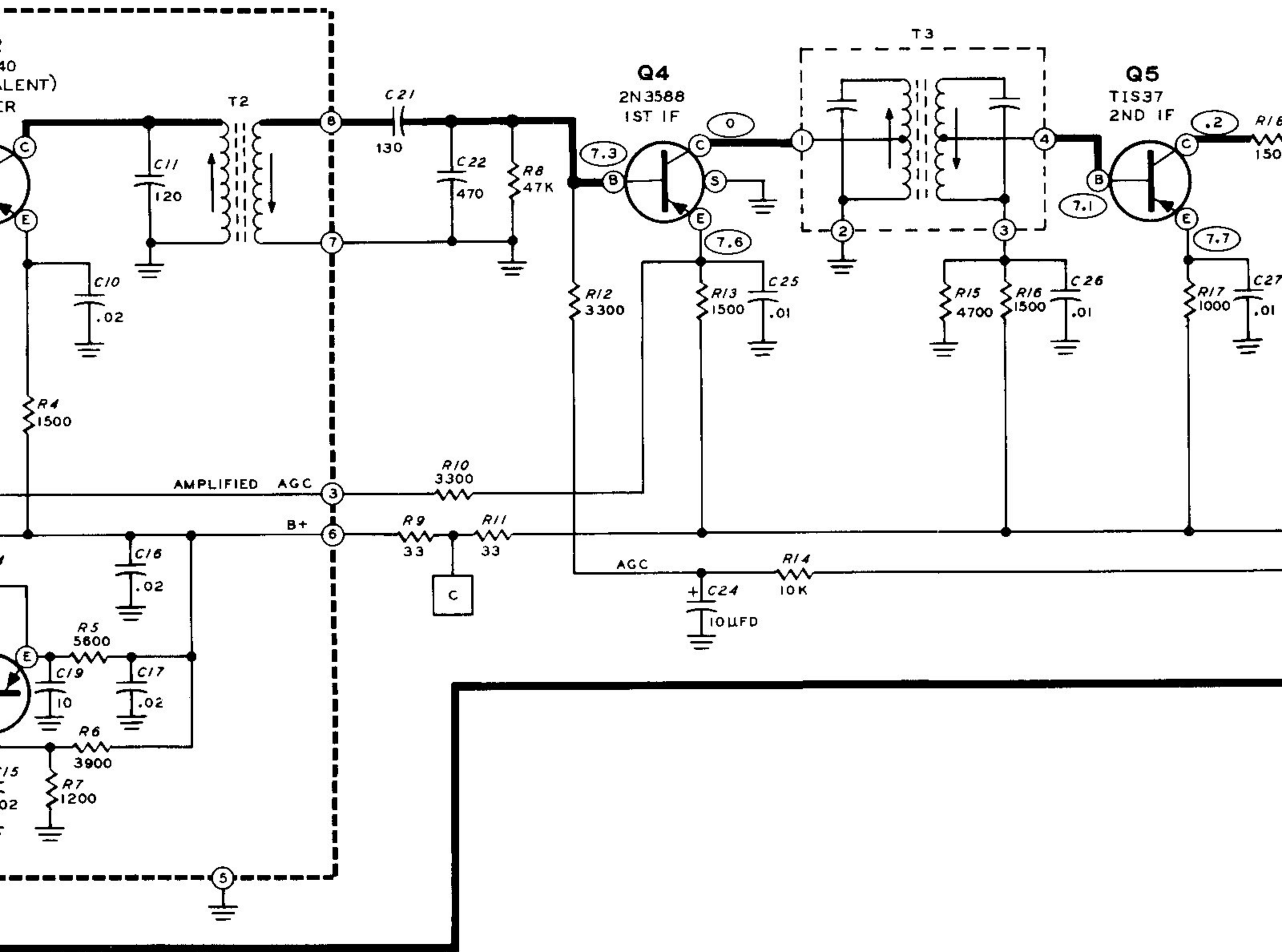
FM TUNING UNIT



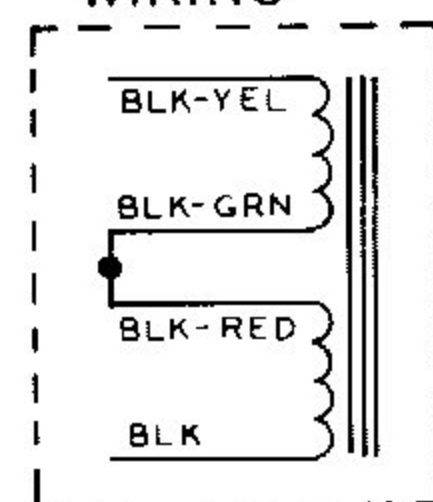
SCHEMATIC OF THE HEATHKIT® SOLID-STATE MONO FM RECEIVER MODEL AR-27

NOTE:

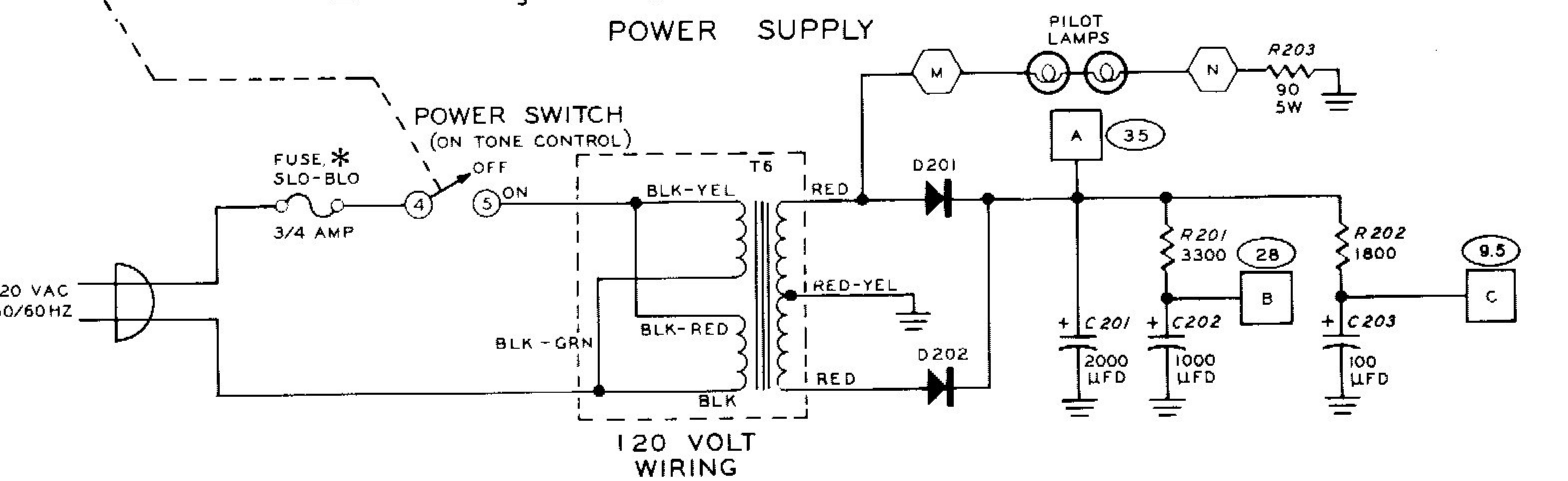
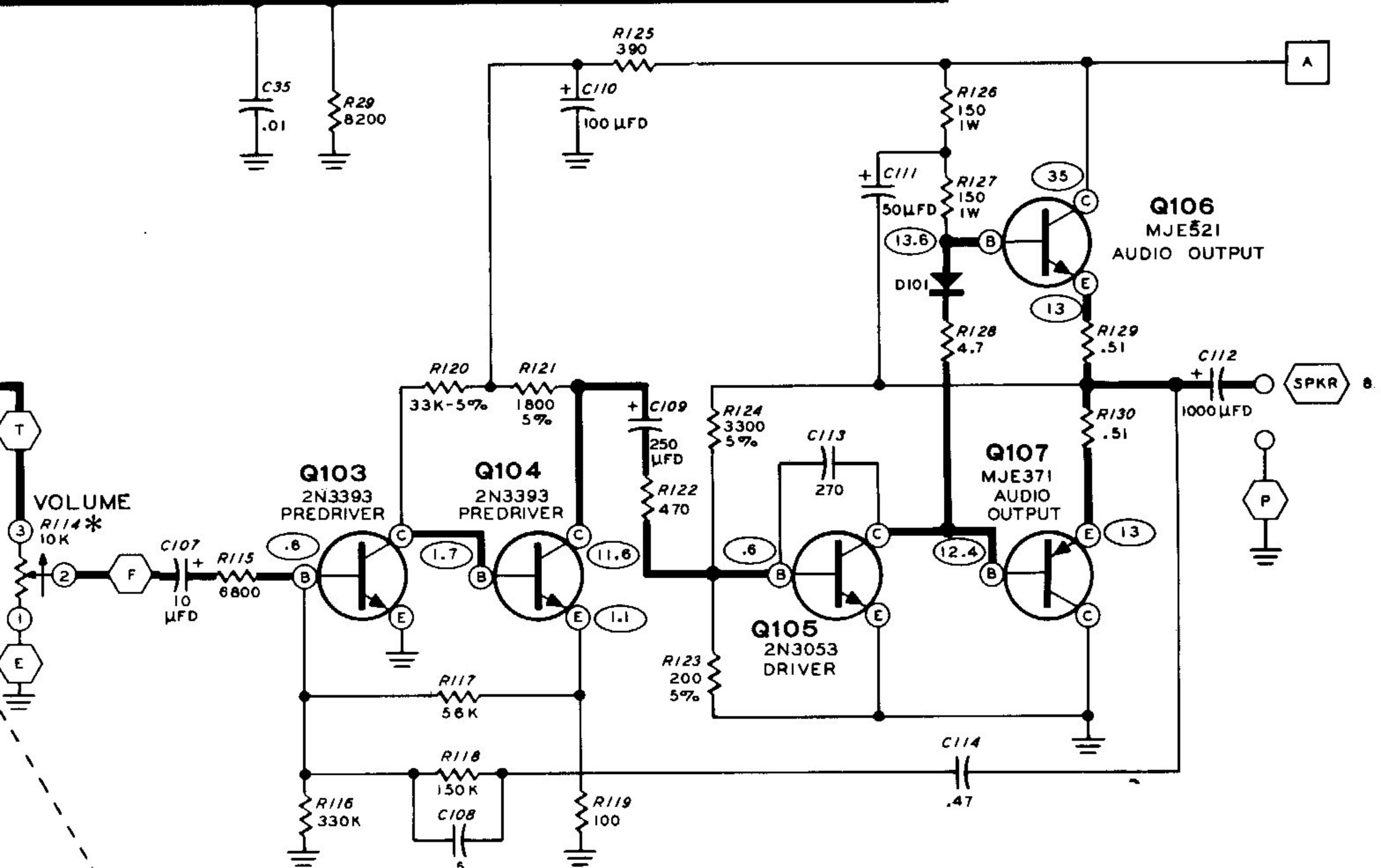
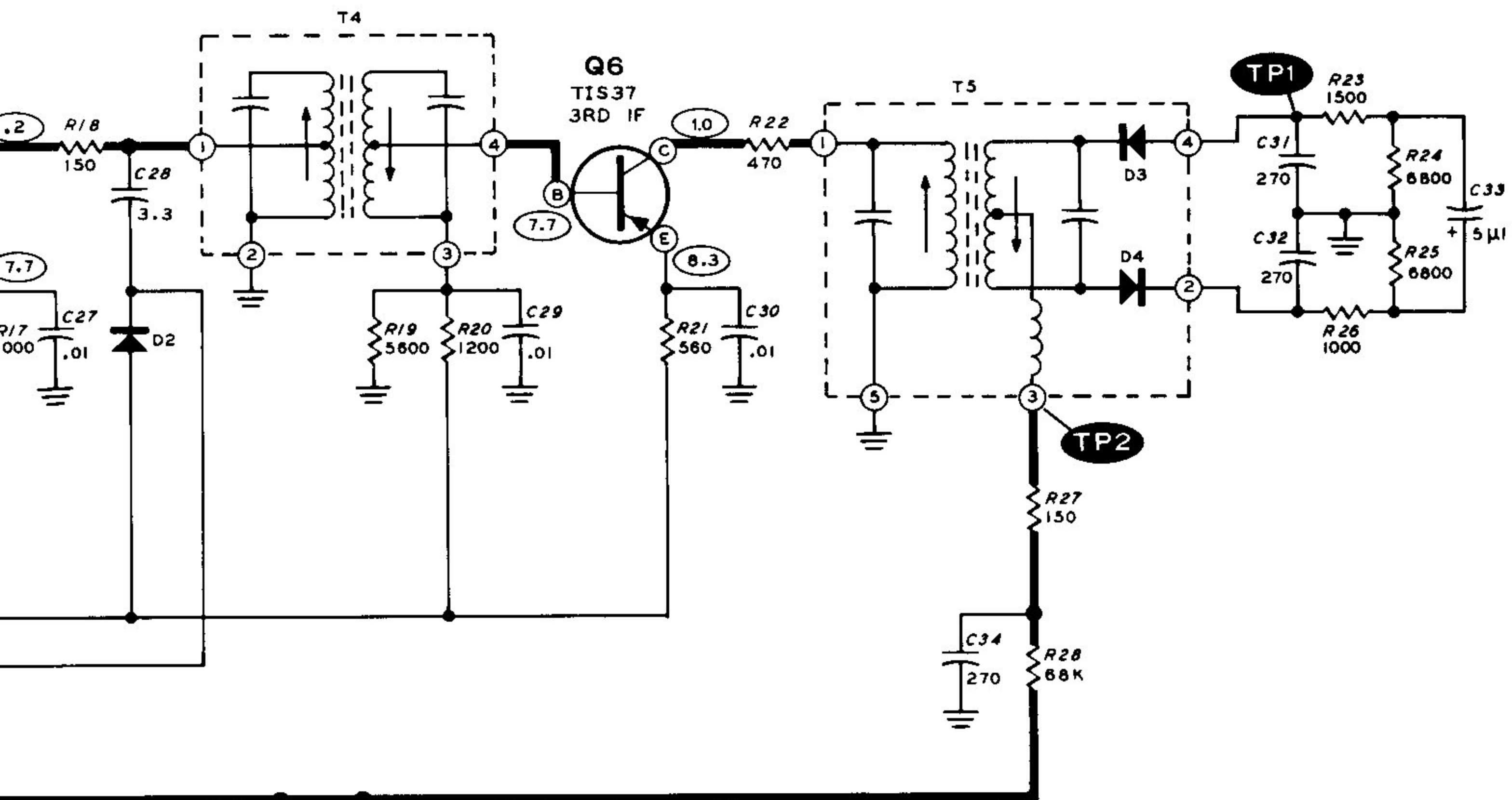
1. RESISTOR AND CAPACITOR NUMBERS ARE IN THE FOLLOWING GROUPS:
 0-99 NUMBERS IN THE FM TUNER SECTION.
 100-199 NUMBERS IN THE AMPLIFIER SECTION.
 200-299 NUMBERS IN THE POWER SUPPLY SECTION.
 * DENOTES PARTS NOT MOUNTED ON THE CIRCUIT BOARD.
2. ALL RESISTORS ARE 1/2 WATT UNLESS MARKED OTHERWISE. RESISTOR VALUES ARE IN OHMS (K = 1000, MEG = 100,000).
3. CAPACITOR VALUES LESS THAN 1 ARE IN μ FD. VALUES OF 1 AND ABOVE ARE IN pF, UNLESS THEY ARE MARKED OTHERWISE.
4. ○ THIS SYMBOL INDICATES A POSITIVE DC VOLTAGE MEASUREMENT. TAKEN WITH AN 11 MEGOHM ELECTRONIC VOLTMETER OR VTVM FROM THE POINT INDICATED TO CHASSIS GROUND.
5. □ INDICATES B+ VOLTAGE POINTS.
6. ○ INDICATES CONNECTING POINTS ON THE CIRCUIT BOARD.
7. REFER TO THE CIRCUIT BOARD X-RAY VIEW AND CHASSIS PHOTO FOR THE PHYSICAL LOCATION OF PARTS.
8. → INDICATES CW ROTATION.
9. ALL VOLTAGES ARE MEASURED WITH NO SIGNAL INPUT.



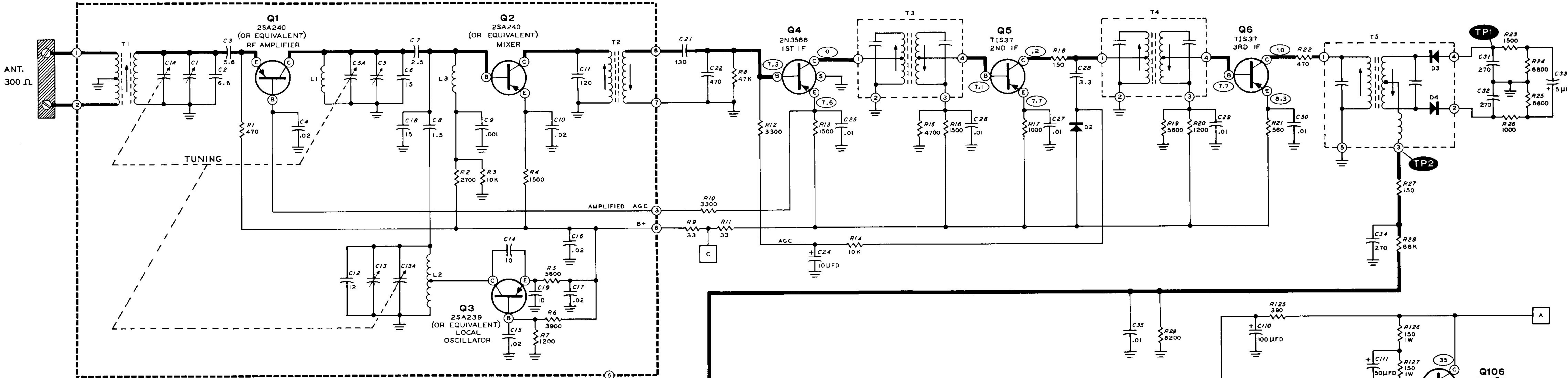
ALTERNATE
240 VOLT
WIRING



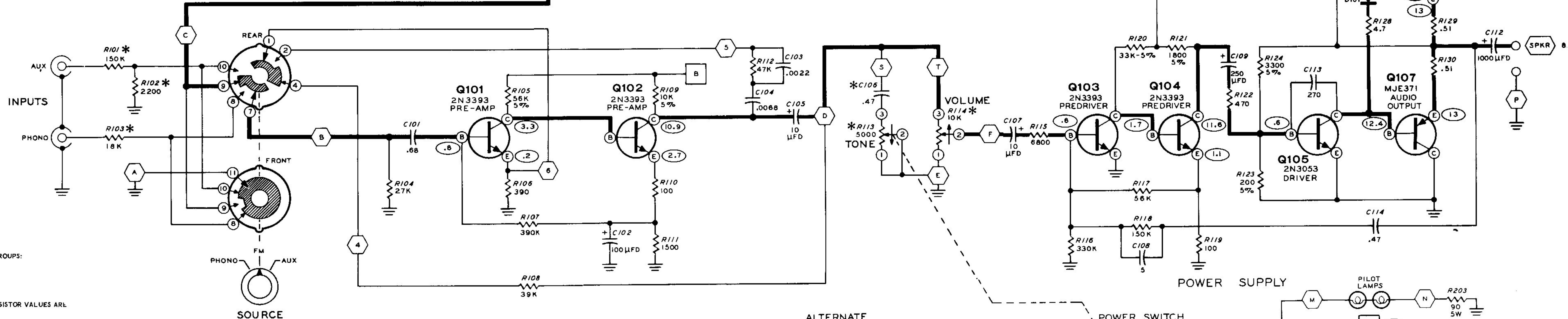
120 VAC
50/60HZ



FM TUNING UNIT



SCHEMATIC OF THE HEATHKIT® SOLID-STATE MONO FM RECEIVER MODEL AR-27



- NOTE:**
- RESISTOR AND CAPACITOR NUMBERS ARE IN THE FOLLOWING GROUPS:
 0-99 NUMBERS IN THE FM TUNER SECTION.
 100-199 NUMBERS IN THE AMPLIFIER SECTION.
 200-299 NUMBERS IN THE POWER SUPPLY SECTION.
 * DENOTES PARTS NOT MOUNTED ON THE CIRCUIT BOARD.
 - ALL RESISTORS ARE 1/2 WATT UNLESS MARKED OTHERWISE. RESISTOR VALUES ARE IN OHMS (K = 1000, MEG = 100,000).
 - CAPACITOR VALUES LESS THAN 1 ARE IN μ F. VALUES OF 1 AND ABOVE ARE IN μ F, UNLESS THEY ARE MARKED OTHERWISE.
 - THIS SYMBOL INDICATES A POSITIVE DC VOLTAGE MEASUREMENT. TAKEN WITH AN 11 MEGOHM ELECTRONIC VOLTMETER OR VTVM FROM THE POINT INDICATED TO CHASSIS GROUND.
 - INDICATES B+ VOLTAGE POINTS.
 - INDICATES CONNECTING POINTS ON THE CIRCUIT BOARD.
 - REFER TO THE CIRCUIT BOARD X-RAY VIEW AND CHASSIS PHOTO FOR THE PHYSICAL LOCATION OF PARTS.
 - INDICATES CW ROTATION.
 - ALL VOLTAGES ARE MEASURED WITH NO SIGNAL INPUT.

