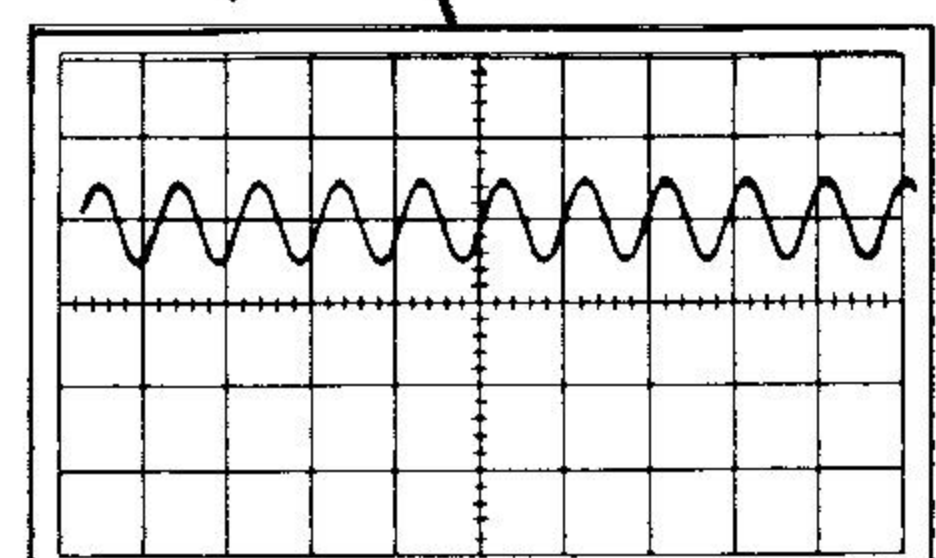


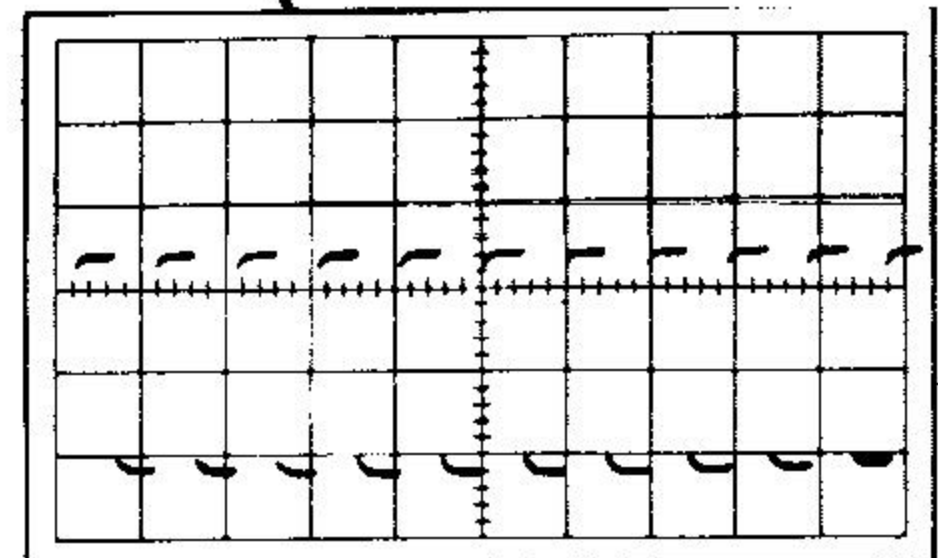
146.940
(15.1377 MHz)
404-598

LOCAL OSCILLATOR

MODULATOR

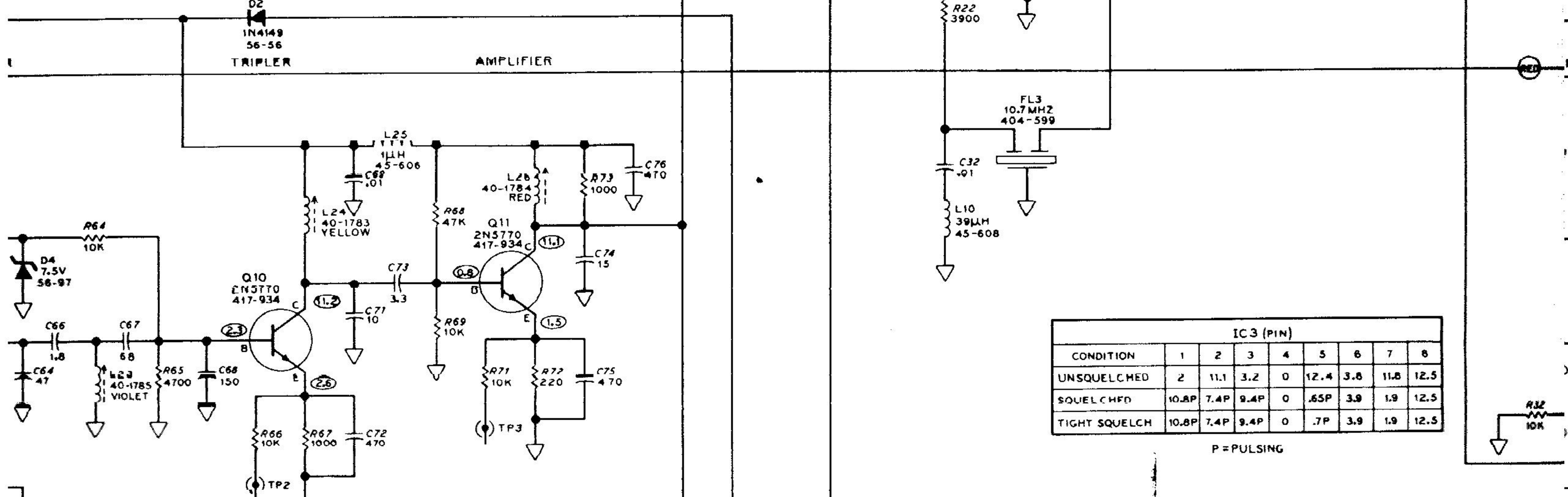
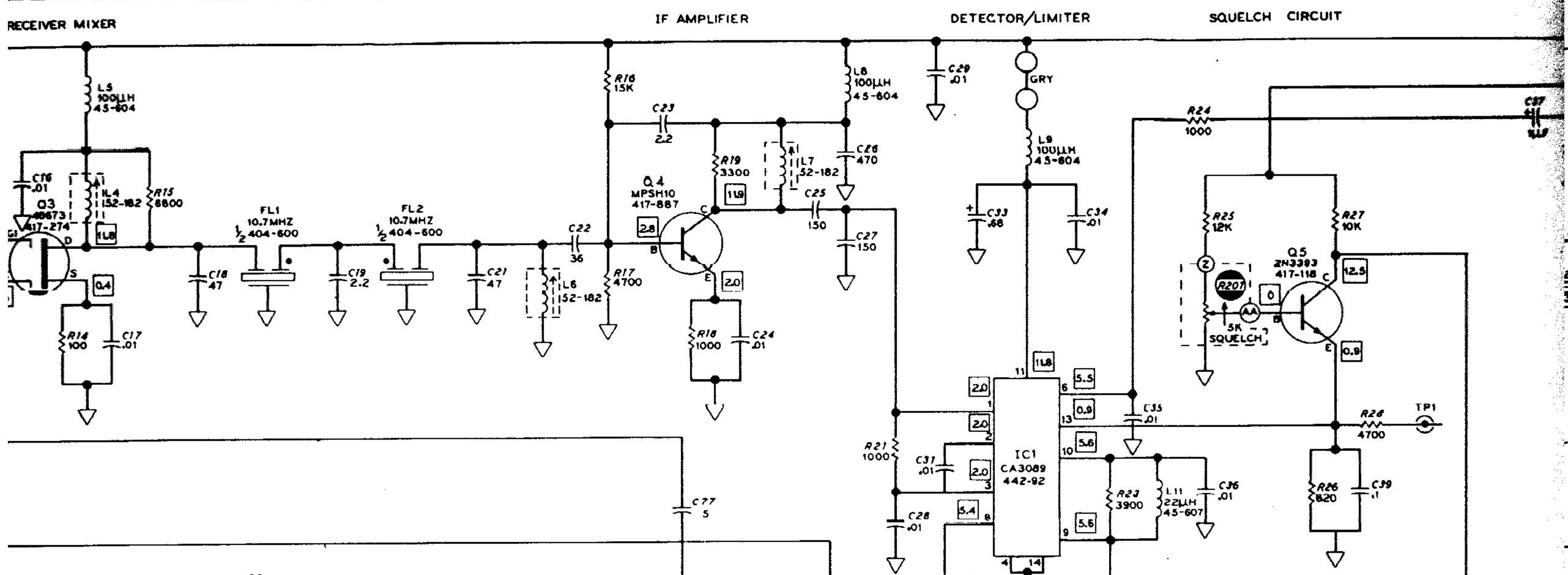


THIS WAVEFORM TAKEN IN THE TRANSMIT MODE WITH A 10mV RMS, 1KHz SIGNAL APPLIED TO CONNECTIONS C AND G (VERT=2V/CM, HORIZ=1MS/CM).



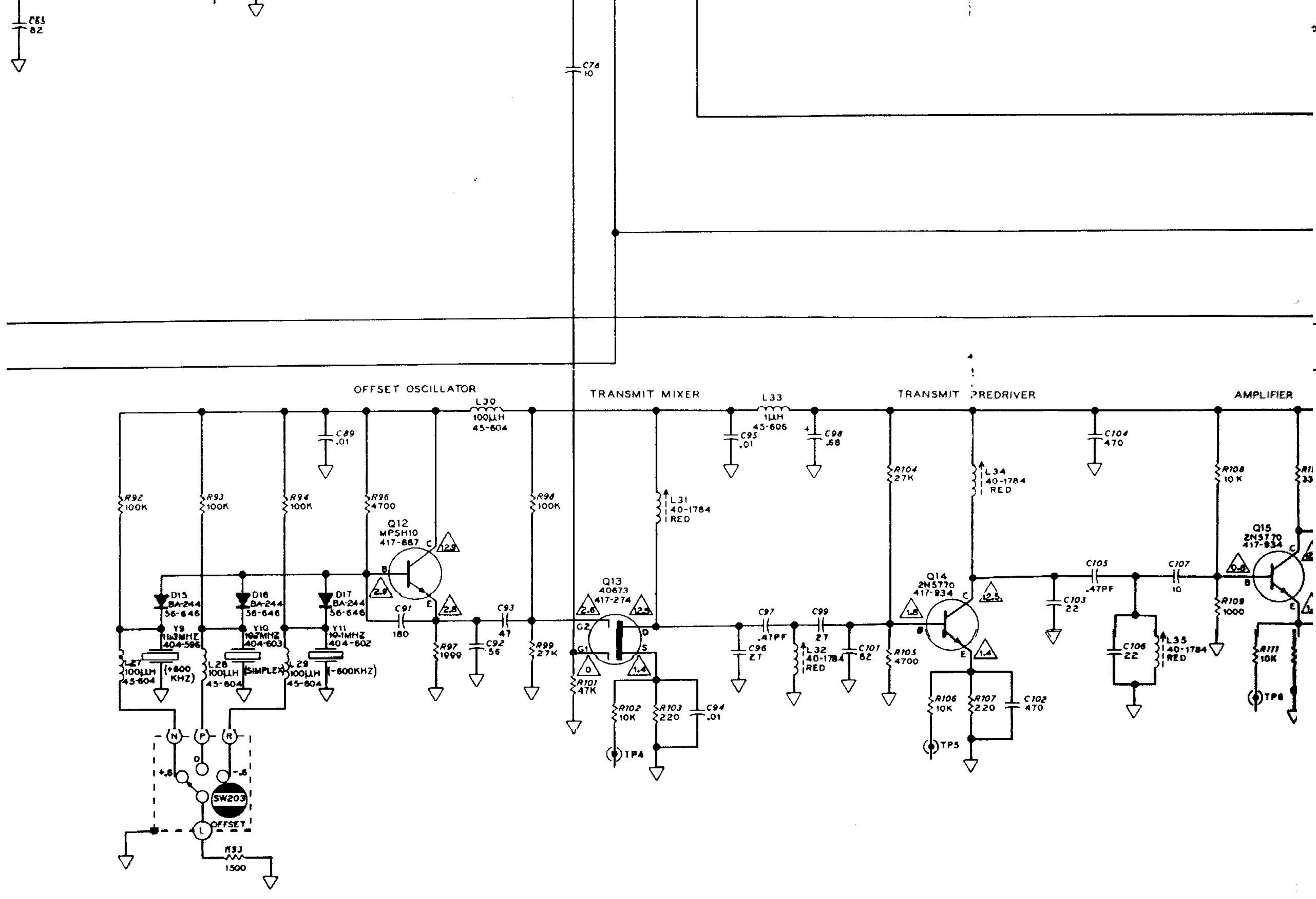
THIS WAVEFORM TAKEN IN THE TRANSMIT MODE WITH A 10mV RMS, 1KHz SIGNAL APPLIED TO CONNECTIONS C AND G (VERT=2V/CM, HORIZ=1MS/CM).

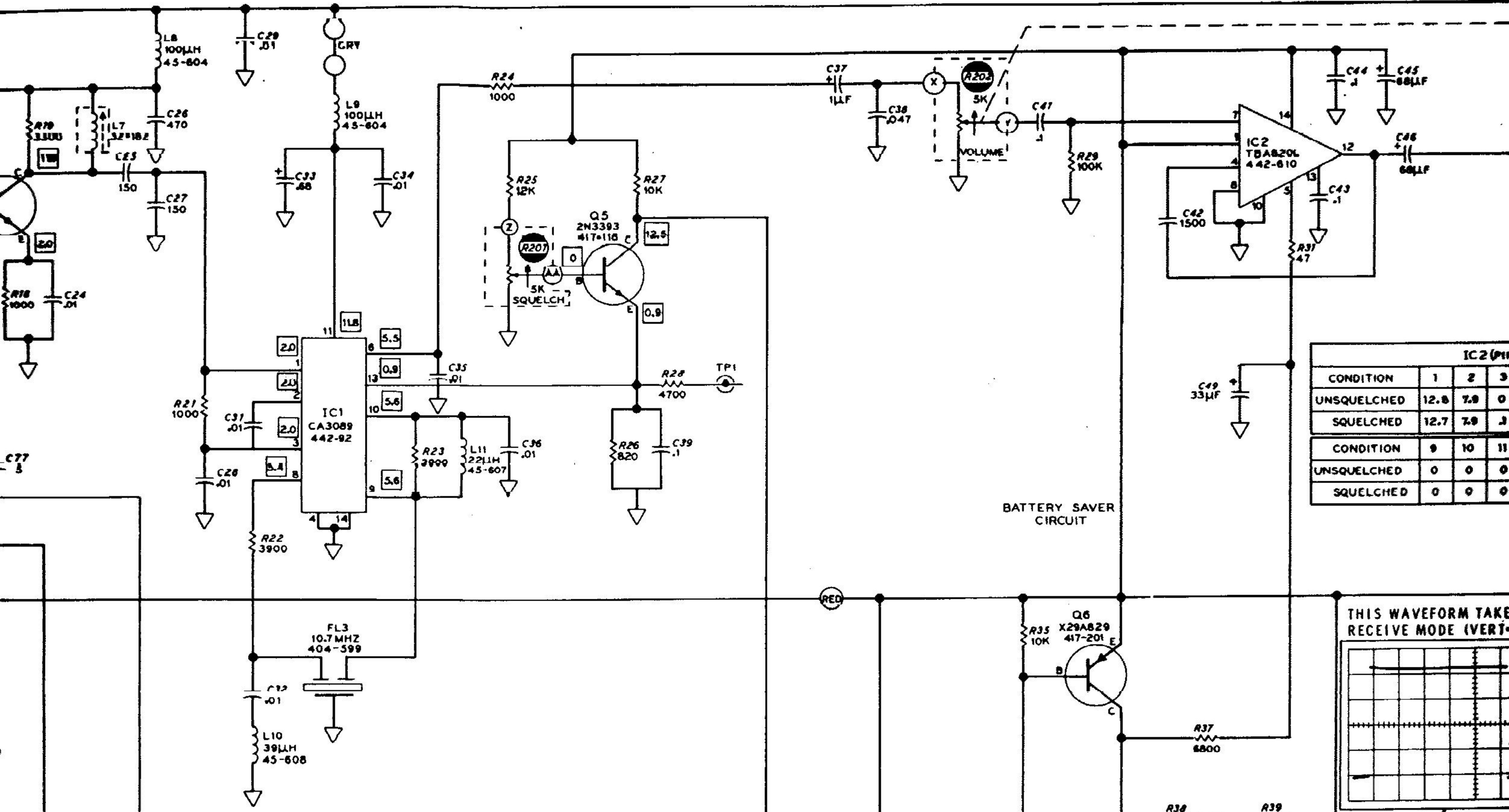
AUTO PATCH ENCODER INPUT
AUDIBLE/SUBAUDIBLE TONE/BURST INPUT



IC3 (PIN)								
CONDITION	1	2	3	4	5	6	7	8
UNSQUELCHED	2	11.1	3.2	0	12.4	3.6	11.6	12.5
SQUELCHED	10.8P	7.4P	9.4P	0	.65P	3.9	1.9	12.5
TIGHT SQUELCH	10.8P	7.4P	9.4P	0	.7P	3.9	1.9	12.5

P = PULSING



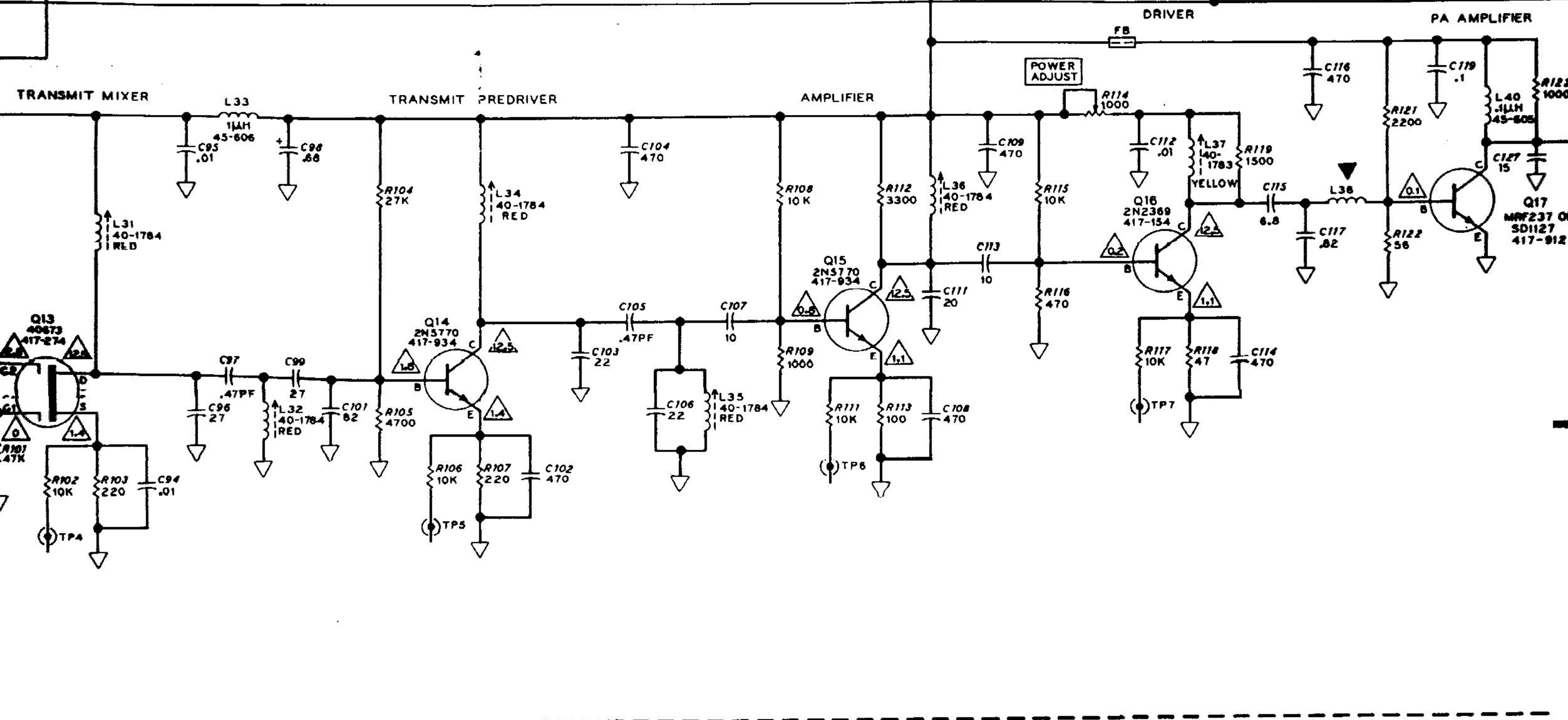
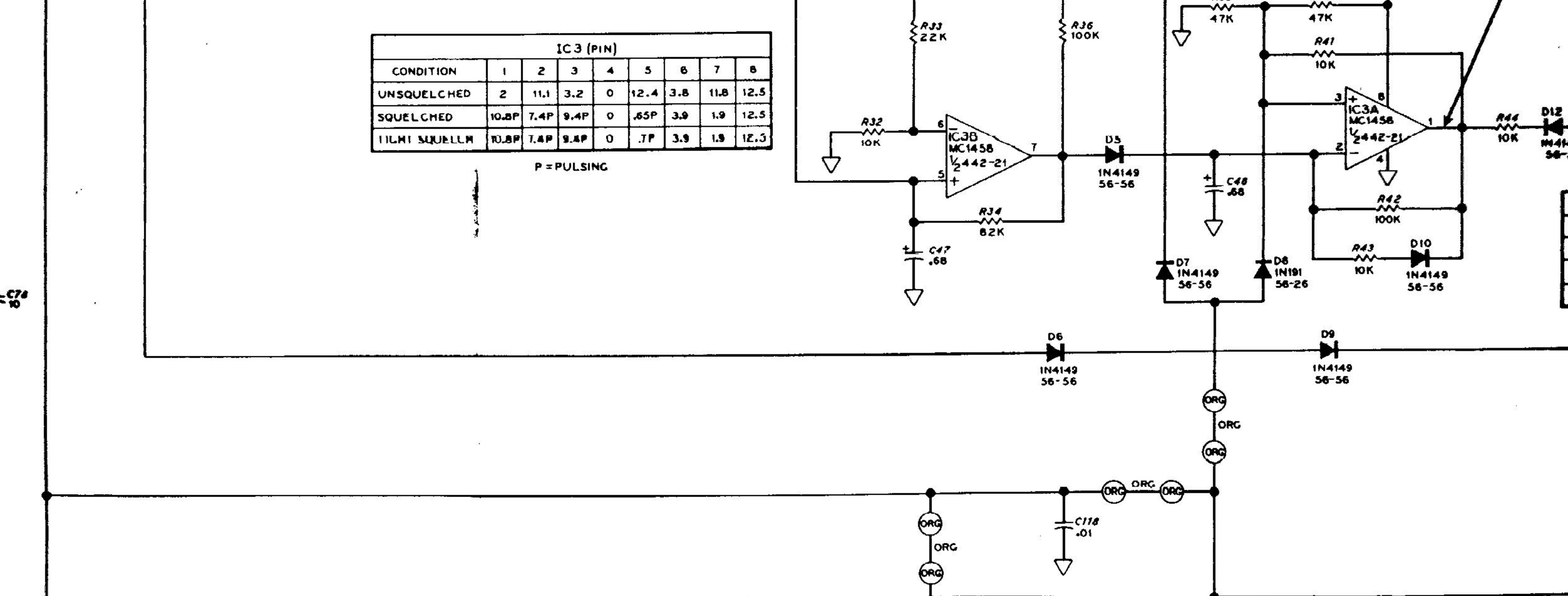
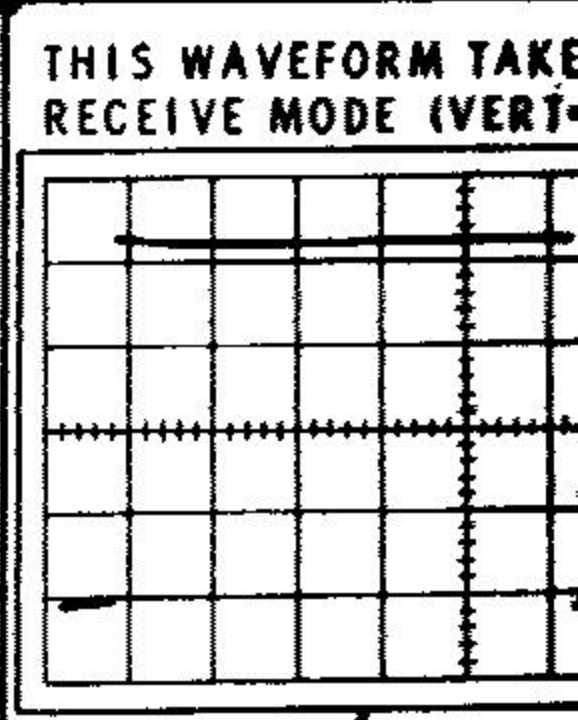


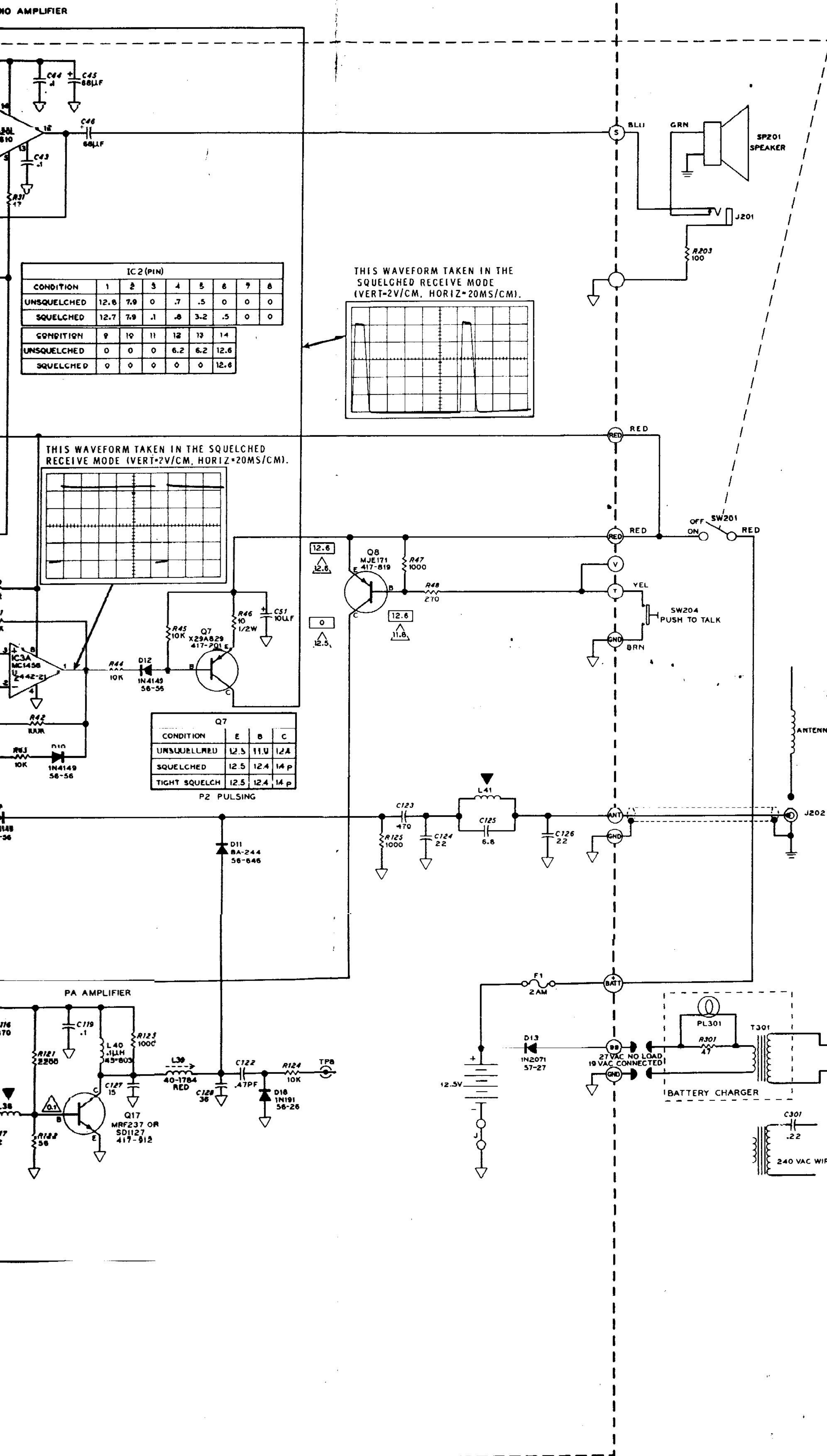
IC2 (PIN)			
CONDITION	1	2	3
UNSQUELCHED	12.8	7.9	0
SQUELCHED	12.7	7.9	0

IC2 (PIN)			
CONDITION	9	10	11
UNSQUELCHED	0	0	0
SQUELCHED	0	0	0

IC3 (PIN)								
CONDITION	1	2	3	4	5	6	7	8
UNSQUELCHED	2	11.1	3.2	0	12.4	3.8	11.8	12.5
SQUELCHED	10.8P	7.4P	9.4P	0	.65P	3.9	1.9	12.5
11LM1 SQUELLED	10.8P	7.4P	9.4P	0	.7P	3.9	1.9	12.3

P = PULSING





**SCHEMATIC OF THE
HEATHKIT®
HAND-HELD 2-METER TRANSCEIVER
MODEL VF-2031**

NOTES:

1. COMPONENT NUMBERS ARE IN THE FOLLOWING GROUPS:

- 1-199 PARTS ON THE CIRCUIT BOARD.
- 201-299 PARTS ON THE CASE.
- 301-399 PARTS IN THE CHARGER.

2. ALL RESISTORS ARE 1/4-WATT, 5% TOLERANCE, UNLESS OTHERWISE NOTED. RESISTOR VALUES ARE IN OHMS, k=1000.

3. CAPACITORS LESS THAN 1 ARE IN μF (MICROFARADS). ALL OTHER CAPACITORS ARE pF (PICOFARADS) UNLESS OTHERWISE NOTED.

4. ARROWS AT CONTROLS INDICATE CLOCKWISE ROTATION AS VIEWED FROM THE SHAFT END, OR TOP OF, THE CONTROL.

5. THIS SYMBOL INDICATES A POSITIVE DC VOLTAGE MEASURED WITH A HIGH INPUT IMPEDANCE VOLT-METER FROM THE POINT INDICATED TO CASE GROUND. ALL VOLTAGES ARE ± 20%.

- 6. THIS SYMBOL INDICATES A VOLTAGE MEASURED IN THE RECEIVE MODE.
- 7. THIS SYMBOL INDICATES A VOLTAGE MEASURED IN THE TRANSMIT MODE.
- 8. THIS SYMBOL INDICATES CIRCUIT BOARD GROUND.
- 9. THIS SYMBOL INDICATES CASE GROUND.
- 10. THIS SYMBOL INDICATES A SOLDERED CONNECTION TO THE CIRCUIT BOARD.
- 11. THIS SYMBOL INDICATES A COIL WOUND BY THE KITBUILDER.
- 12. THIS SYMBOL INDICATES A TEST POINT.
- 13. THIS SYMBOL INDICATES A COMPONENT DRAWN WITHIN THE CIRCUIT BOARD OUTLINE THAT IS ACTUALLY MOUNTED ON THE CASE.
- 14. REFER TO THE CIRCUIT BOARD "X-RAY VIEWS" FOR THE PHYSICAL LOCATION OF PARTS.

Part of 595-2085-05