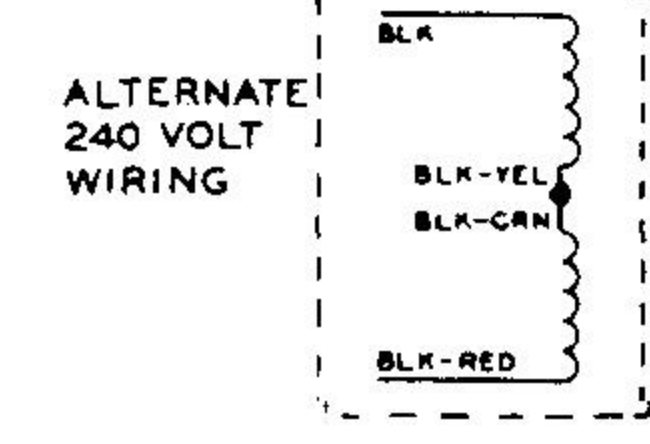
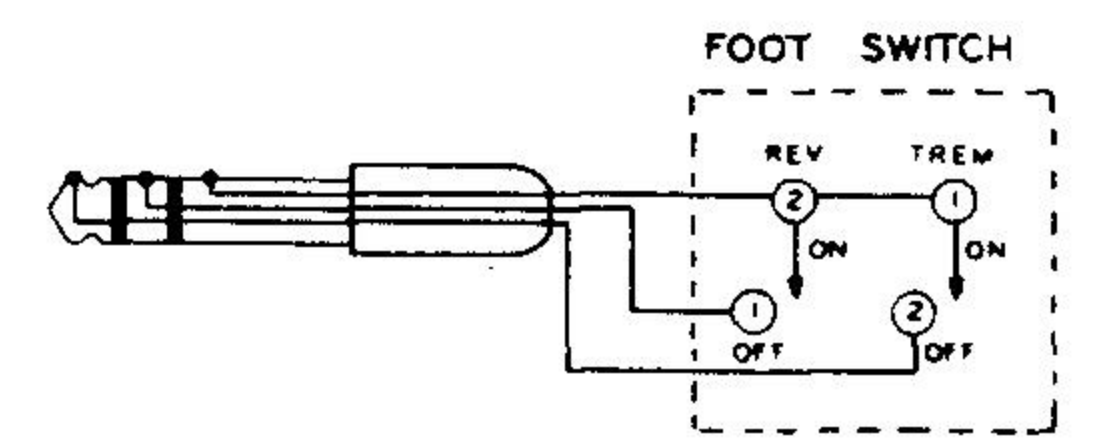


**SCHEMATIC OF THE
HEATHKIT®
SOLID-STATE
COMBO AMPLIFIER
MODEL TA-17**

- NOTES:**
1. RESISTOR AND CAPACITOR NUMBERS ARE IN THE FOLLOWING GROUPS:
 1 - 99 PARTS IN THE GUITAR PREAMPLIFIER CIRCUITS
 100 - 199 PARTS IN THE BASS PREAMPLIFIER CIRCUITS
 200 - 299 PARTS IN THE MIC-PHONO PREAMPLIFIER CIRCUITS
 300 - 399 PARTS IN THE POWER AMPLIFIER CIRCUITS
 400 - 499 PARTS IN THE REVERBERATION AND TREMOLO CIRCUITS
 500 - 599 PARTS IN THE POWER SUPPLY CIRCUITS
 600 - 699 PARTS MOUNTED ON THE CHASSIS
 2. ALL RESISTORS ARE 1/2 WATT UNLESS MARKED OTHERWISE. RESISTOR VALUES ARE IN OHMS (K=1,000, MEG=1,000,000).
 3. ALL CAPACITOR VALUES ARE IN μ F UNLESS MARKED OTHERWISE.
 4. ○ THIS SYMBOL INDICATES A POSITIVE DC VOLTAGE MEASUREMENT, TAKEN WITH AN 11 MEGOHM VTVM, FROM THE POINT INDICATED TO CHASSIS GROUND. VOLTAGES MAY VARY $\pm 20\%$.
 5. * AN ASTERISK INDICATES THAT THESE DC VOLTAGES HAVE AN AC VOLTAGE SUPERIMPOSED ON THEM FROM THE TREMOLO OSCILLATOR. THESE VOLTAGES ARE MEASURED WITH THE RATE CONTROL FULL CLOCKWISE AND THE DEPTH CONTROL FULL COUNTERCLOCKWISE.
 6. ◇ THIS SYMBOL INDICATES HOLE LOCATIONS ON THE CIRCUIT BOARD.
 7. ↻ THIS SYMBOL INDICATES CLOCKWISE ROTATION OF CONTROL.
 8. REFER TO THE CHASSIS PHOTOGRAPHS AND CIRCUIT BOARD X-RAY VIEWS FOR THE PHYSICAL LOCATION OF PARTS.



SCHEMATIC OF THE HEATHKIT® SOLID-STATE COMBO AMPLIFIER MODEL TA-17

NOTES:

1. RESISTOR AND CAPACITOR NUMBERS ARE IN THE FOLLOWING GROUPS:

1 - 99	PARTS IN THE GUITAR PREAMPLIFIER CIRCUITS
100 - 199	PARTS IN THE BASS PREAMPLIFIER CIRCUITS
200 - 299	PARTS IN THE MIC-PHONO PREAMPLIFIER CIRCUITS
300 - 399	PARTS IN THE POWER AMPLIFIER CIRCUITS
400 - 499	PARTS IN THE REVERBERATION AND TREMOLO CIRCUITS
500 - 599	PARTS IN THE POWER SUPPLY CIRCUITS
600 - 699	PARTS MOUNTED ON THE CHASSIS

2. ALL RESISTORS ARE 1/2 WATT UNLESS MARKED OTHERWISE. RESISTOR VALUES ARE IN OHMS (K=1000, MEG=1,000,000).

3. ALL CAPACITOR VALUES ARE IN μfd UNLESS MARKED OTHERWISE.

4.  THIS SYMBOL INDICATES A POSITIVE DC VOLTAGE MEASUREMENT, TAKEN WITH AN 11 MEGOHM VTVM, FROM THE POINT INDICATED TO CHASSIS GROUND. VOLTAGES MAY VARY $\pm 20\%$.

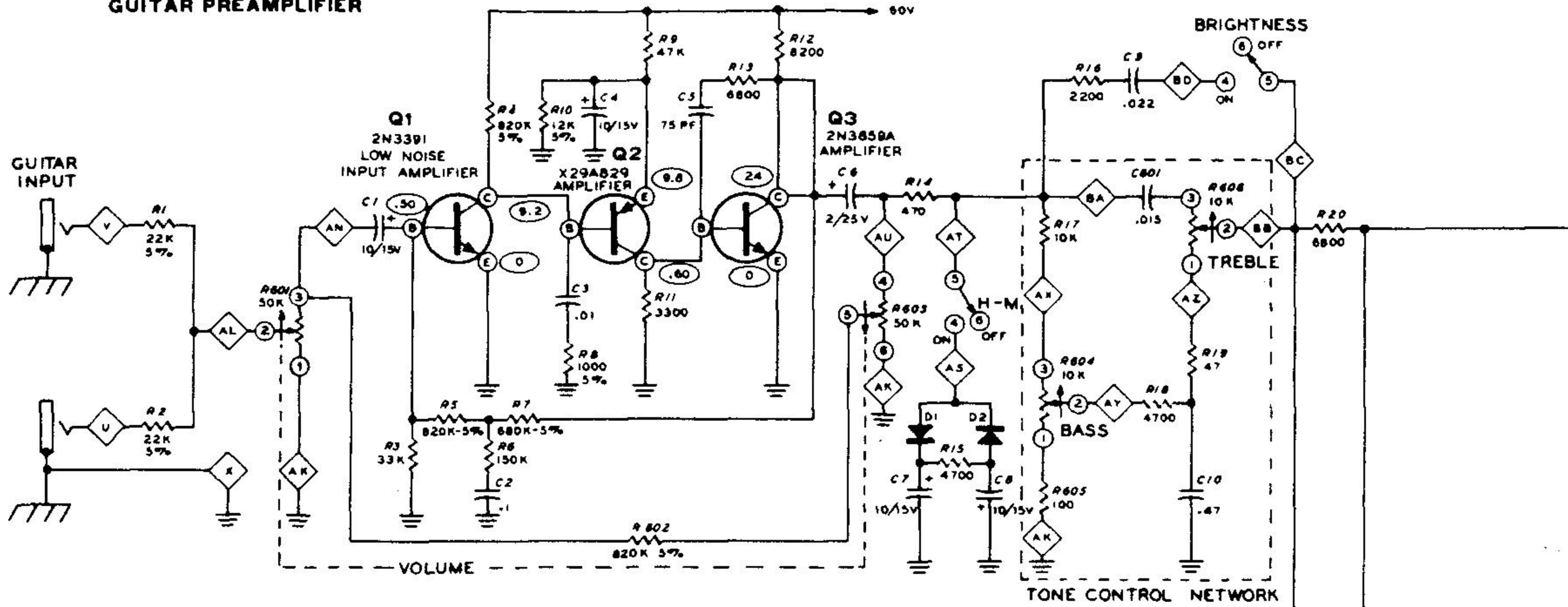
5. * AN ASTERISK INDICATES THAT THESE DC VOLTAGES HAVE AN AC VOLTAGE SUPERIMPOSED ON THEM FROM THE TREMOLO OSCILLATOR. THESE VOLTAGES ARE MEASURED WITH THE RATE CONTROL FULL CLOCKWISE AND THE DEPTH CONTROL FULL COUNTERCLOCKWISE.

6.  THIS SYMBOL INDICATES HOLE LOCATIONS ON THE CIRCUIT BOARD.

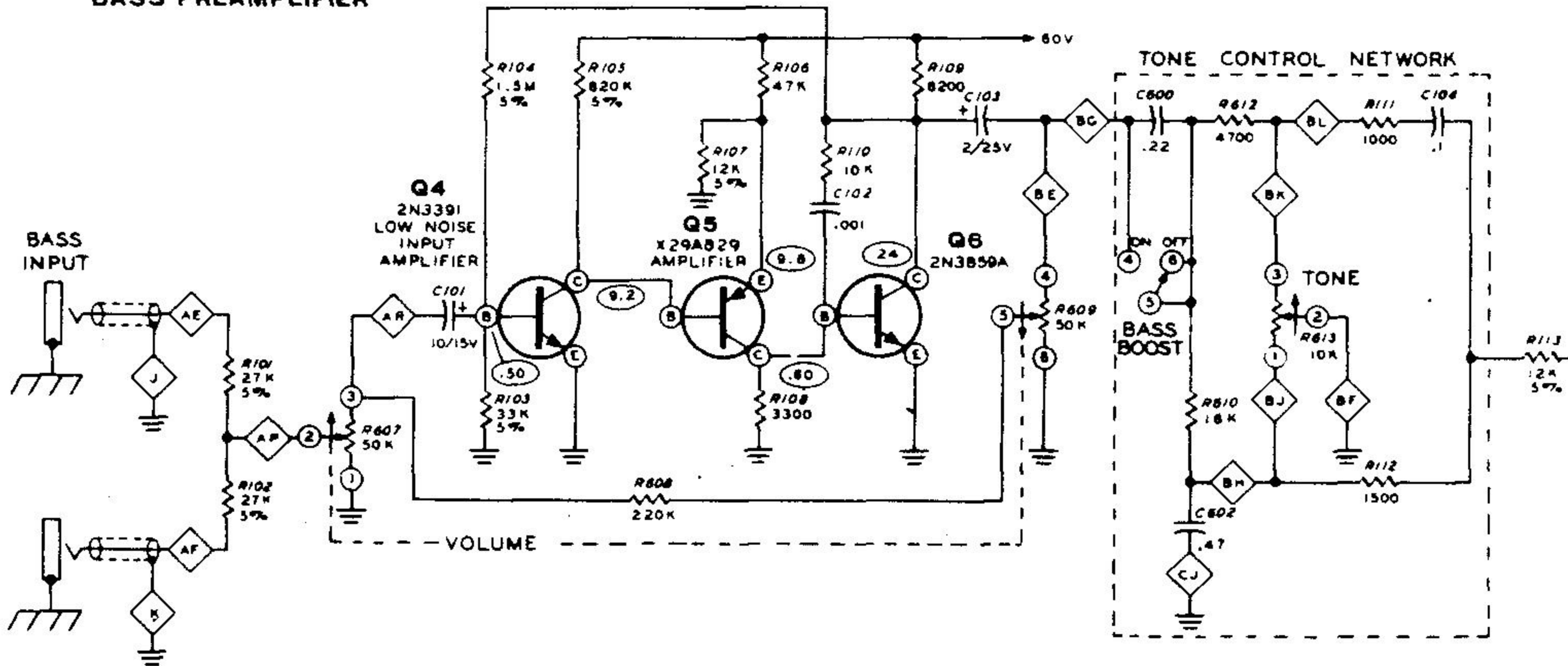
7.  THIS SYMBOL INDICATES CLOCKWISE ROTATION OF CONTROL.

8. REFER TO THE CHASSIS PHOTOGRAPHS AND CIRCUIT BOARD X-RAY VIEWS FOR THE PHYSICAL LOCATION OF PARTS.

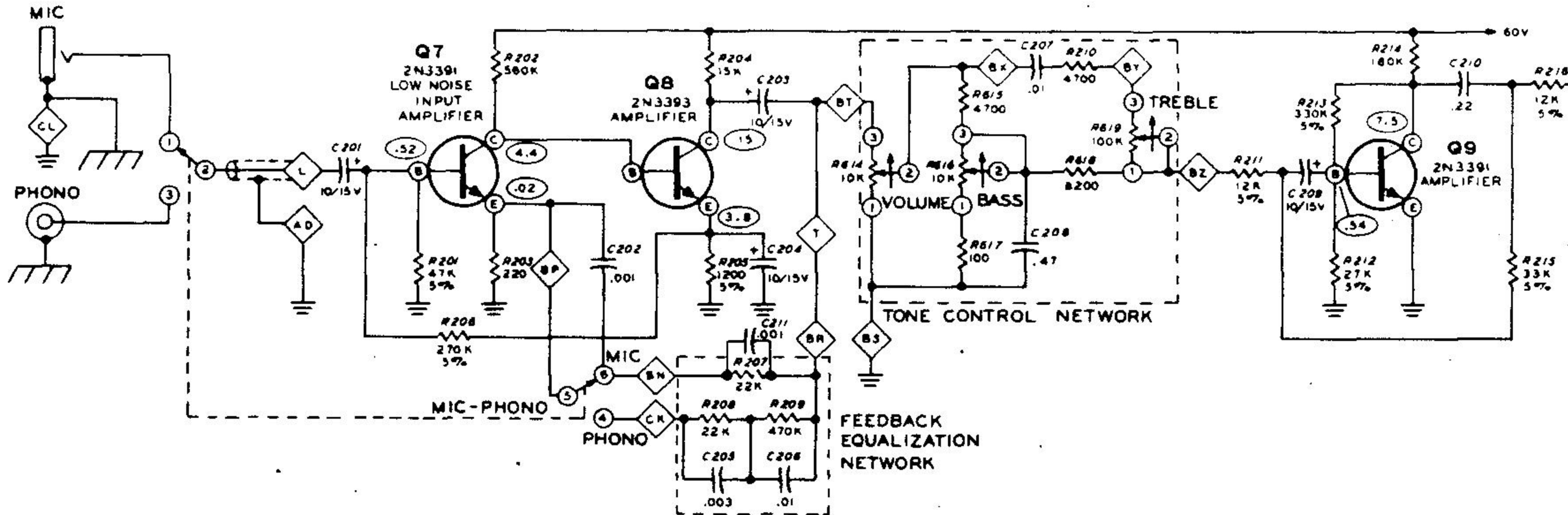
GUITAR PREAMPLIFIER



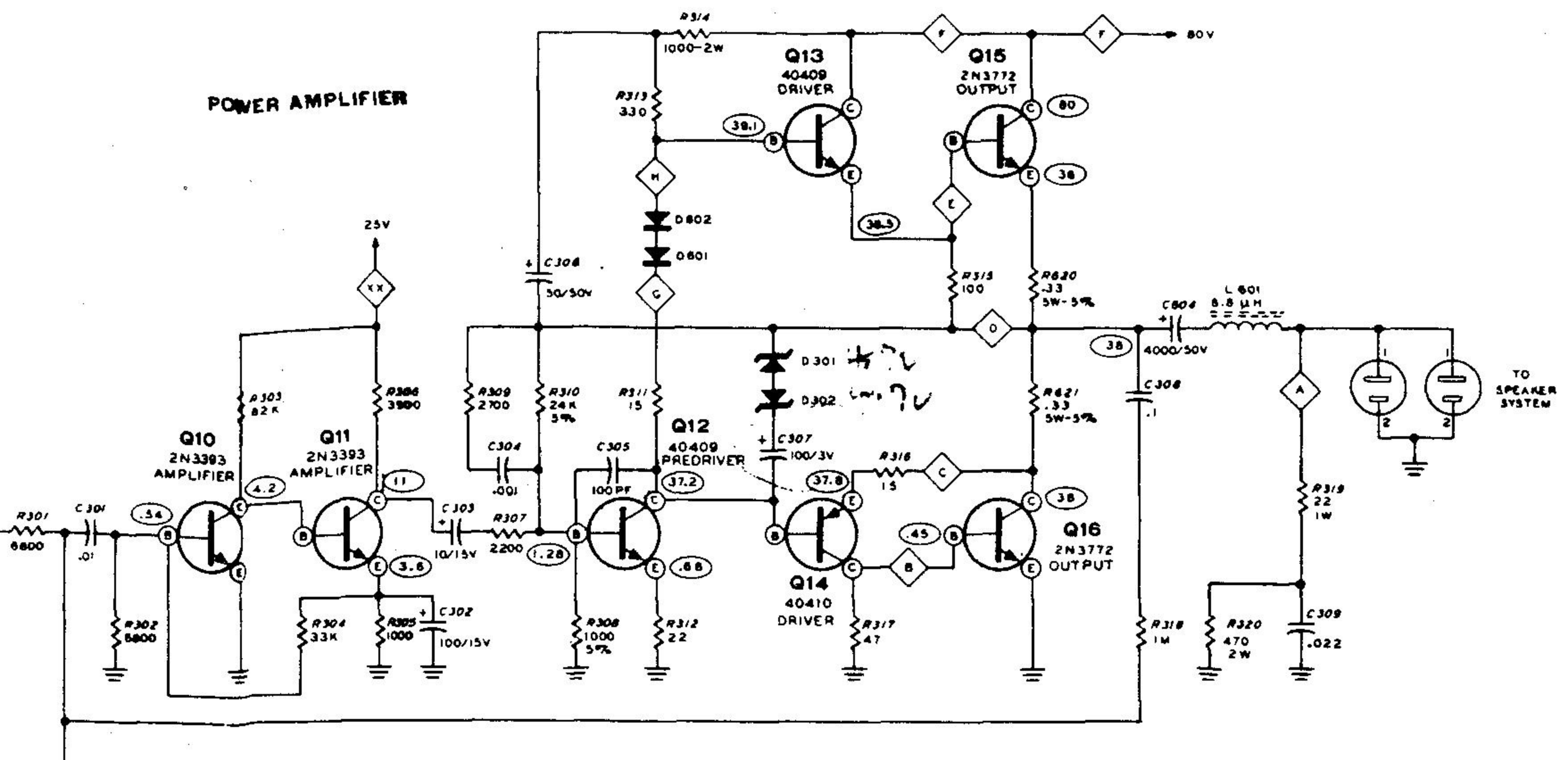
BASS PREAMPLIFIER



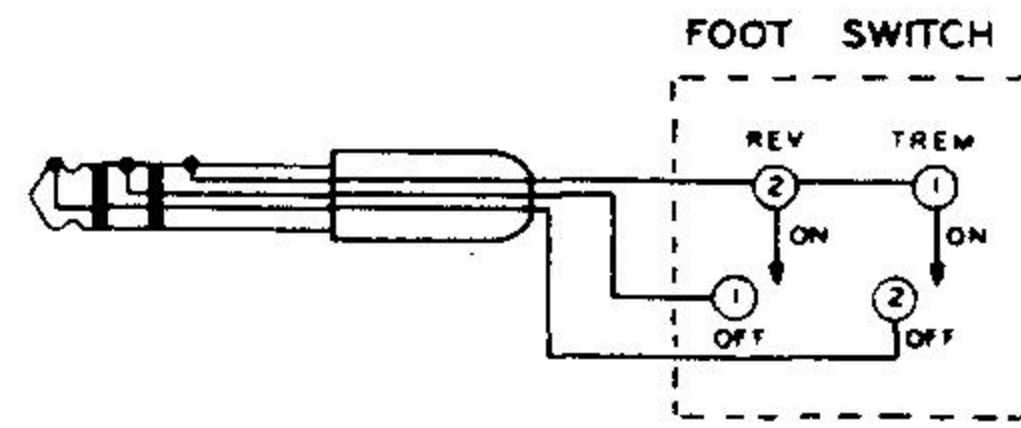
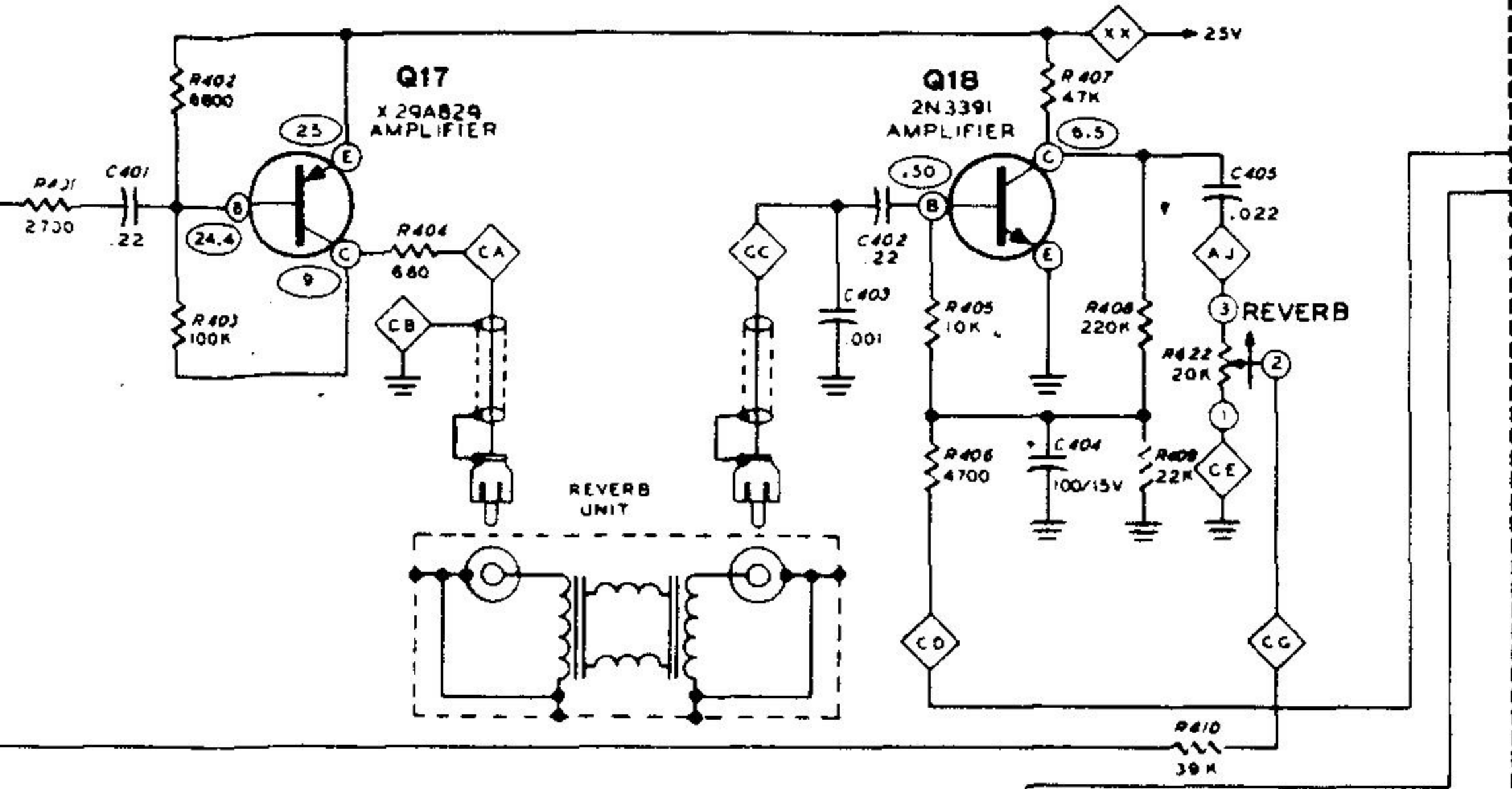
MIC-PHONO PREAMPLIFIER



POWER AMPLIFIER



REVERBERATION

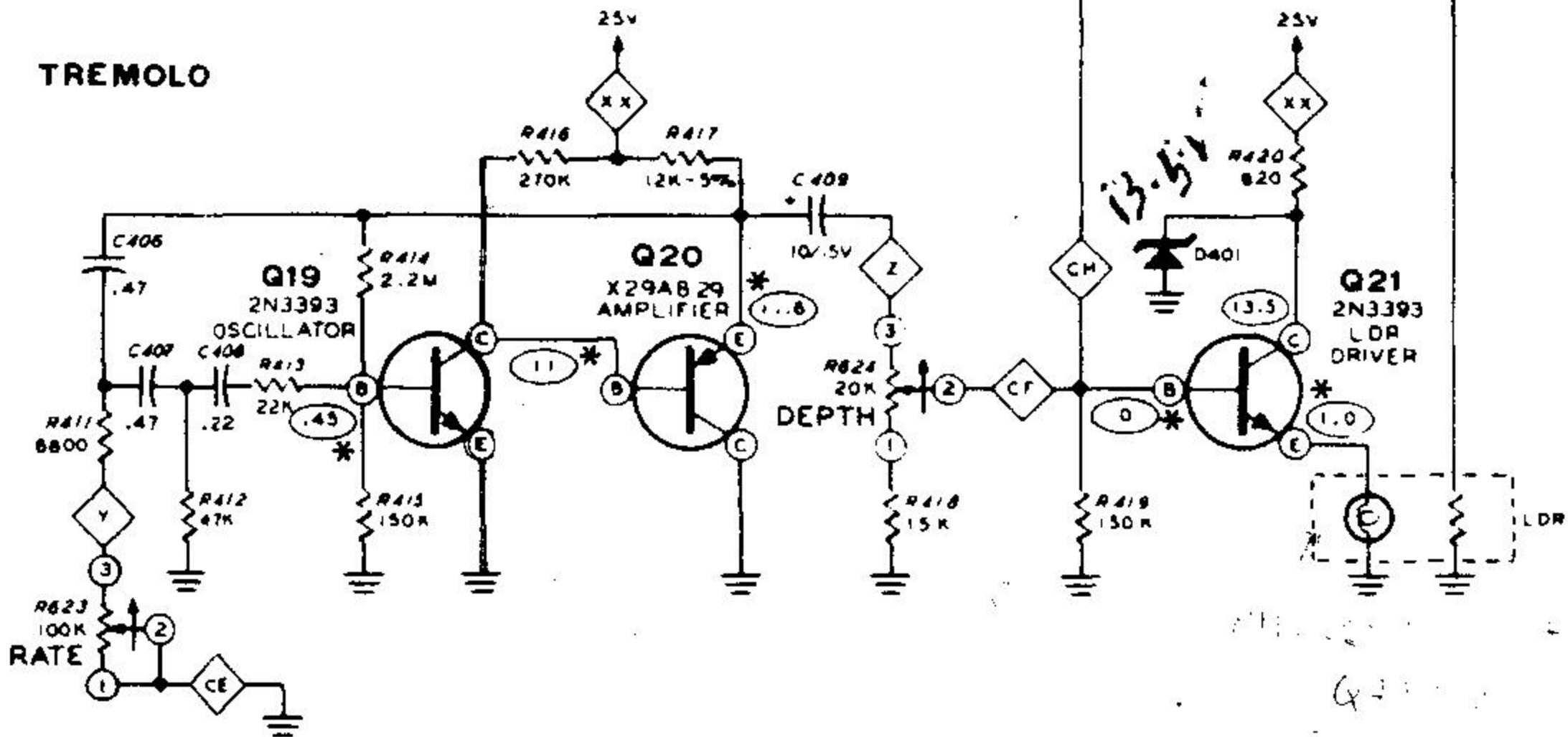


SCHEMATIC OF THE HEATHKIT® SOLID-STATE COMBO AMPLIFIER MODEL TA-17

NOTES:

1. RESISTOR AND CAPACITOR NUMBERS ARE IN THE FOLLO

TREMOLO



POWER SUPPLY

