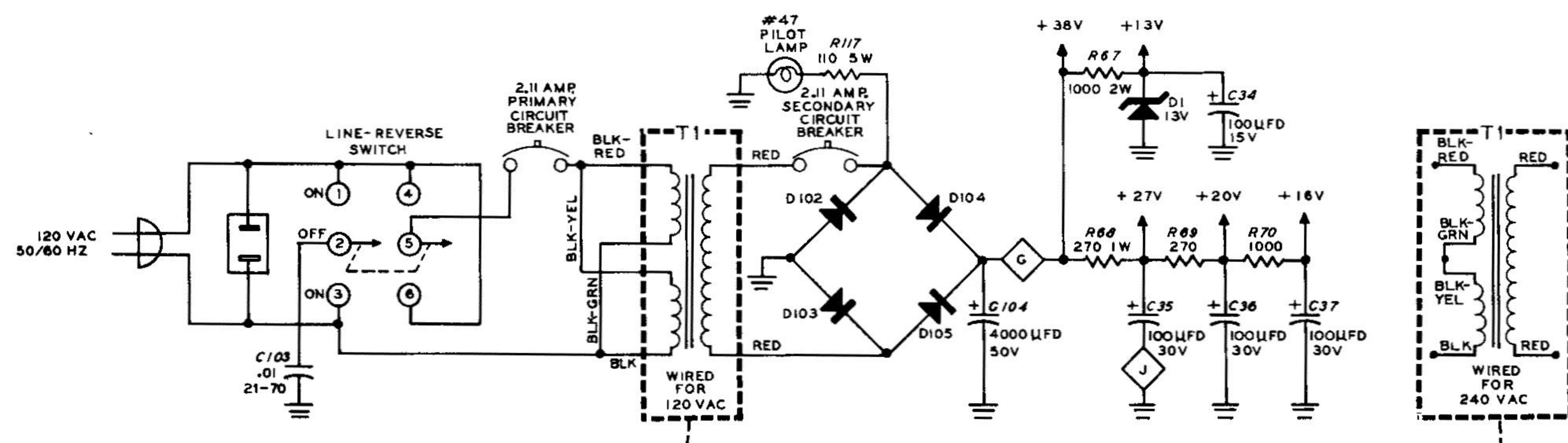
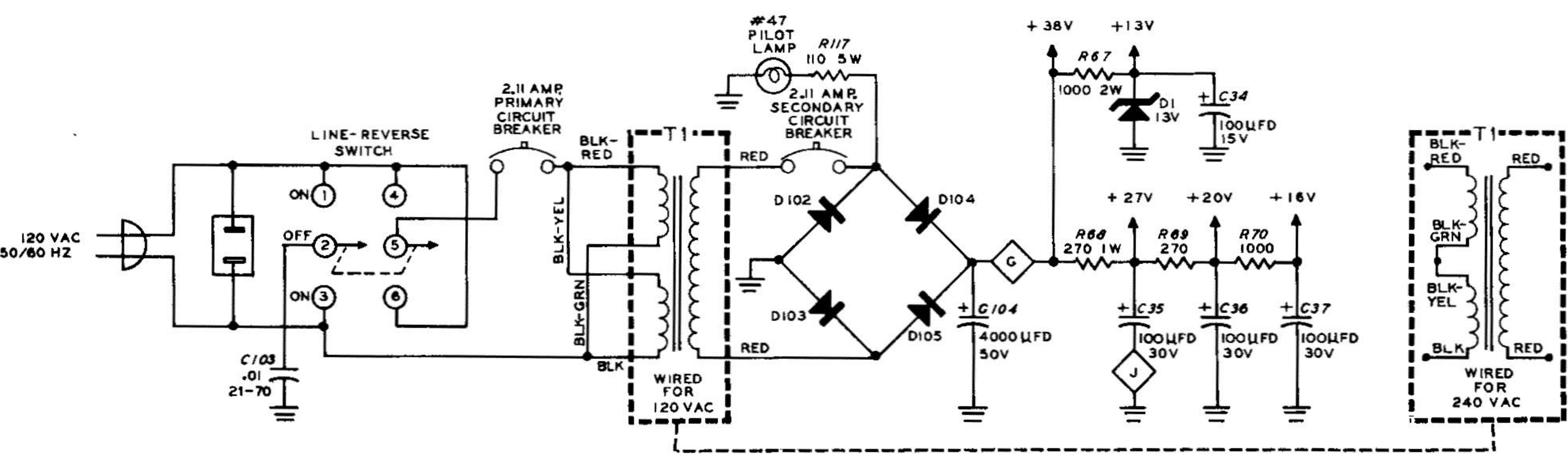
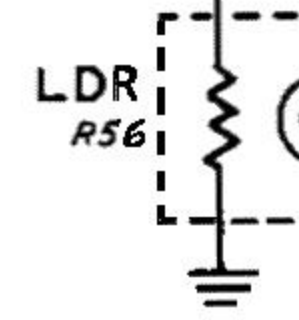
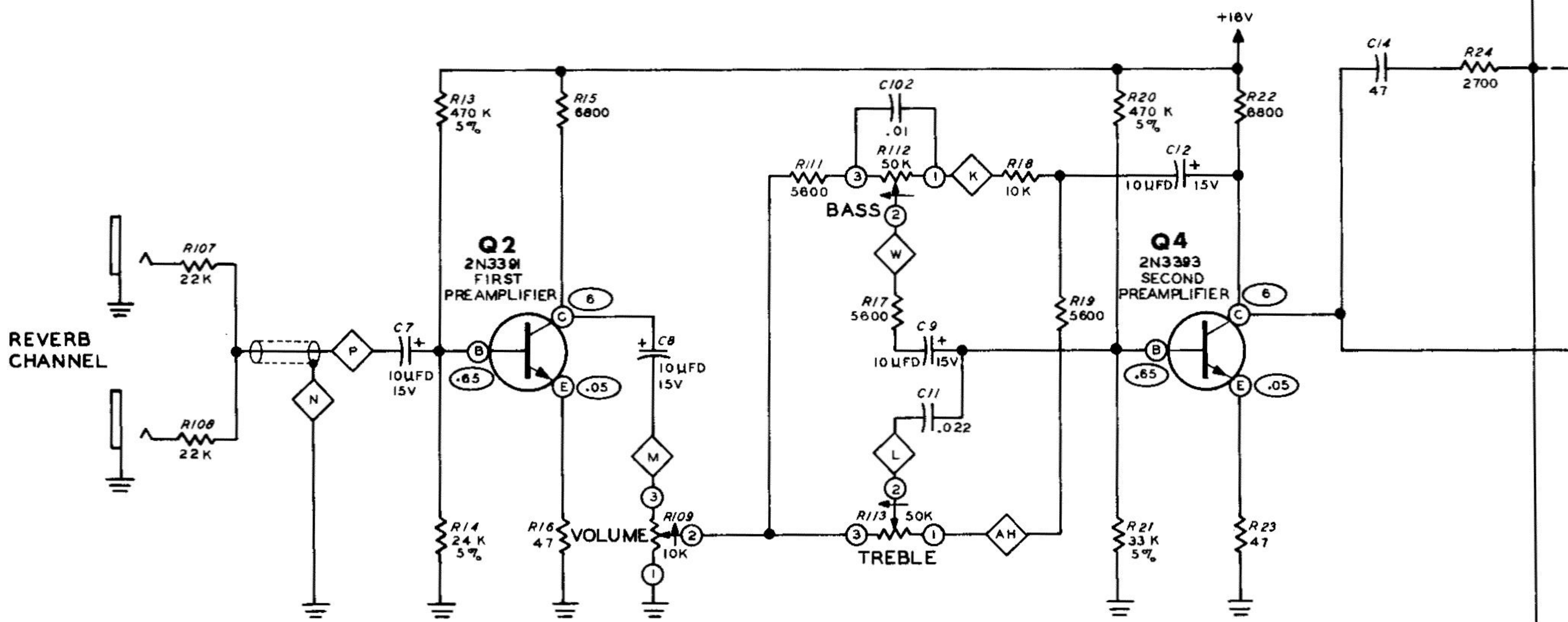
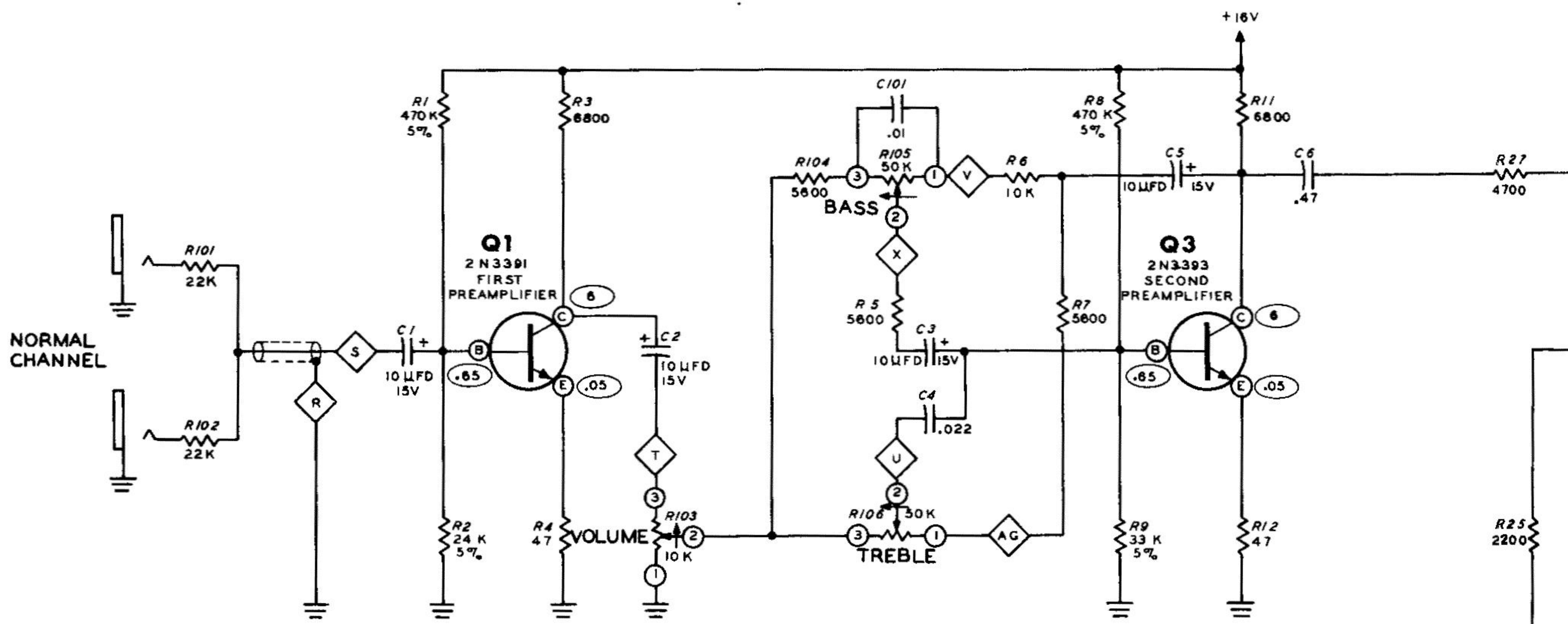
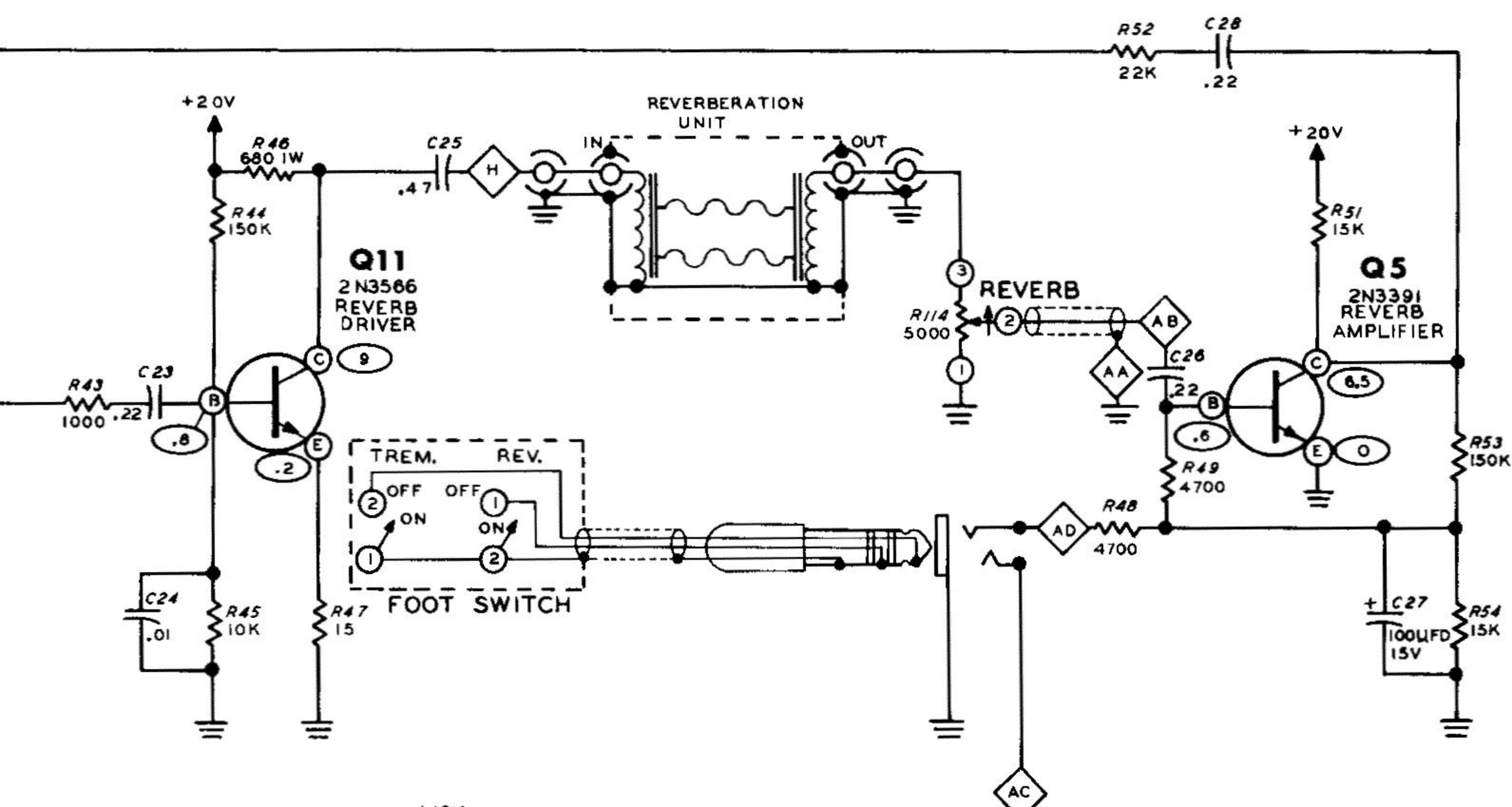
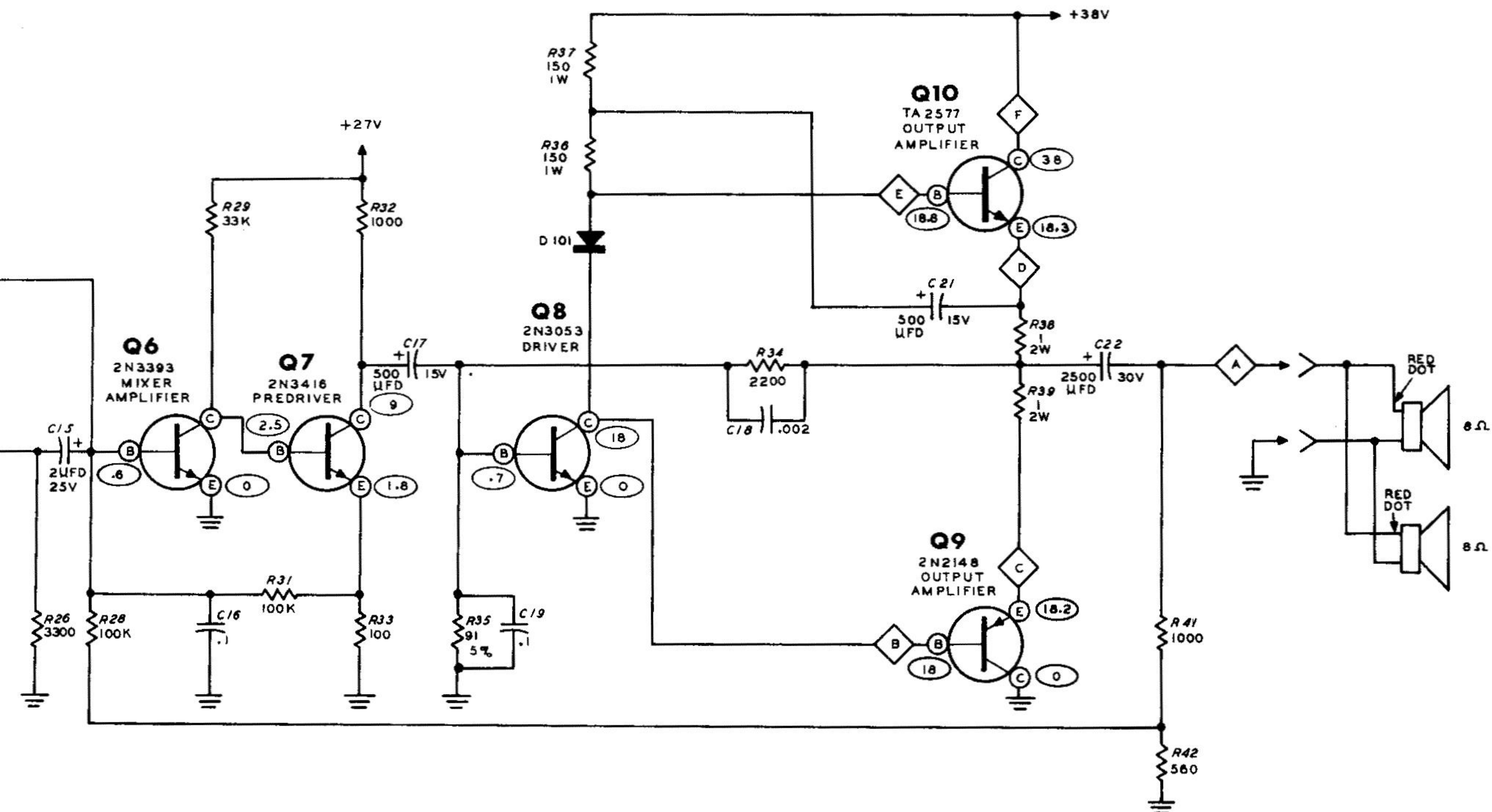


**SCHEMATIC OF THE
HEATHKIT®
SOLID-STATE
GUITAR AMPLIFIER
MODEL TA-16**

- NOTES:
1. RESISTOR AND CAPACITOR NUMBERS ARE IN THE FOLLOWING GROUPS:
0 - 99 PARTS MOUNTED ON THE CIRCUIT BOARD.
100 - 199 PARTS MOUNTED ON THE CHASSIS.
 2. ALL RESISTORS ARE 1/2 WATT UNLESS MARKED OTHERWISE.
RESISTOR VALUES ARE IN OHMS (K = 1,000, MEG = 1,000,000).
 3. CAPACITOR VALUES LESS THAN 1 ARE IN μ FD. VALUES OF 1 AND ABOVE ARE IN pF, UNLESS THEY ARE MARKED OTHERWISE.
 4. ○ THIS SYMBOL INDICATES A POSITIVE DC VOLTAGE MEASUREMENT, TAKEN WITH AN 11 MEGOHM VTVM, FROM THE POINT INDICATED TO CHASSIS GROUND. VOLTAGES MAY VARY $\pm 20\%$.
 5. → INDICATES CLOCKWISE ROTATION OF CONTROL.
 6. ◇ DENOTES CIRCUIT BOARD HOLES DESIGNATION.
 7. REFER TO THE X-RAY VIEW AND CHASSIS PHOTOGRAPHS (FOLD-OUT FROM PAGE 38) FOR THE PHYSICAL LOCATION OF PARTS.







SCHEMATIC OF THE HEATHKIT® SOLID-STATE GUITAR AMPLIFIER MODEL TA-16

NOTES:

1. RESISTOR AND CAPACITOR NUMBERS ARE IN THE FOLLOWING GROUPS:
0 - 99 PARTS MOUNTED ON THE CIRCUIT BOARD.
100 - 199 PARTS MOUNTED ON THE CHASSIS.
2. ALL RESISTORS ARE 1/2 WATT UNLESS MARKED OTHERWISE.
RESISTOR VALUES ARE IN OHMS (K = 1000, MEG = 1,000,000).
3. CAPACITOR VALUES LESS THAN 1 ARE IN μ fd. VALUES OF 1 AND ABOVE ARE IN pf, UNLESS THEY ARE MARKED OTHERWISE.
4. ○ THIS SYMBOL INDICATES A POSITIVE DC VOLTAGE MEASUREMENT, TAKEN WITH AN 11 MEGOHM VTVM, FROM THE POINT INDICATED TO CHASSIS GROUND. VOLTAGES MAY VARY $\pm 20\%$.
5. → INDICATES CLOCKWISE ROTATION OF CONTROL.
6. ◇ DENOTES CIRCUIT BOARD HOLES DESIGNATION.
7. REFER TO THE X-RAY VIEW AND CHASSIS PHOTOGRAPHS (FOLD-OUT FROM PAGE 38) FOR THE PHYSICAL LOCATION OF PARTS.