

**SCHEMATIC OF THE  
HEATHKIT®  
SOLID STATE FM STEREO TUNER  
MODEL AJ-14**

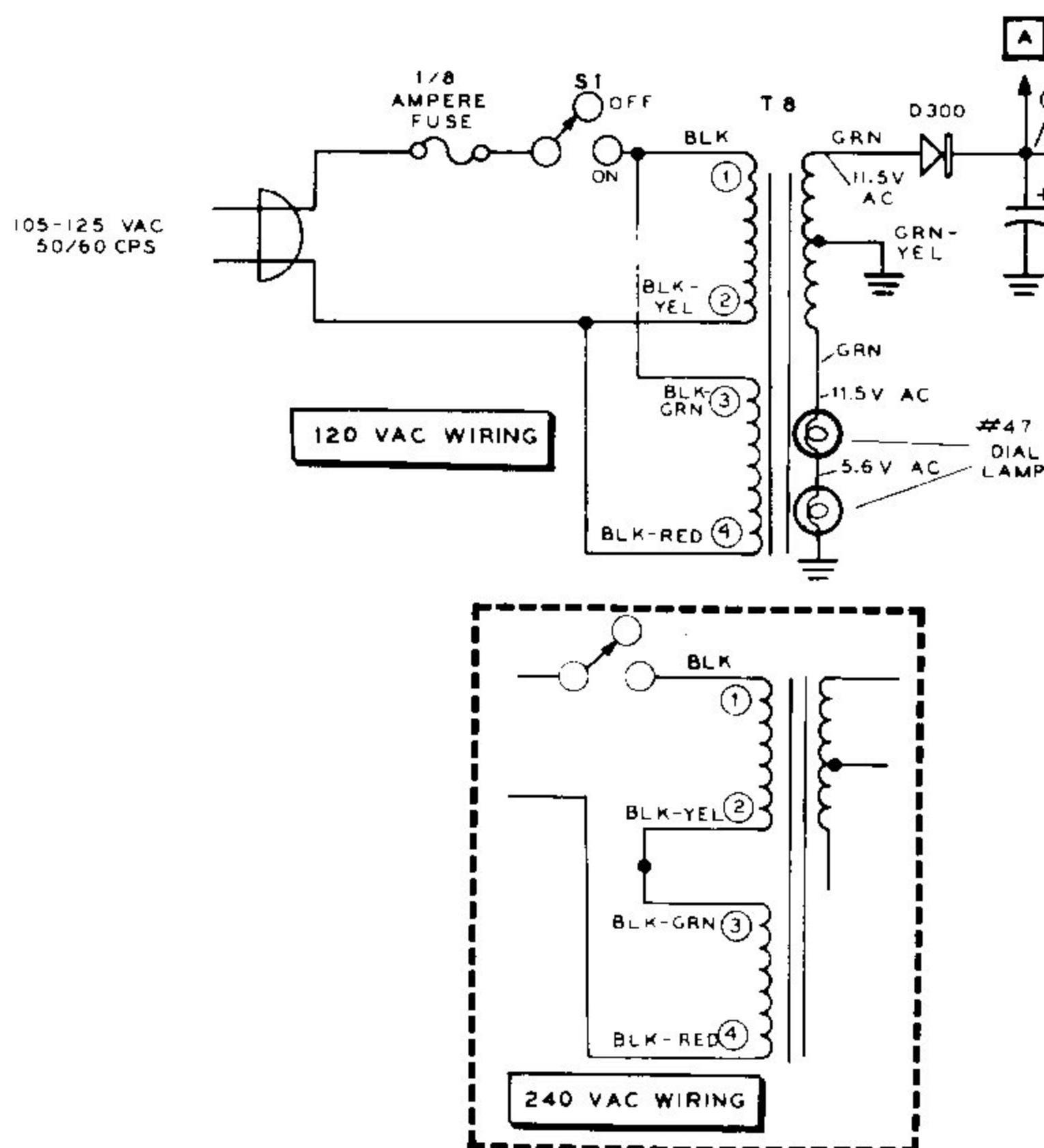
**NOTES:**

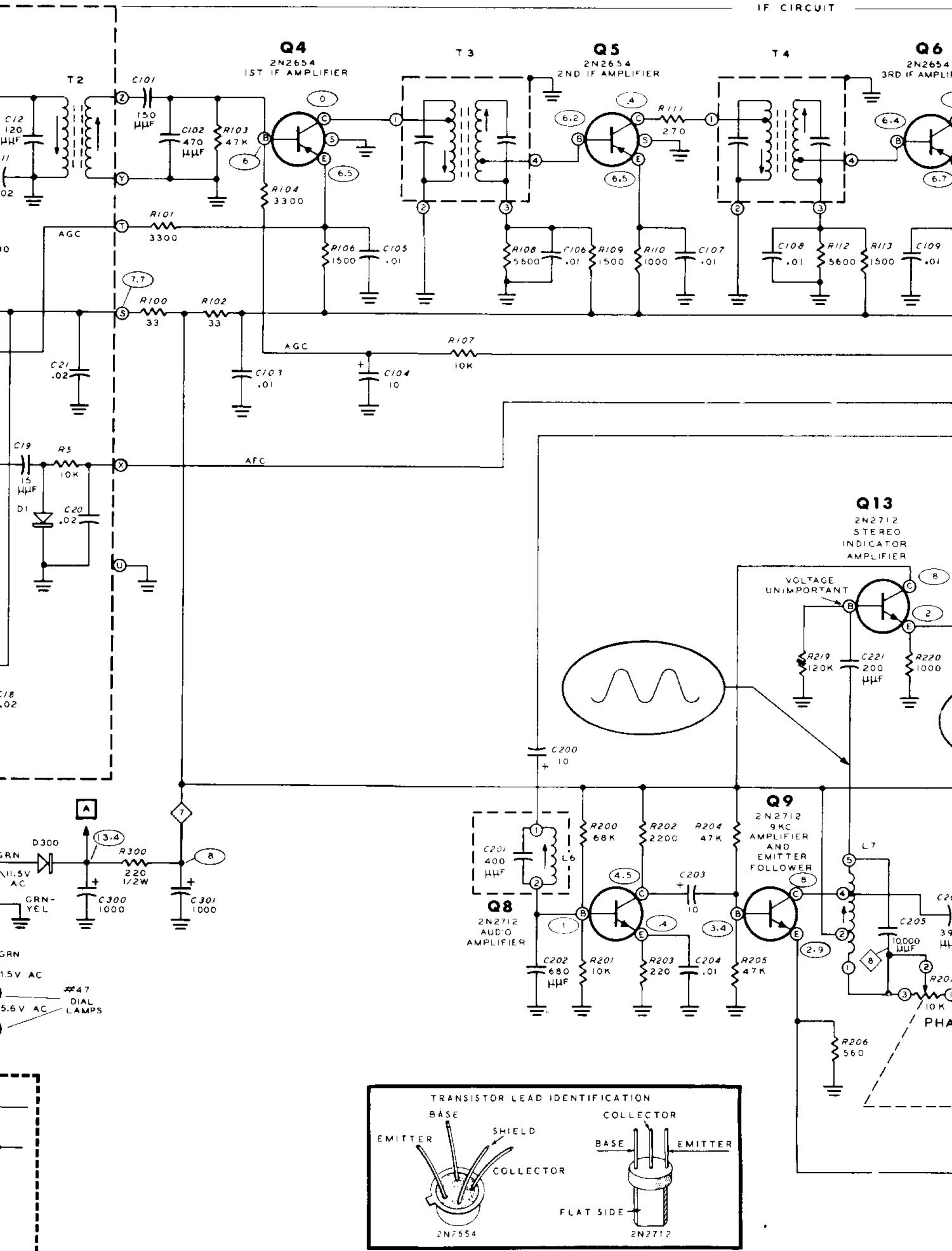
- ALL RESISTORS ARE 1/4 WATT UNLESS MARKED OTHERWISE.
- ALL RESISTOR VALUES ARE IN OHMS (K = 1000, MEG = 1,000,000).
- ALL CAPACITOR VALUES ARE IN  $\mu$ F UNLESS MARKED OTHERWISE.
- ⊙ INDICATES VOLTAGE READING.
- ALL VOLTAGES ARE DC POSITIVE UNLESS MARKED OTHERWISE.
- ALL VOLTAGES ARE MEASURED FROM POINT INDICATED TO CHASSIS GROUND.
- VOLTAGE READINGS TAKEN WITH AN 11 MEGOHM INPUT VTVM.
- VOLTAGES MAY VARY  $\pm 20\%$ .
- MEASUREMENTS MADE WITHOUT ANTENNA CONNECTED, SWITCH S2 AT STEREO POSITION, AND PHASE SWITCH PUSHED IN.
- Ⓢ INDICATES TEST POINTS.
- ◇ INDICATES CONNECTING POINTS ON CIRCUIT BOARD.
- REFER TO THE X-RAY VIEW FOR THE PHYSICAL LOCATION OF PARTS.

LETTER-NUMBER DESIGNATIONS FOR COMPONENTS ARE AS FOLLOWS:

1 - 99	FM TUNING UNIT
100 - 199	IF CIRCUIT
200 - 299	FM STEREO MULTIPLEX CIRCUIT
300 - 399	POWER SUPPLY

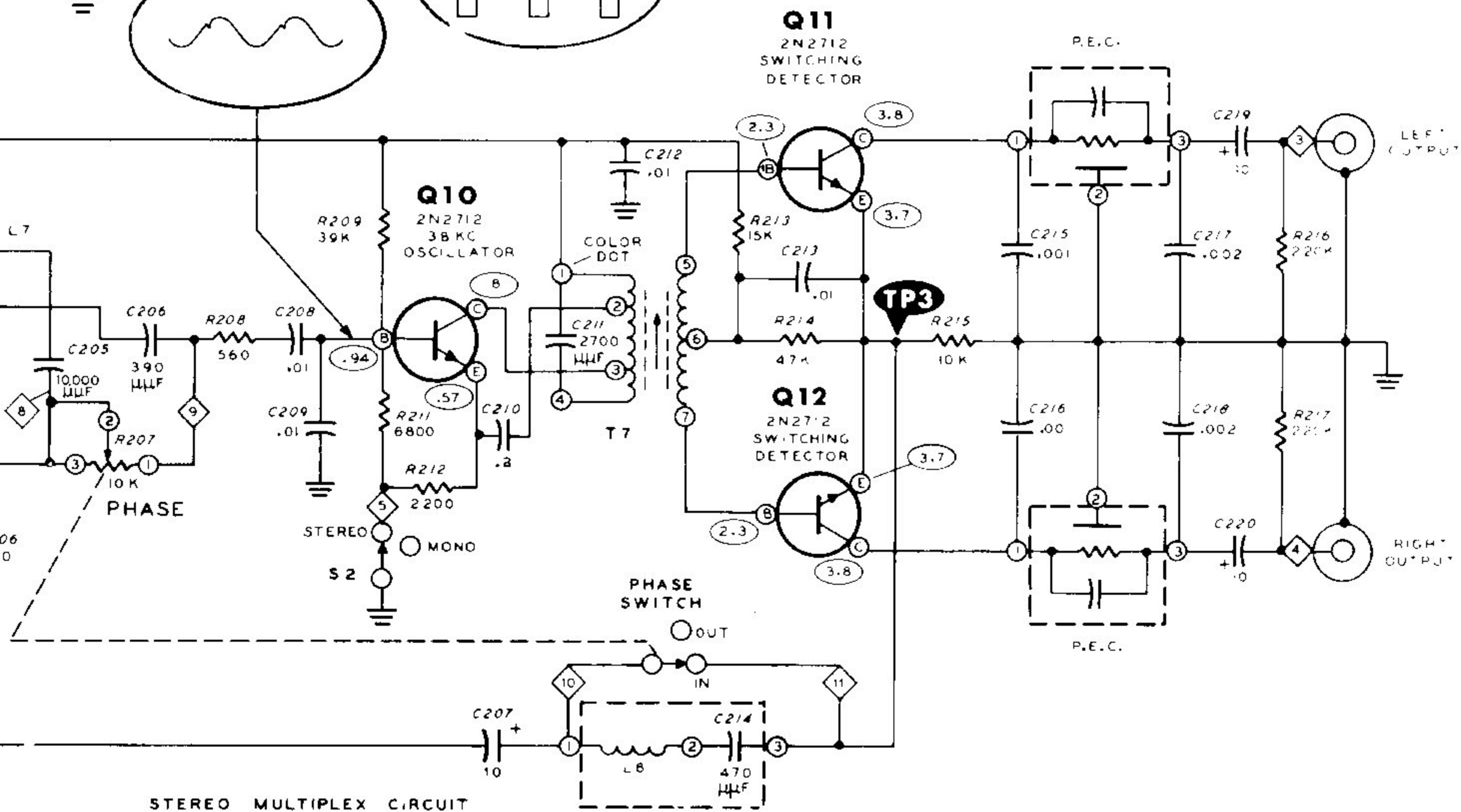
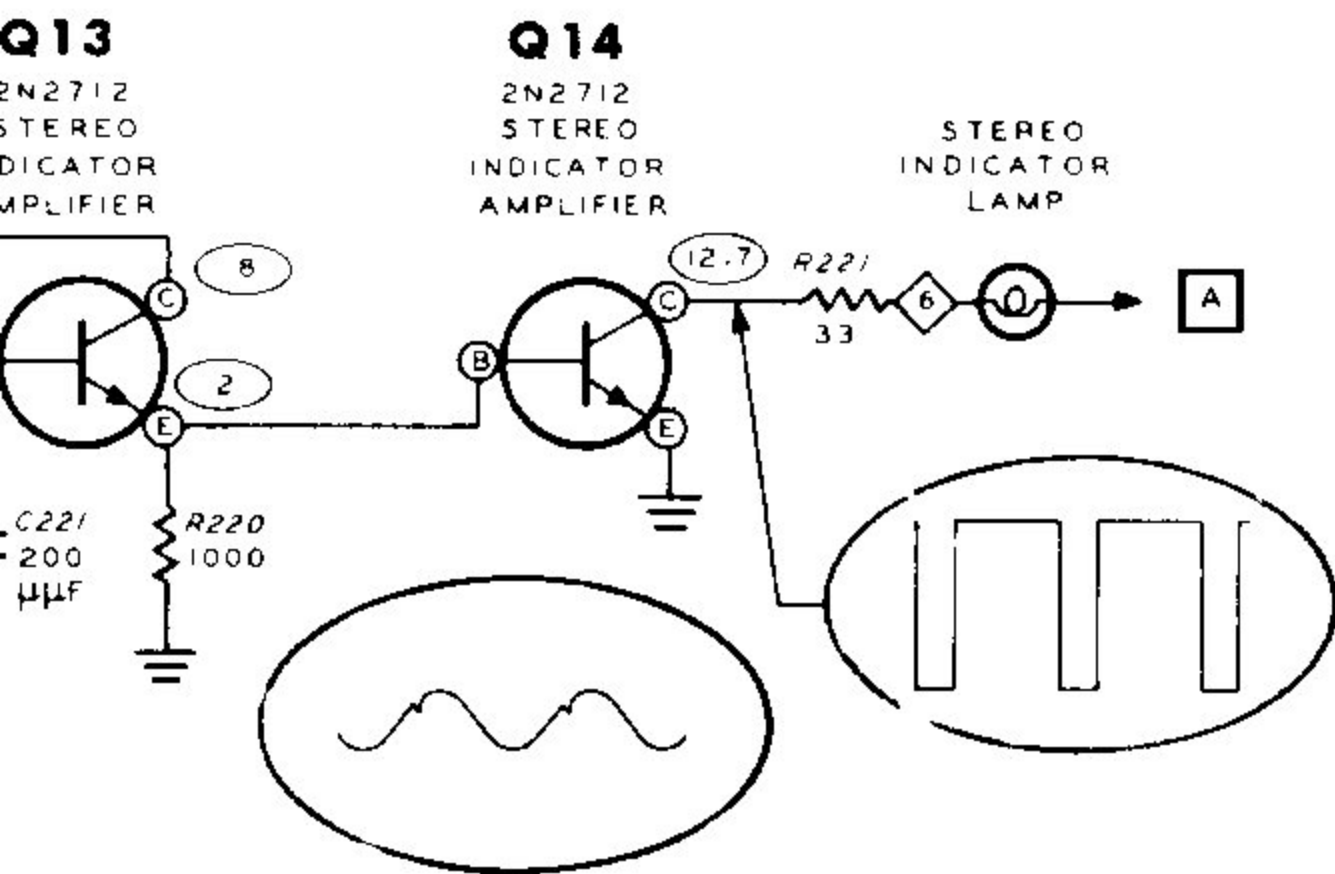
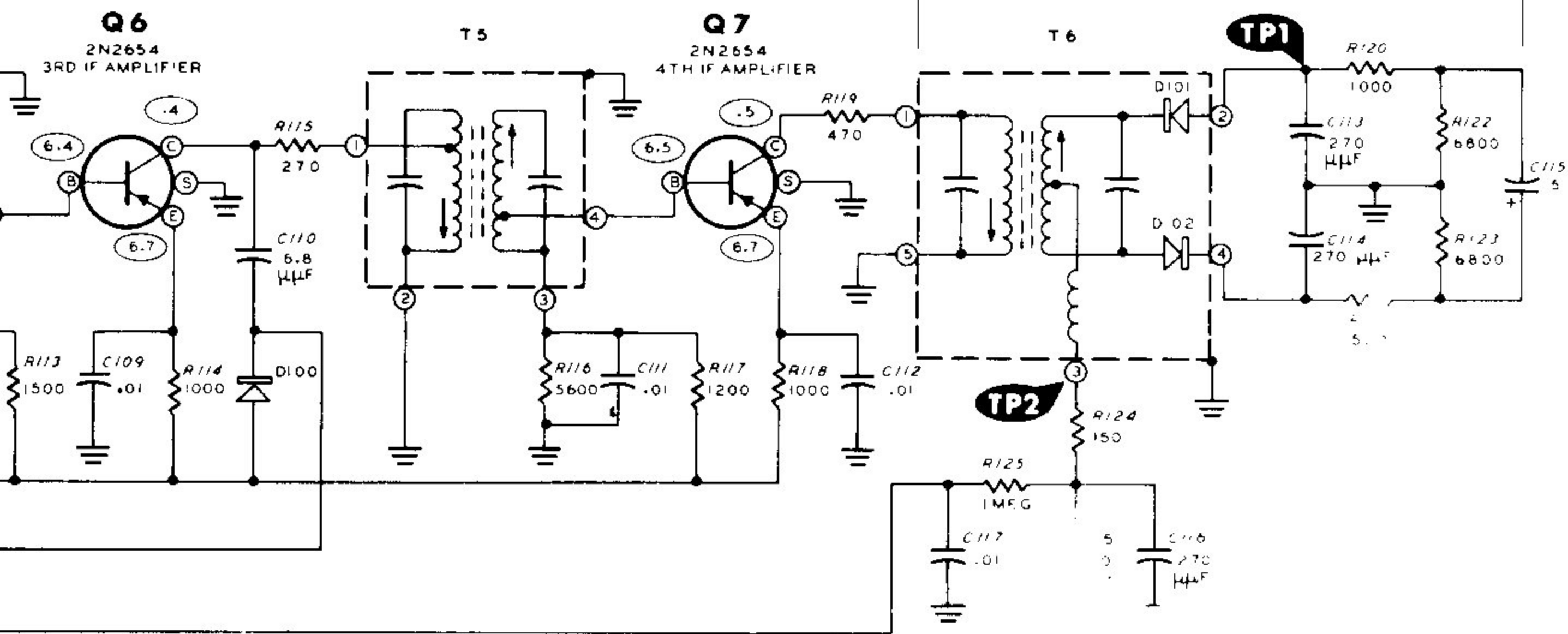
2N2712 TRANSISTORS: Q8 THROUGH Q13 HAVE AN ORANGE DOT AND Q14 HAS A BLUE DOT.





**SCHEMATIC OF THE  
HEATHKIT®  
SOLID STATE FM STEREO TUNER  
MODEL AJ-14**

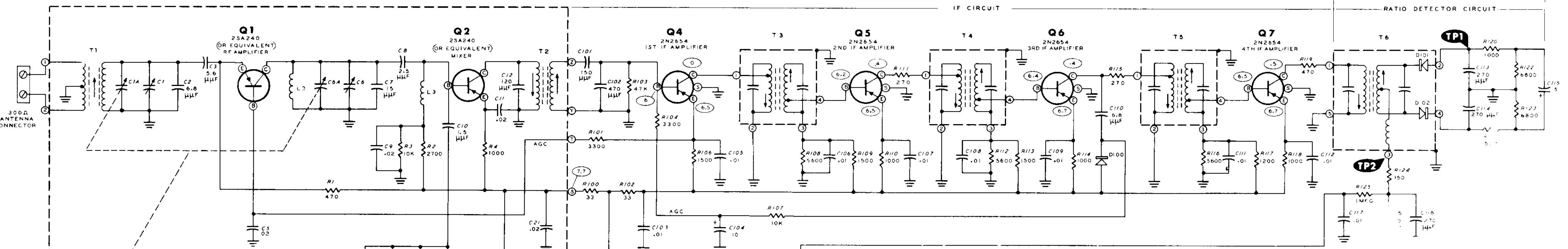
RATIO DETECTOR CIRCUIT



F M TUNING UNIT

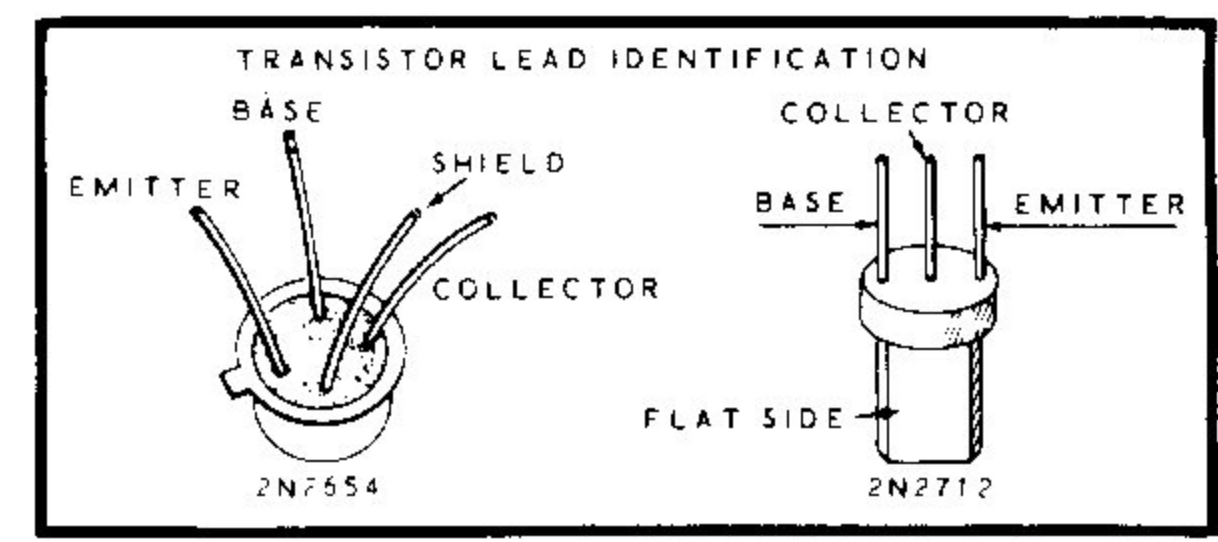
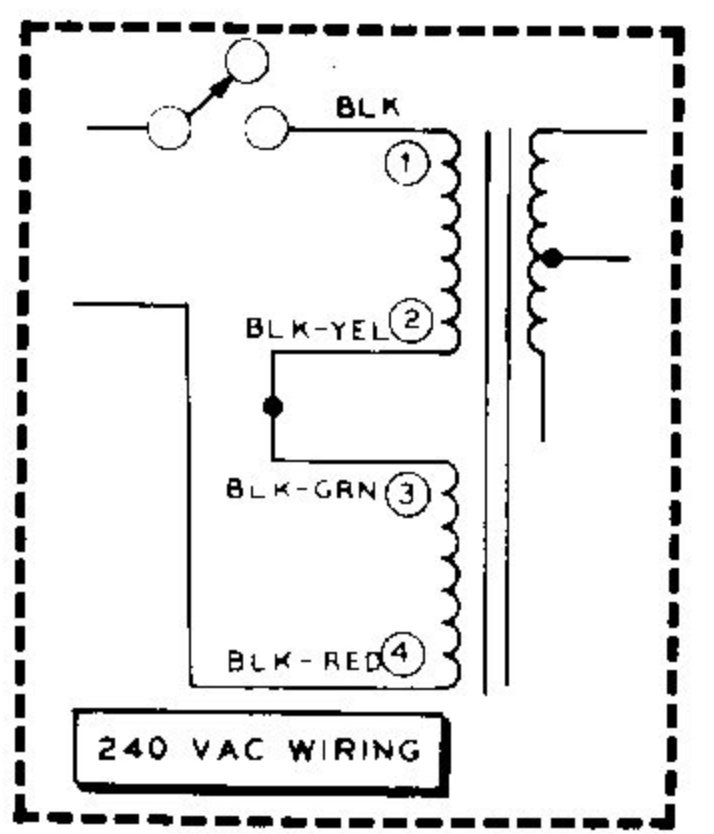
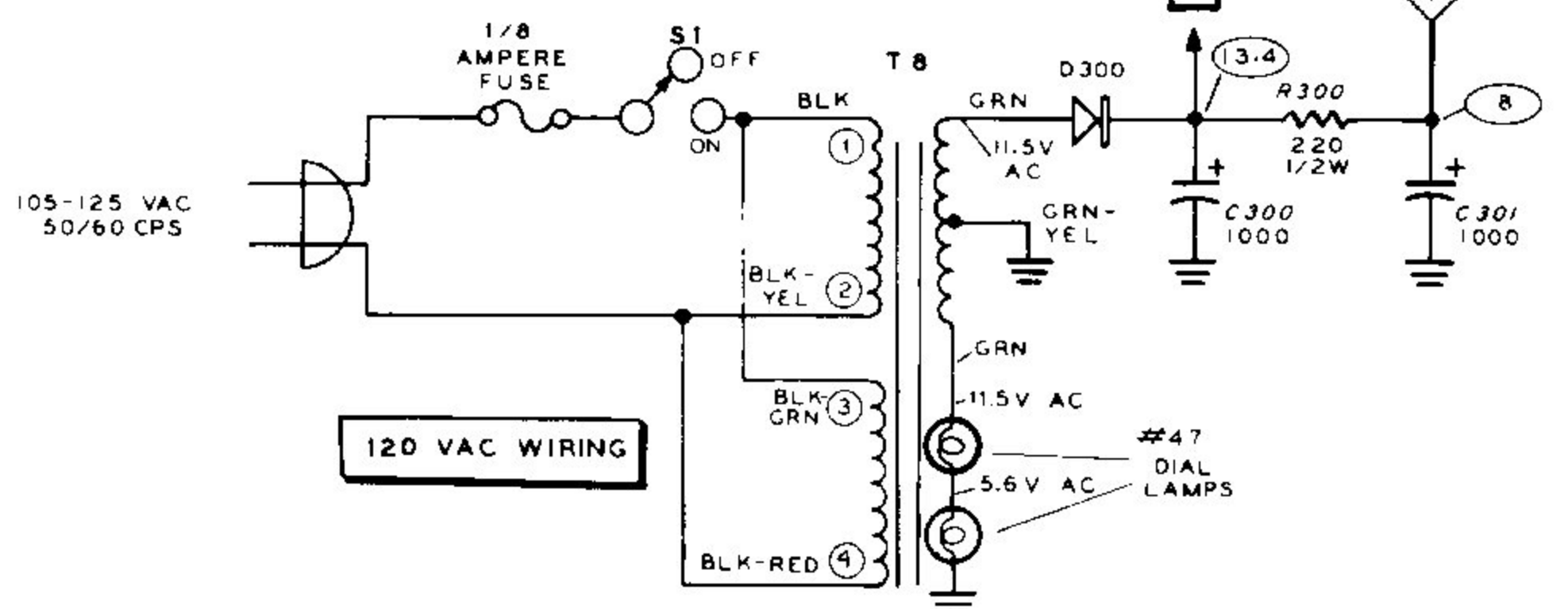
IF CIRCUIT

RATIO DETECTOR CIRCUIT



**SCHEMATIC OF THE HEATHKIT® SOLID STATE FM STEREO TUNER MODEL AJ-14**

**NOTES:**  
 ALL RESISTORS ARE 1/4 WATT UNLESS MARKED OTHERWISE.  
 ALL RESISTOR VALUES ARE IN OHMS (K = 1000, MEG = 1,000,000).  
 ALL CAPACITOR VALUES ARE IN μF UNLESS MARKED OTHERWISE.  
 ○ INDICATES VOLTAGE READING.  
 ALL VOLTAGES ARE DC POSITIVE UNLESS MARKED OTHERWISE.  
 ALL VOLTAGES ARE MEASURED FROM POINT INDICATED TO CHASSIS GROUND.  
 VOLTAGE READINGS TAKEN WITH AN 11 MEGOHM INPUT VTVM.  
 VOLTAGES MAY VARY ±20%.  
 MEASUREMENTS MADE WITHOUT ANTENNA CONNECTED. SWITCH S2 AT STEREO POSITION, AND PHASE SWITCH PUSHED IN.  
 ● INDICATES TEST POINTS.  
 ○ INDICATES CONNECTING POINTS ON CIRCUIT BOARD. REFER TO THE X-RAY VIEW FOR THE PHYSICAL LOCATION OF PARTS.  
 LETTER-NUMBER DESIGNATIONS FOR COMPONENTS ARE AS FOLLOWS:  
 T - 99 FM TUNING UNIT  
 100 - 199 IF CIRCUIT  
 200 - 299 FM STEREO MULTIPLEX CIRCUIT  
 300 - 399 POWER SUPPLY  
 2N2712 TRANSISTORS: Q8 THROUGH Q13 HAVE AN ORANGE DOT AND Q14 HAS A BLUE DOT.



**SCHEMATIC OF THE HEATHKIT® SOLID STATE FM STEREO TUNER MODEL AJ-14**

