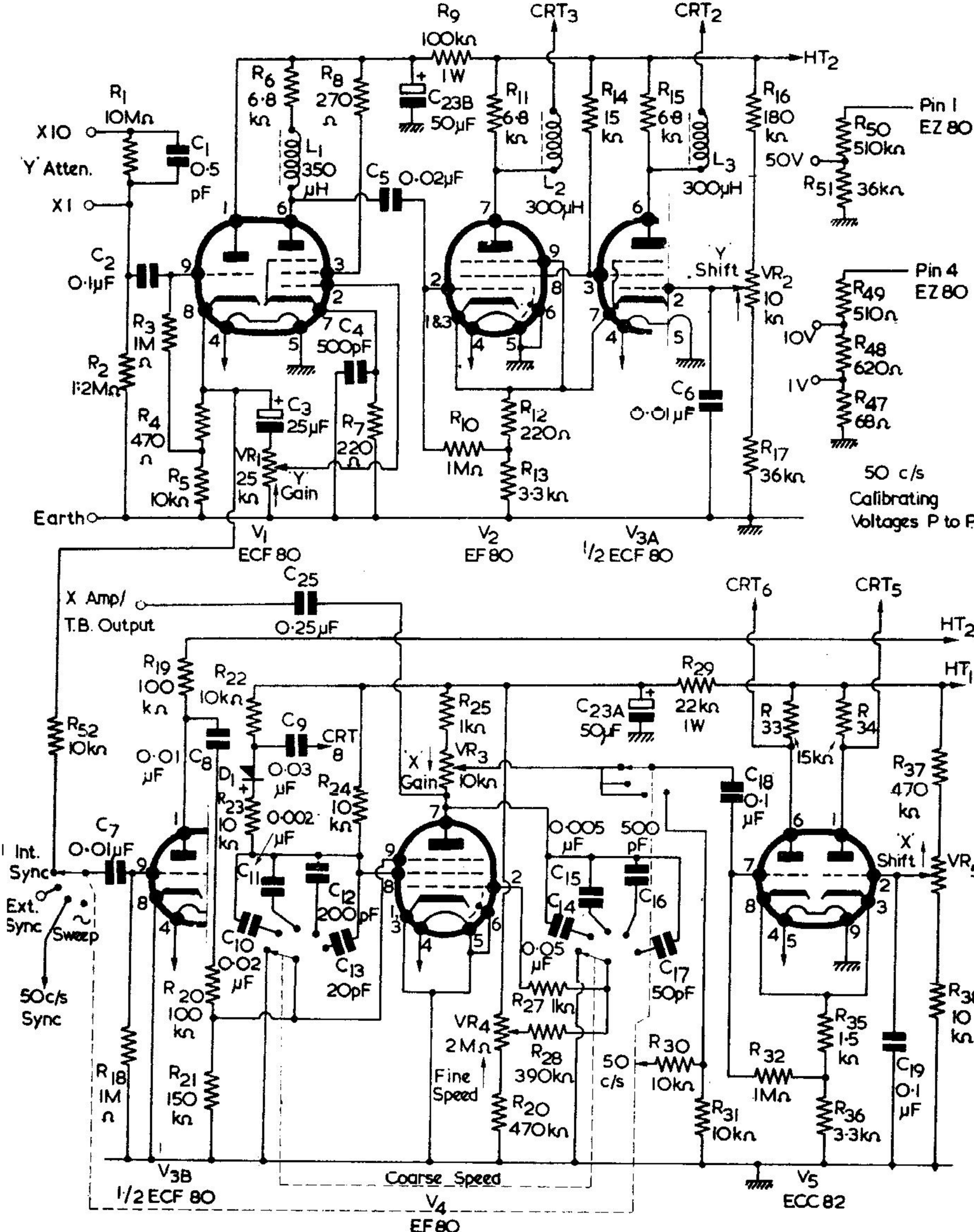


ARROWS INDICATE WIPER MOVEMENT FOR CLOCKWISE ROTATION OF CONTROL.

CIRCUIT DIAGRAM FOR THE HEATHKIT SERVICE OSCILLOSCOPE, MODEL OS-1.



Arrows indicate Wiper movement for clockwise rotation of control.

Fig. 1. Circuit diagram of the Portable Oscilloscope Model OS-1

M799

