

NOTES:

\*\*DEPENDS UPON INPUT VOLTAGE - 47 Ω - 6 VOLTS.  
 150 Ω - 12 VOLTS.

○ ALL VOLTAGES MEASURED FROM - LINE WITH CALIBRATION OFF.

VOLTAGES MEASURED WITH TACHOMETER CONNECTED TO 12 VOLT BATTERY.

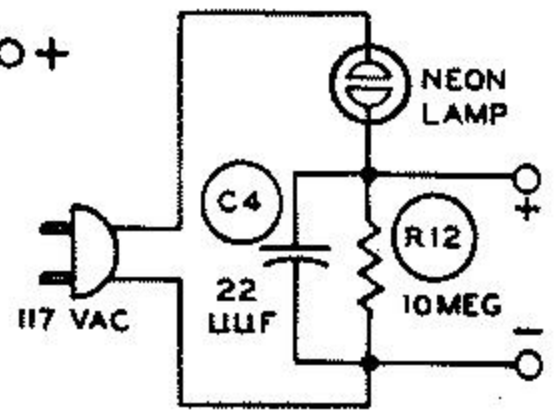
ALL CAPACITOR VALUES IN μfd.

ALL RESISTOR VALUES IN OHMS, K = 1,000.

ALL RESISTORS 1/2 WATT UNLESS OTHERWISE SHOWN.

\*DEPENDS UPON CALIBRATION POINT.

**SCHEMATIC OF THE  
 HEATHKIT®  
 ELECTRONIC TACHOMETER  
 MODEL MI-31A**



**CALIBRATION  
 CIRCUIT**