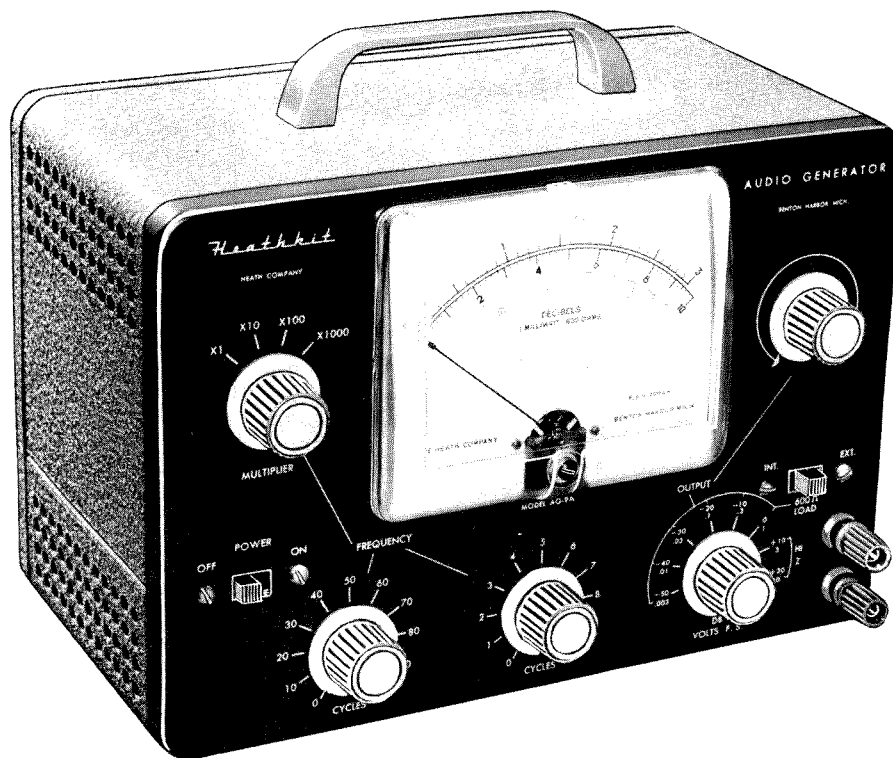


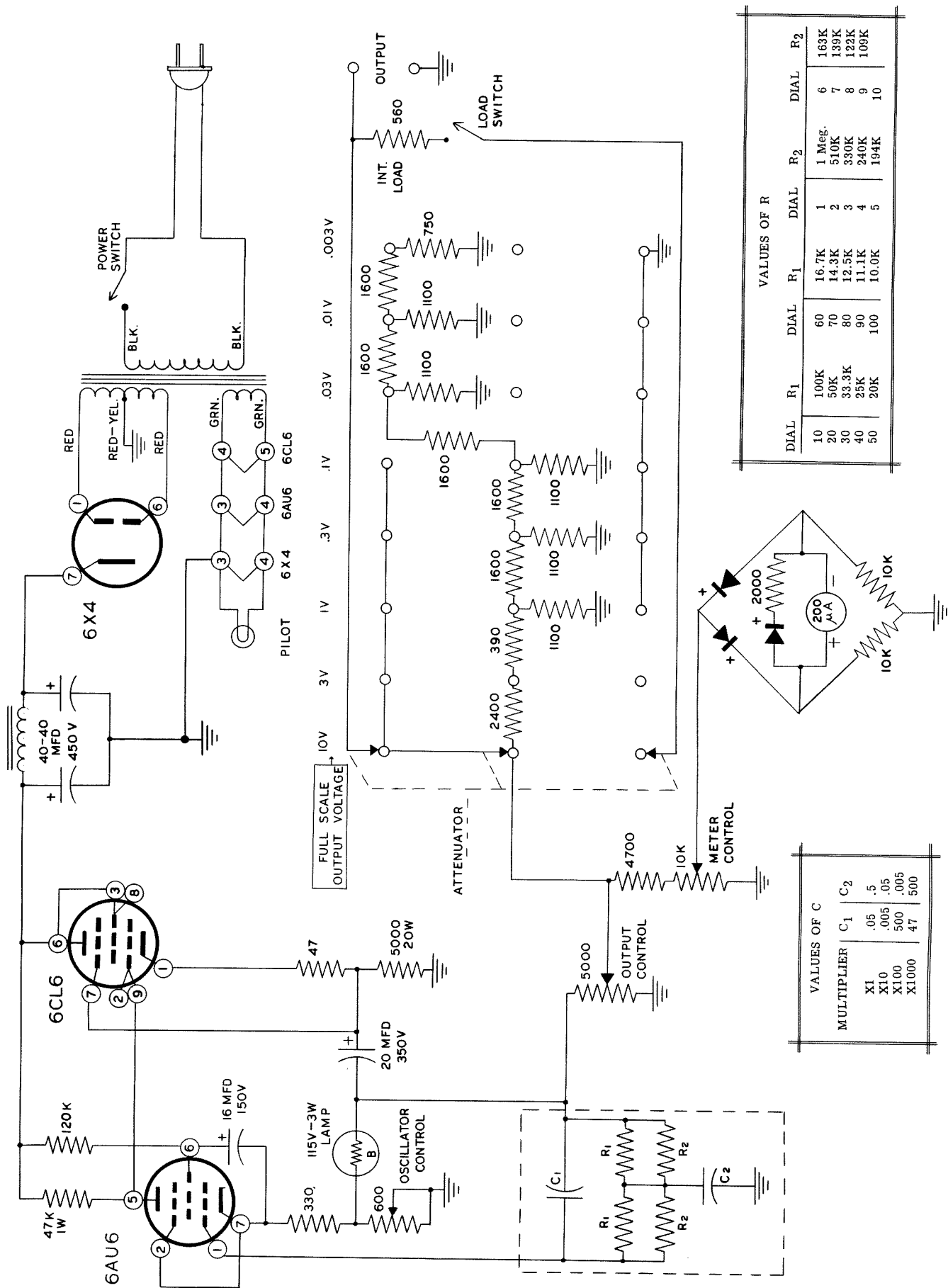
HEATHKIT AUDIO GENERATOR

MODEL AG-9A



SPECIFICATIONS

Frequency Range:.....	10 cycles - 100 kc	
Tuning Method:.....	Switch-selected, 2 significant figures and multiplier.	
Frequency Accuracy:.....	±5%	
Output Voltage Ranges:.....	0-10 volts into Hi-Z (10 K Ω min.)	} Into external load of approximately 600 Ω or with internal load into external Hi-Z.
	0-3 volts into Hi-Z (10 K Ω min.)	
	0-1 volts	
	0-.3 volts	
	0-.1 volts	
	0-.03 volts	
	0-.01 volts	
	0-.003 volts	
Source Impedance:.....	0-10 volt range - varies between 0 and 1000 Ω .	
	0-3 volt range - varies between 800 and 1000 Ω .	
	0-1 volt range and below - 600 Ω (External Load)	
	290 Ω (Internal Load)	
DB Ranges:.....	-60 db to +22 db (-10 to +2 on meter, -50 to +20 on attenuator in 10 db steps).	
DBM Ranges (600 Ω Ext. Load):.....	-60 dbm to +2 dbm (0 dbm = 1 mw-600 Ω)	
Output Indication:.....	Voltage and db scales on meter.	
Output Meter Accuracy:.....	±5% of full scale when properly terminated.	
Distortion:.....	Less than 0.1% from 20-20,000 cycles.	
Tube Complement:.....	6X4, 6AU6 and 6CL6	
Power Requirements:.....	105-125 volts, 50-60 cycles, 40 watts	
Dimensions:.....	9 1/2" wide x 6 1/2" high x 5" deep	
Shipping Weight:.....	8 lbs.	



HEATHKIT AUDIO GENERATOR MODEL AG-9A

INTRODUCTION

The Heathkit model AG-9A Audio Generator is a simple, yet versatile instrument. While simple in layout and easy to construct, the carefully assembled instrument provides ease of operation in a multitude of test setups encountered in audio laboratories. The wide range of repeatable frequencies and the metered low distortion output voltages covering nearly all values encountered in audio work contained in the conveniently small cabinet will entitle this instrument to a preferred spot in the laboratory.

The excellent performance of which this design is capable will not be realized in the finished instrument, UNLESS the assembler uses the best workmanship of which he is capable. Poor soldering technique, corrosive fluxes (acid core, so-called non-corrosive pastes), hurried and careless construction and failure to follow procedures outlined in this manual are the most prevalent causes for unsatisfactory operation. Protect your investment in time and money and reap the reward of personal satisfaction that money cannot buy, by doing a first class job of constructing this kit.

CIRCUIT DESCRIPTION

The circuit of this instrument may be divided into four parts: the power supply, the oscillator, the attenuator and the metering circuit.

The power supply uses the conventional power transformer full wave rectifier circuit feeding a ripple filter consisting of two condensers and a choke.

The oscillator uses a 6AU6 pentode voltage amplifier and a 6CL6 triode-connected cathode follower. Regenerative feedback from the 6CL6 to the 6AU6 cathode is applied through the tungsten filament candelabra based lamp.

Degenerative feedback is applied from the 6CL6 through a "notch" network to the grid of the 6AU6. The resultant oscillation occurs at the "notch" frequency, where degeneration is minimum and phase shift is zero.

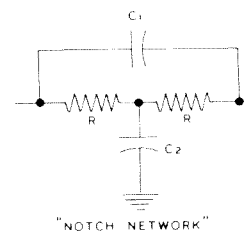
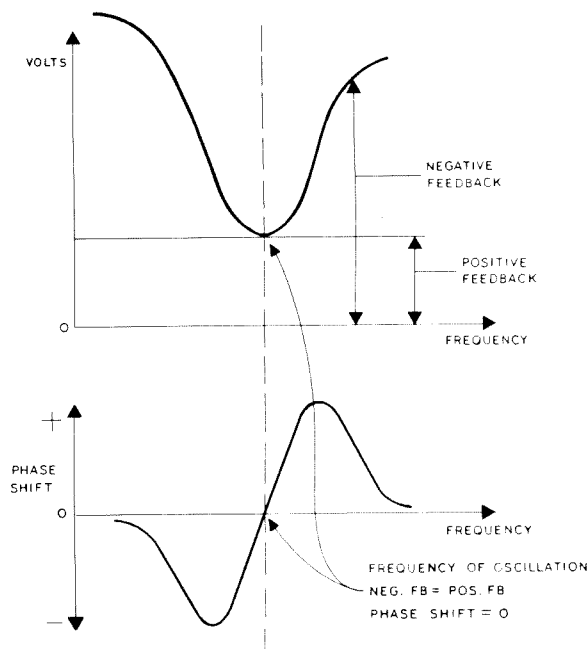
The "notch" network is a capacitor-shunted bridged-T type. The "notch" occurs at a frequency:

$$F = \frac{1}{2 \pi RC}$$

where $C = \sqrt{C_1 C_2}$

The amplitude of oscillation is maintained at a nearly constant value by the tungsten lamp. The regenerative feedback is applied through a voltage divider consisting of the lamp and the "oscillator" control. An increase in output signal increases the lamp current, the lamp temperature and the lamp resistance. This reduces the amount of feedback applied to the 6AU6 cathode and the resultant output. A balanced condition is thus obtained. The "oscillator" control is used to set the nominal output level.

The "notch" network consists basically of two resistances and two condensers. From the relationship shown it is evident that a decrease in capacities by a factor of 10 will increase the frequency by a factor of 10. As the values of C_1 and C_2 were chosen with a 10:1 ratio, five condensers can do the job of four pair or eight, in achieving four decade ranges.



For frequency variation within the steps of 10 times provided by the multiplier switch, the value of R is changed. For a multiplier switch setting of X1 a resistance (R) of 100 K Ω will produce a frequency of 10 cycles. As F and R are inversely proportional, 20 cycles or twice the frequency, requires half the resistance, or 50 K Ω . Likewise, 30 cycles or three times the frequency requires 1/3 the resistance or 33.3 K Ω . The 0-100 "cycle" switch uses two decks, each deck switching four resistors as follows: 100 K Ω , 50 K Ω , 33.3 K Ω , 25 K Ω . 100 K // 25 K = 20 K; 50 K // 25 K = 16.7 K; 33.3 K // 25 K = 14.3 K; 100 K // 33.3 K // 25 K = 12.5 K; 50 K // 33.3 K // 25 K = 11.1 K; 100 K // 50 K // 33.3 K // 25 K = 10 K. These resistance values produce frequencies of 10 to 100 cycles in steps of 10 cycles. (// means "in parallel with.")

Frequency variations within a 10 cycle span are produced by the 0-10 "cycle" switch. Here the same reasoning and circuitry are used as above but the actual resistance values are substantially ten times larger. These resistance values are connected in parallel with the first switch and produce one cycle increments.

The attenuator reduces the output voltage from the 6CL6 cathode-follower through a continuously variable 5 K Ω "output" control, and then through a step attenuator. The attenuator system is designed for 600 Ω output up through 1 volt and high impedance output at the 3 and 10 volt positions. The 600 Ω positions may be terminated by an internal load for high impedance work or this load may be disconnected when an external 600 Ω load is used. In the 3 and 10 volt positions, the internal load is automatically disconnected. The attenuator operates in steps of 10 db.

The metering circuit measures the voltage at the arm of the "output" control. A portion of this voltage, determined by the "meter" control, is rectified by a half-bridge using crystal diodes. Non-linearity of the diodes at low signal level is compensated by a third diode across the meter. The meter carries three scales: 0-10 volt, 0-3 volt, and -10 to +2 db. When the instrument is operated with the proper termination, the meter and attenuator will indicate the output level at the binding posts.

STEP-BY-STEP ASSEMBLY INSTRUCTIONS

A kit of parts can be assembled into the finished product in a variety of ways; from pictorials, photographs or from circuit diagram alone. However, even experienced and skilled professional persons have discovered that a combination of pictorials and step-by-step written instructions provide the fastest, most convenient way. This also guards against the disappointment of failure to operate after construction is completed, due to a single minor hard-to-find omission.

The written assembly instructions in this manual are divided into small operations or steps. Each step is a complete operation. Read the entire step through, then do that operation and check it off as completed. After an interruption, it is easy to find where you left off by the check marks. Read over the last checked step and you are all ready to continue.

The major pictorials in this manual are reproduced on large separate sheets. Fasten the appropriate pictorial on the wall above your work space. This will save you paging back and forth in the manual.

In the mechanical assembly, use lockwashers under all 6-32 nuts and between all controls or switches and the mounting surface.

In the wiring (S) means solder this connection and (NS) means do not solder yet, as more wires will be connected to this point. If more than one wire is to be soldered at a connection point, the instructions will appear as follows (S) (3) which means solder this connection which should have three wires connected to it. This will provide a running check of multiple connections.

PROPER SOLDERING PROCEDURE

Only a small percentage of Heathkit purchasers find it necessary to return an instrument for factory service. Of these, by far the largest proportion function improperly because of poor or improper soldering.

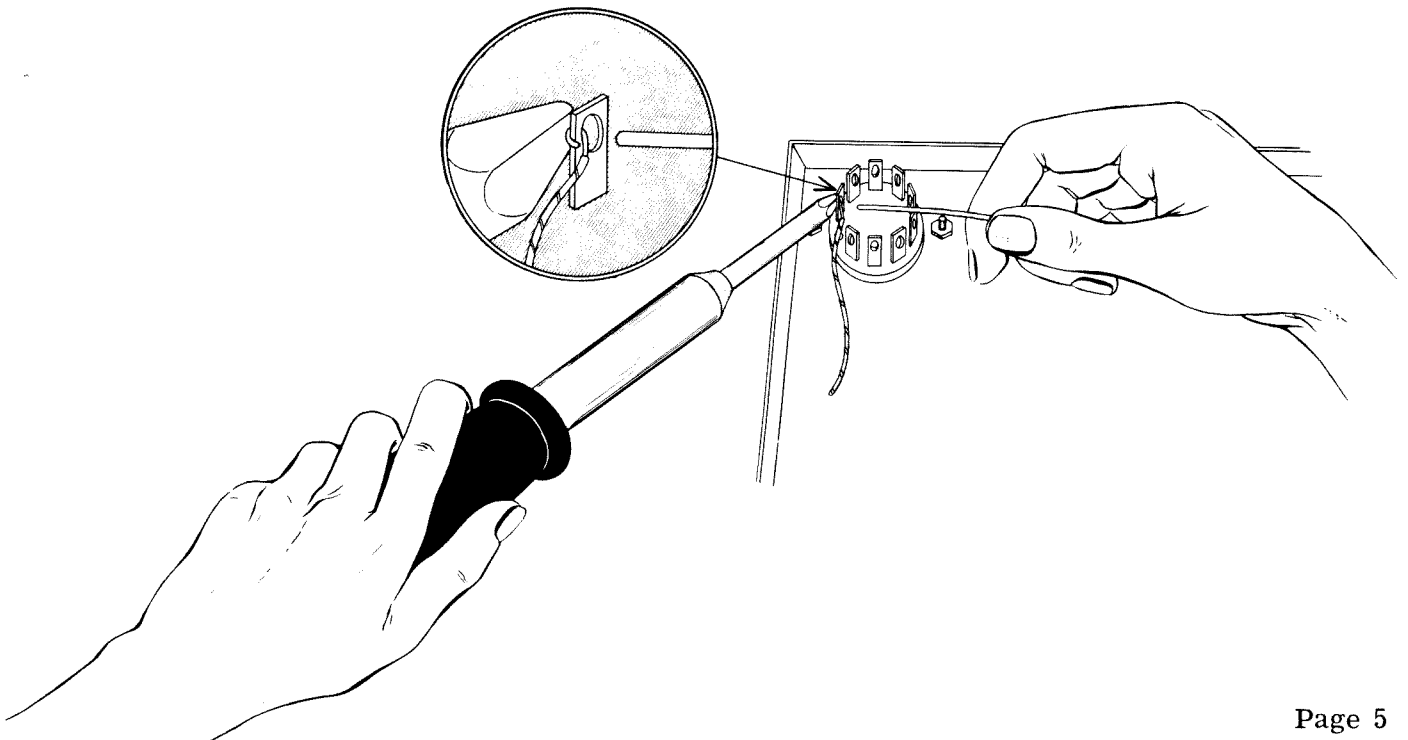
Correct soldering technique is extremely important. Good solder joints are essential if the performance engineered into the kit is to be fully realized. If you are a beginner with no experience in soldering, a half-hour's practice with odd lengths of wire and a tube socket will be a worthwhile investment.

High quality solder of the proper grade is most important. There are several different brands of solder on the market, each clearly marked "Rosin Core Radio Solder." Such solders consist of an alloy of tin and lead, usually in the proportion 50:50. Minor variations exist in the mixture such as 40:60, 45:55, etc. with the first figure indicating the tin content. Radio solders are formed with one or more tubular holes through the center. These holes are filled with a rosin compound which acts as a flux or cleaning agent during the soldering operation.

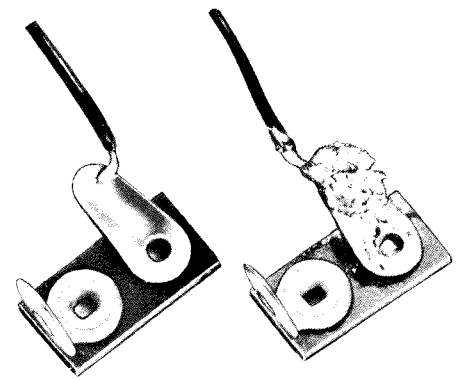
NO SEPARATE FLUX OR PASTE OF ANY KIND SHOULD BE USED. We specifically caution against the use of so-called "non-corrosive" pastes. Such compounds, although not corrosive at room temperatures, will form residues when heated. The residue is deposited on surrounding surfaces and attracts moisture. The resulting compound is not only corrosive but actually destroys the insulation value of non-conductors. Dust and dirt will tend to accumulate on these "bridges" and eventually will create erratic or degraded performance of the instrument.

NOTE: ALL GUARANTEES ARE VOIDED AND WE WILL NOT REPAIR OR SERVICE INSTRUMENTS IN WHICH ACID CORE SOLDER OR PASTE FLUXES HAVE BEEN USED. WHEN IN DOUBT ABOUT SOLDER, IT IS RECOMMENDED THAT A NEW ROLL PLAINLY MARKED "ROSIN CORE RADIO SOLDER" BE PURCHASED.

If terminals are bright and clean and wires free of wax, frayed insulation and other foreign substances, no difficulty will be experienced in soldering. Crimp or otherwise secure the wire (or wires) to the terminal, so that a good joint is made without relying on solder for physical strength. To make a good solder joint, the clean tip of the soldering iron should be placed against the joint to be soldered so that the terminal is heated sufficiently to melt solder. The solder is then placed against both the terminal and the tip of the iron and will immediately flow out over the joint. Refer to the sketch below. Use only enough solder to cover wires at the junction; it is not necessary to fill the entire hole in the terminal with solder. Excess solder may flow into tube socket contacts, ruining the socket, or it may creep into switch contacts and destroy their spring action. Position the work so that gravity tends to keep the solder where you want it.

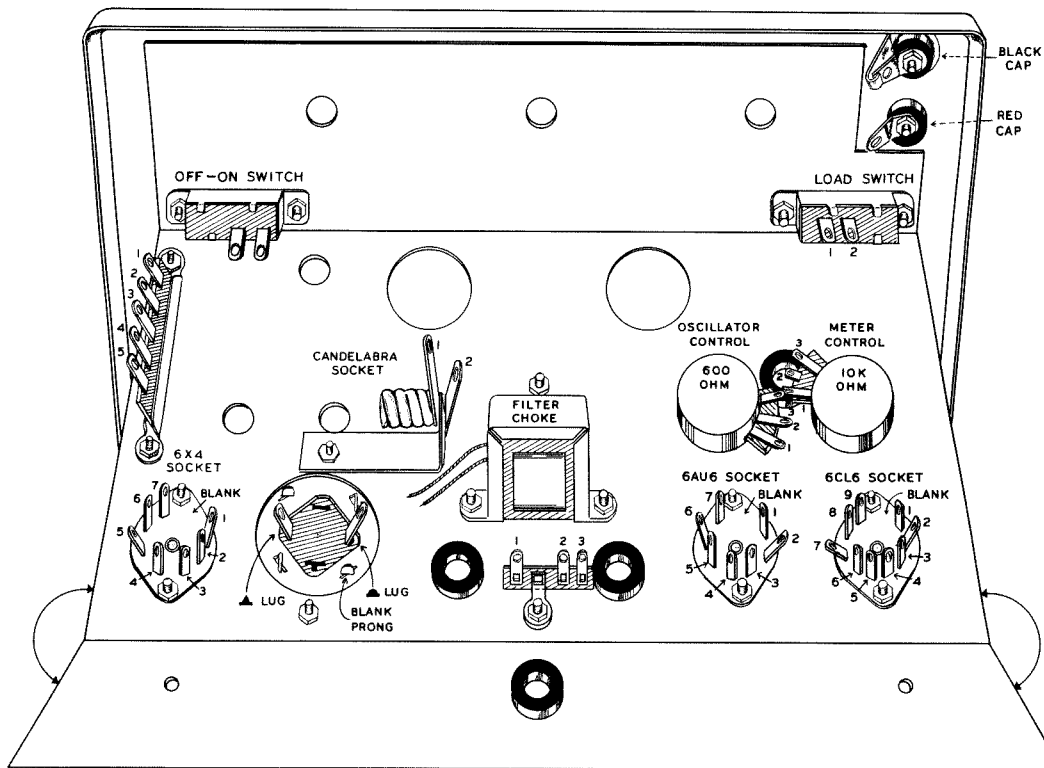


A poor solder joint will usually be indicated by its appearance. The solder will stand up in a blob on top of the connection, with no evidence of flowing out caused by actual "wetting" of the contact. A crystalline or grainy texture on the solder surface, caused by movement of the joint before it solidified is another evidence of a "cold" connection. In either event, reheat the joint until the solder flows smoothly over the entire junction, cooling to a smooth bright appearance. Photographs in the adjoining picture clearly indicate these two characteristics.

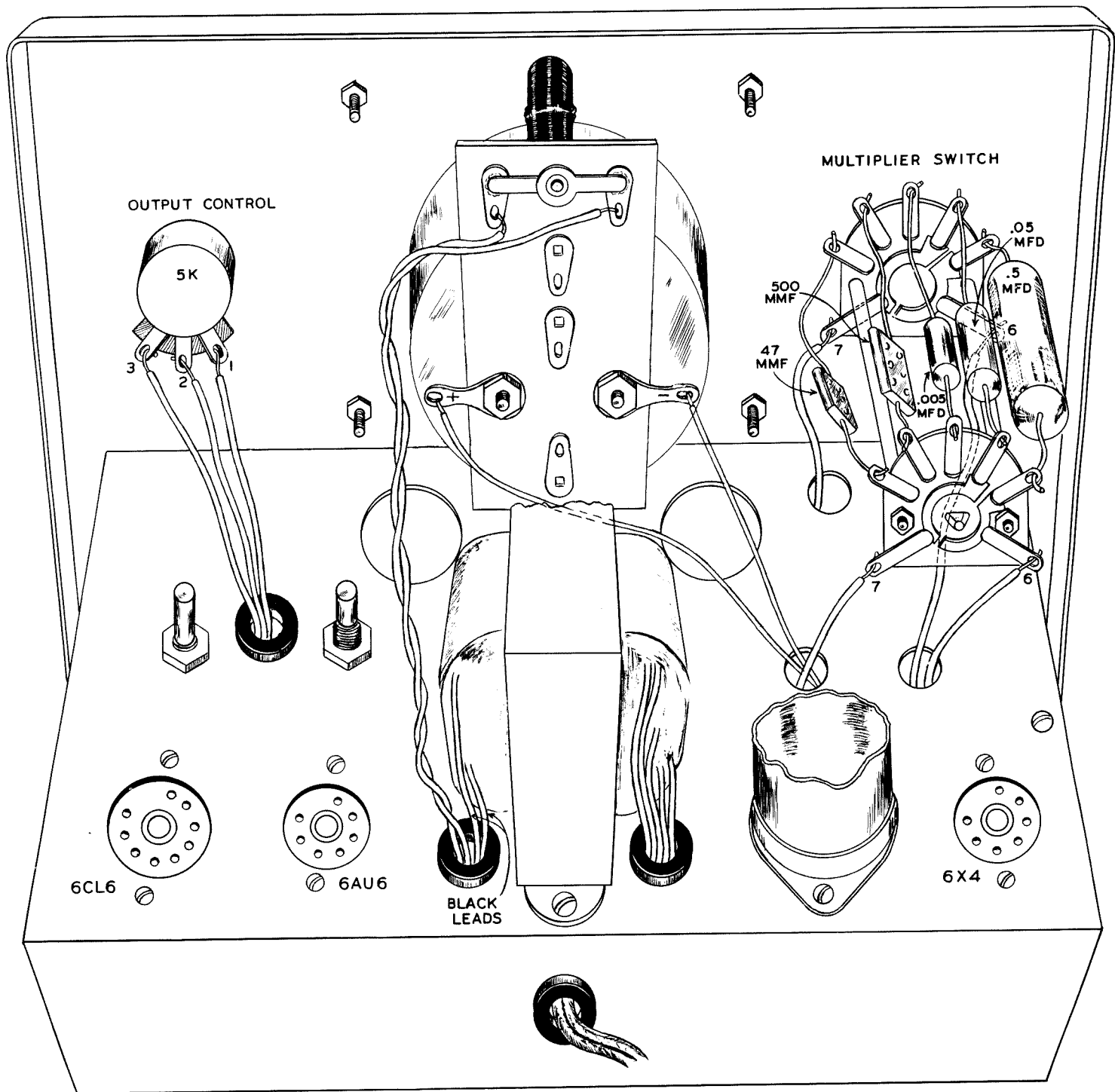


A good, clean, well-tinned soldering iron is also important to obtain consistently perfect connections. For most wiring, a 60 or 100 watt iron, or the equivalent in a soldering gun, is very satisfactory. Smaller irons generally will not heat the connections enough to flow the solder smoothly over the joint and are recommended only for light work, such as on etched circuit boards, etc. Keep the iron tip clean and bright. A pad of steel wool may be used to wipe the tip occasionally during use.

Take this precaution and use reasonable care during the assembly of the kit. This will insure the wonderful satisfaction of having the instrument operate perfectly the first time it is turned on.



PICTORIAL 1



PICTORIAL 2

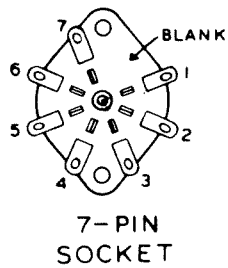


Figure 1

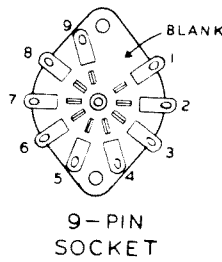


Figure 2

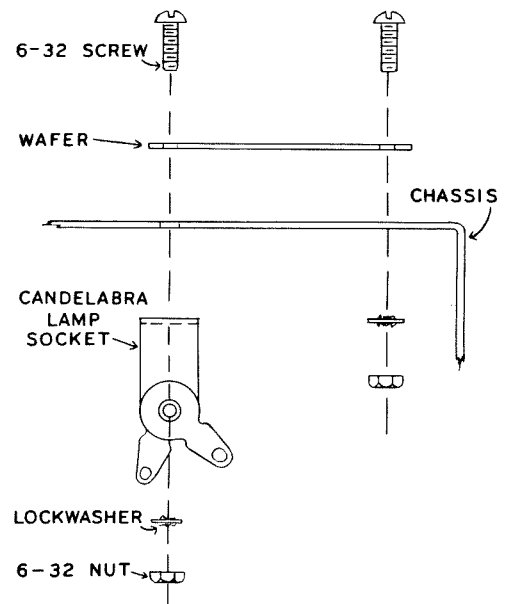


Figure 3

- (✓) Mount the two 7-pin and one 9-pin wafer type tube sockets on the chassis with 3-48 screws and nuts. See Figures 1 and 2 for identification. Note the position of the blank spaces in Pictorial 1 on Page 6. Observe that the sockets mount below the chassis.
- (✓) Mount the condenser mounting wafer on top of the chassis. At the same time, install the candelabra lamp socket as shown in Figure 3.
- (✓) Install the four 3/8 rubber grommets in positions shown in Pictorial 1.
- (✓) Mount the 5-lug terminal strip with 6-32 hardware as shown.
- (✓) Mount the filter choke below the chassis with 6-32 hardware.
- (✓) Mount the power transformer on top of the chassis. Also install the 3-lug terminal strip as shown in Figure 4.
- (✓) Mount the 600 Ω oscillator control with a control lockwasher and a control nut. See Figure 5.
- (✓) Mount the 10 K Ω meter control in the same manner.

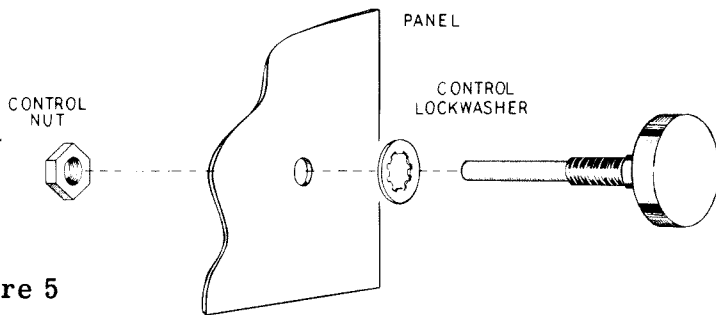


Figure 5

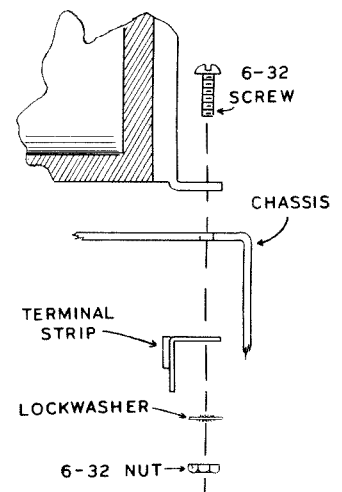


Figure 4

HOW TO MOUNT CONTROLS & SWITCHES.

- (✓) Fasten the panel to the chassis by installing the slide switches. Use 6-32 hardware, with the screw through the panel, the chassis and the switch. Note the position of each switch in Pictorial 1 (lugs inward). Check the alignment of the three holes in the panel and chassis before tightening the screws.
- (✓) Install the binding posts. Use binding post base, insulator bushings, solder lug and 6-32 nut. See Figure 6. On the one nearest the edge of the panel, include a larger control solder lug between the bushing and the inside of the panel.
- (✓) Install the 5 K Ω output control on the panel with a lockwasher between control and panel and a nickel washer between control nut and panel. See Pictorial 2 for position.
- (✓) Install the multiplier switch in the same manner.

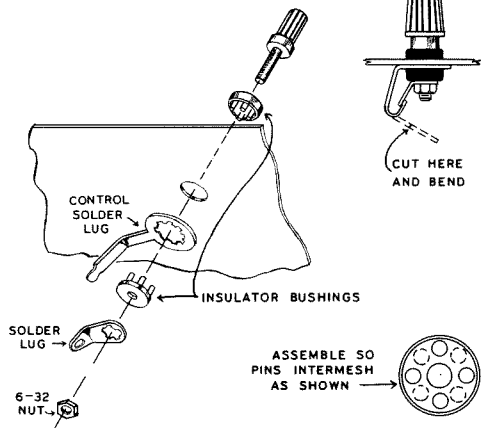


Figure 6

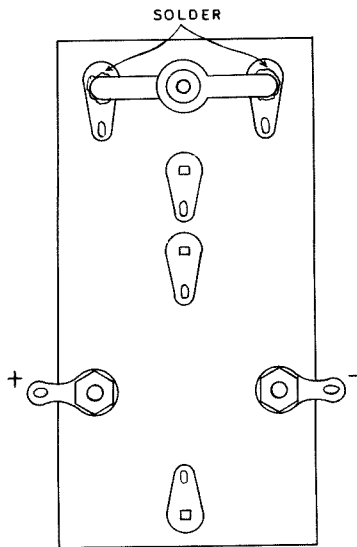


Figure 7

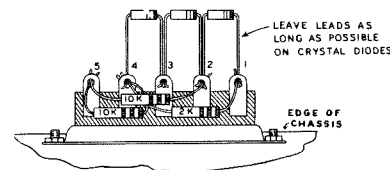


Figure 8

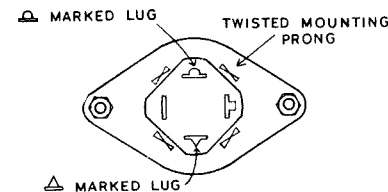


Figure 9

METER SUB-ASSEMBLY

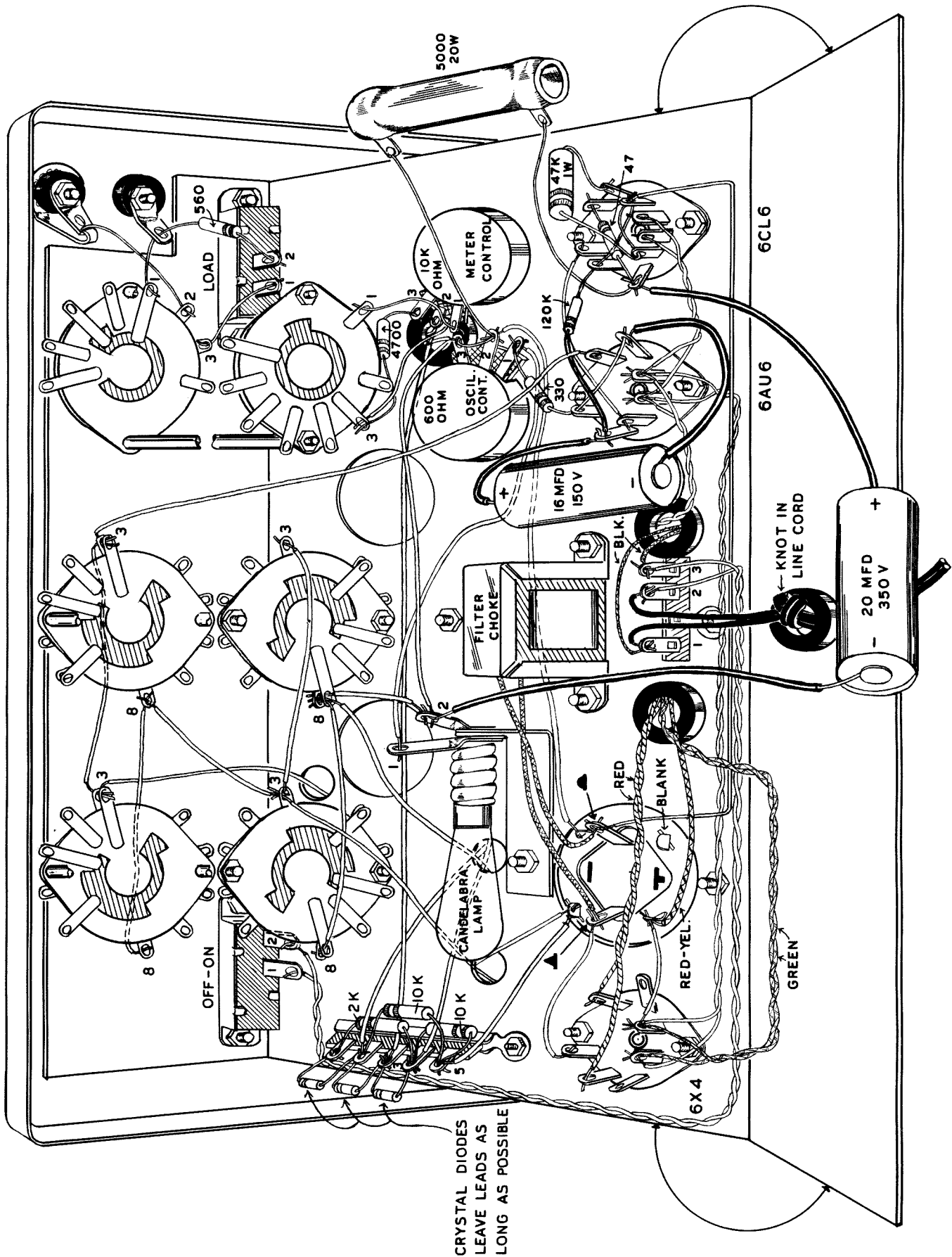
- (✓) Remove one nut and the solder lug from each meter stud. NOTE: Hold the inner nut while loosening the outer nut, so no strain is placed on the plastic meter housing. Run the remaining nut down on the meter stud.
- (✓) Install the terminal board on the meter studs with the solder lugs and nuts that came on the meter.
- (✓) Solder the pilot light socket to the terminals as shown in Figure 7 (S).
- (✓) Install the meter on the front panel with the hardware supplied in the meter box.
- (✓) Slip the 3/8" fiberglass sleeving over the pilot lamp and install the lamp in its socket. Slip the sleeving against the panel.

WIRE THE 5-LUG STRIP

- (✓) Connect a 2 K Ω resistor between lug 1 (NS) and lug 4 (NS). See Figure 8.
- (✓) Connect a 10 K Ω resistor between lug 4 (NS) and lug 5 (NS).
- (✓) Connect another 10 K Ω resistor between lug 2 (NS) and lug 5 (NS). Make sure the lead wires do not touch connections to lug 4.
- (✓) Connect a 5 1/2" wire between lug 4 (NS) and the negative (-) lug (S) on the meter.
- (✓) Connect a 7 1/2" wire between lug 2 (NS) and the positive (+) lug (S) on the meter.
- (✓) Connect a crystal diode with the cathode lead (see page 23 for coding of cathode on diodes) to lug 1 (S) (2). Connect the other lead to lug 2 (NS). Leave leads as long as possible.
- (✓) Connect a second crystal diode with the cathode lead to lug 2 (S) (4). Connect the other lead to lug 3 (NS). Leave leads as long as possible.
- (✓) Connect a third crystal diode with the cathode lead to lug 3 (NS). Connect the other lead to lug 4 (S) (4). Leave leads as long as possible.
- (✓) Install the filter condenser on top of the chassis by passing the mounting prongs through the slots in the mounting wafer, (make sure the condenser is properly positioned) and twist the prongs 1/8 turn with a pair of pliers. See Figure 9 and Pictorial 1 on Page 6.

PRECISION
CYCLE SWITCH

5% CYCLE
SWITCH



CRYSTAL DIODES
LEAVE LEADS AS
LONG AS POSSIBLE

PICTORIAL 3

CHASSIS WIRING

- (✓) Place the transformer leads through the grommets and connect the red-yellow lead to a twisted mounting prong (NS) on the filter condenser.
- (✓) Connect the red leads to pin 1 (S) and pin 6 (S) on the 6X4 socket.
- (✓) Connect the green leads to pin 3 (NS) and pin 4 (NS) on the 6X4 socket.
- (✓) Connect a wire between pin 3 (NS) on the 6X4 socket and the twisted mounting prong (S) (2) on the filter condenser.
- (✓) Twist two 6 1/2" lengths of wire together and connect one end to pin 3 (S) (3) and pin 4 (S) (2) on the 6X4 socket. Connect the other end to pin 3 (NS) and pin 4 (NS) on the 6AU6 socket.
- (✓) Twist two 2 1/2" lengths of wire together and connect one end to pin 3 (NS) and pin 4 (NS) on the 6AU6 socket. Connect the other end to pin 4 (S) and pin 5 (S) on the 6CL6 socket.
- (✓) Twist two 11" lengths of wire together and connect one end to pin 3 (S) (3) and pin 4 (S) (3) on the 6AU6 socket. Place the other end through the nearest grommet and connect to the pilot light terminals (S) on the meter terminal board as shown in Pictorial 2 on Page 7.
- (✓) Connect a wire between pin 7 (S) on 6X4 socket and ▲ marked lug (NS) on the filter condenser.
- (✓) Connect one lead from the filter choke to the ▲ marked lug (S) (2) on the filter condenser.
- (✓) Connect the other lead of the filter choke to the ▲ marked lug (NS) on the filter condenser.
- (✓) Connect a wire between the ▲ marked lug (S) (2) on the filter condenser and pin 3 (NS) on the 6CL6 socket.
- (✓) Twist two 11 1/2" lengths of wire together and connect one end to the OFF-ON slide switch (S). Connect the other end to lug 2 (NS) and lug 3 (NS) on the terminal strip.
- (✓) Connect one black transformer lead to lug 3 (S) (2) and the other black lead to lug 1 (NS) on the terminal strip.
- (✓) Connect a wire between a second twisted mounting prong (S) on the filter condenser and through lug 2 (NS), through lug 3 (NS) on the 600 Ω oscillator control to lug 1 (NS) on the 10 K Ω meter control.
- (✓) Connect a wire between lug 1 (S) on the candelabra socket and lug 1 (NS) on the 600 Ω oscillator control.
- (✓) Connect a 330 Ω resistor between lug 1 (S) (2) on the oscillator control, through pin 7 (S) to pin 2 (NS) on the 6AU6 socket.
- (✓) Connect a wire between pin 5 (S) on the 6AU6 socket and pin 9 (S) on the 6CL6 socket.
- (✓) Connect a 120 K Ω resistor between pin 6 (NS) (use sleeving over this lead) on the 6AU6 socket and through pin 8 (S) to pin 3 (NS) on the 6CL6 socket.
- (✓) Connect a 47 Ω resistor between pin 1 (S) and pin 7 (NS) on the 6CL6 socket.
- (✓) Connect a 47 K Ω 1 watt resistor between pin 2 (S) and through pin 6 (S) to pin 3 (S) (3) on the 6CL6 socket.
- (✓) Connect a 16 μ fd 150 volt electrolytic condenser with the positive (+) lead to pin 6 (S) (2) and the negative (-) lead to pin 2 (S) (2) on the 6AU6 socket. Use sleeving on both leads. Place condenser close to chassis.

(✓) Install the line cord. Place it through the grommet in the rear edge of the chassis. Tie a knot for strain relief. Connect one lead to lug 1 (S) (2) and the other lead to lug 2 (S) (2) on the terminal strip.

(✓) Connect a 20 μ fd 350 volt electrolytic condenser with the negative (-) lead to lug 2 (NS) on the candelabra socket and the positive lead (+) to pin 7 (NS) on the 6CL6 socket. Use sleeving on these leads.

(✓) Connect a 5000 Ω 20 watt resistor between pin 7 (S) (3) on the 6CL6 socket and lug 2 (S) (2) on the oscillator control. Leave the leads fairly long and dress as shown in Figure 10.

(✓) Connect a 7 1/2" wire between lug 2 (NS) on the candelabra socket and lug 3 (S) on the output control.

(✓) Connect a 3 1/2" wire between lug 3 (S) (2) on the oscillator control and lug 1 (S) on the output control.

(✓) Connect a wire between lug 5 (S) (3) on the 5-lug terminal strip and the nearest twisted mounting prong (NS) on the filter condenser.

(✓) Connect an 8 1/2" wire between lug 3 (S) (3) on the 5-lug terminal strip and lug 2 (S) on the meter control.

CYCLE SWITCH SUB-ASSEMBLY:

Check only one (✓) () for each operation.

**See NOTE below.

(✓)(✓) Connect a 50 K Ω precision resistor between lug 9 (S) (double clip) on the front section and through lug 9 (S) to lug 10 (NS) on the rear section.

(✓)(✓) Connect a 100 K Ω precision resistor between lug 10 (S) on the front section, through lug 10 (S) (2) to lug 1 (NS) on the rear section.

(✓)(✓) Connect a 25 K Ω precision resistor between lug 1 (S) on the front section, through lug 1 (S) (2) to lug 2 (NS) on the rear section.

(✓)(✓) Connect a 33.3 K Ω precision resistor between lug 2 (S) on the front section, through lug 2 (S) (2) to lug 3 (NS) on the rear section.

(✓)(✓) Connect a 50 K Ω precision resistor between lug 4 (S) (double clip) on the rear section, through lug 4 (S) to lug 5 (NS) on the front section.

(✓)(✓) Connect a 100 K Ω precision resistor between lug 5 (S) on the rear section, through lug 5 (S) (2) to lug 6 (NS) on the front section.

(✓)(✓) Connect a 25 K Ω precision resistor between lug 6 (S) on the rear section, through lug 6 (S) (2) to lug 7 (NS) on the front section.

PLACE 5000 OHM 20 WATT RESISTOR AS SHOWN FOR MAXIMUM COOLING

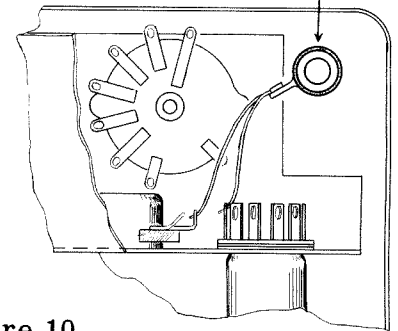


Figure 10

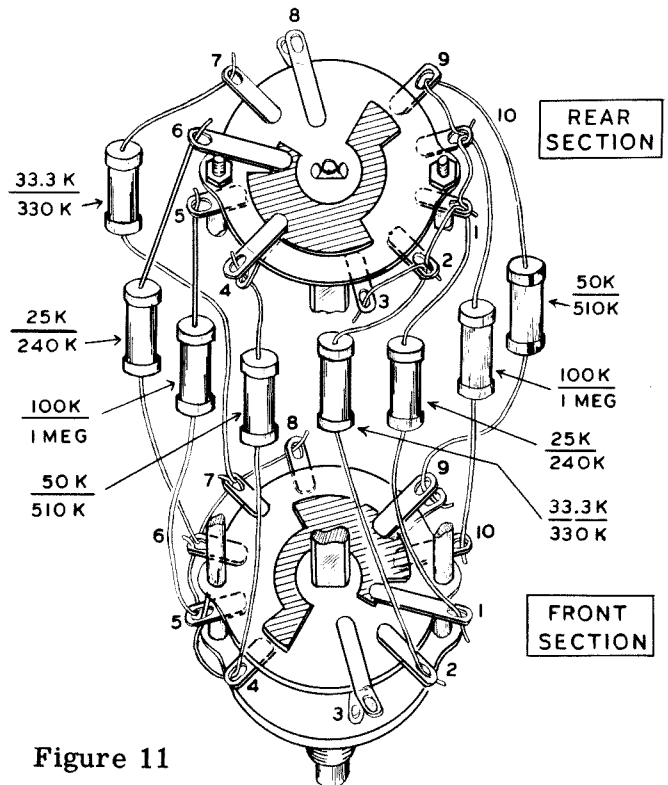


Figure 11

(✓) Connect a 33.3 K Ω precision resistor between lug 7 (S) on the rear section, through lug 7 (S) (2) to lug 8 (NS) on the front section.

**Now repeat each step and check the second (✓) for each operation, as the second CYCLE switch is wired. Substitute 510 K Ω 5% for 50 K Ω , 1 megohm 5% for 100 K Ω , 240 K Ω 5% for 25 K Ω and 330 K Ω 5% for 33.3 K Ω .

(✓) Install the precision cycle switch through chassis and panel with lockwasher, nickel washer and control nut in the 0-100 position.

(✓) Install the 5% cycle switch in the same manner in the 0-10 position.

(✓) Connect a 47 μ f condenser between lug 1 (S) on the front and lug 1 (S) on the rear of the multiplier switch.

(✓) Connect a 500 μ f condenser between lug 2 (S) on the front and lug 2 (S) on the rear.

(✓) Connect a .005 μ f condenser between lug 3 (S) on the front and lug 3 (S) on the rear.

(✓) Connect a .05 μ f condenser between lug 4 (S) on the front and lug 4 (S) on the rear.

(✓) Connect a .5 μ f condenser between lug 5 (S) on the front and lug 5 (S) on the rear.

(✓) Connect a 4 1/2" wire between lug 6 (S) on the front of the multiplier switch and a third twisted mounting prong (S) (2) on the filter condenser.

(✓) Connect a 3 1/2" wire between lug 7 (S) on the front of the multiplier switch and lug 3 (NS) (double lug) on the front of the precision cycle switch.

(✓) Connect a 3" wire between lug 3 (S) (2) (double lug) on the front of the precision cycle switch and lug 3 (NS) (double lug) on the front of the 5% cycle switch.

(✓) Connect a 4 1/2" wire between lug 3 (S) (2) (double lug) on the front of the 5% cycle switch and pin 1 (S) on the 6AU6 socket.

(✓) Connect a 3" wire between lug 8 (S) (2) on the front of the precision cycle switch and lug 8 (NS) on the front of the 5% cycle switch.

(✓) Connect a 2" wire between lug 8 (S) (3) on the front of the 5% cycle switch and lug 3 (NS) on the rear of the precision cycle switch.

(✓) Connect a 3" wire between lug 3 (NS) on the rear of the precision cycle switch and lug 3 (S) (2) on the rear of the 5% cycle switch.

(✓) Connect a 4 1/2" wire between lug 3 (S) (4) on the rear of the precision cycle switch and lug 6 (S) on the rear of the multiplier switch.

(✓) Connect a 3" wire between lug 8 (S) (double lug) on the rear of the precision cycle switch and lug 8 (NS) (double lug) on the rear of the 5% cycle switch.

(✓) Connect a 1 1/2" wire between lug 8 (NS) (double lug) on the rear of the 5% cycle switch and lug 2 (S) (3) on the candelabra socket.

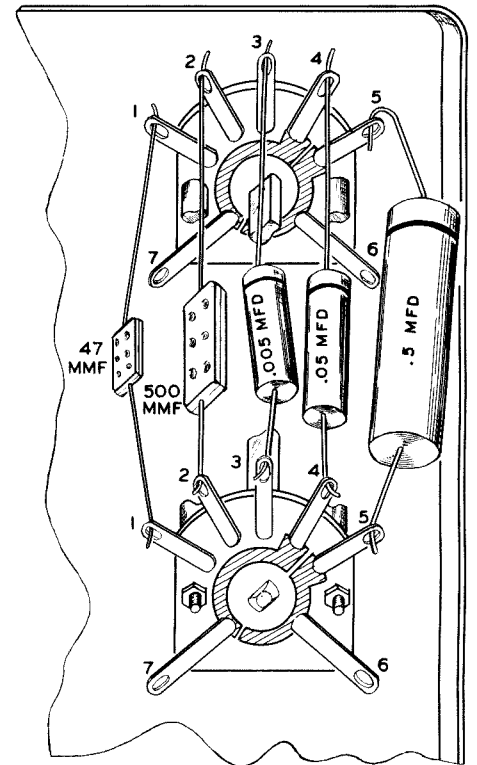


Figure 12

- (✓) Connect a 4" wire between lug 8 (S) (3) (double lug) on the rear of the 5% cycle switch and lug 7 (S) on the rear of the multiplier switch.

Dress all preceding wires so they will not interfere with operation of the switches.

ATTENUATOR SWITCH SUB-ASSEMBLY

- (✓) Connect a 750 Ω resistor between lug 2 (NS) and lug 8 (NS) on the front section.
- (✓) Connect a 1600 Ω resistor between lug 8 (S) (2) and lug 7 (NS) on the front section.
- (✓) Connect an 1100 Ω resistor between lug 4 (NS) and lug 7 (NS) on the front section.
- (✓) Connect another 1600 Ω resistor between lug 7 (S) (3) and lug 6 (NS) on the front section.
- (✓) Connect another 1100 Ω resistor between lug 6 (NS) and lug 4 (NS) on the front section.
- (✓) Connect a third 1600 Ω resistor between lug 6 (S) (3) on the front section and lug 7 (NS) on the rear section.
- (✓) Connect a bare wire (cover with sleeving) between lug 5 (S) on the front section and lug 8 (S) on the rear section.
- (✓) Connect a 3" bare wire between lug 4 (S) (3) and after slipping a 1/2" length of sleeving on, place the lead through lug 2 (NS) on the front section. Leave the excess bare wire for eventual connection to a binding post.
- (✓) Connect a 1 1/2" bare wire to lug 3 (S). Leave the other end for eventual connection to the load switch.
- (✓) Connect a 3" bare wire to lug 2 (S) (3) on the front section and after slipping on a 1" length of sleeving, place through lug 1 (NS) on the rear section. Leave the excess length for eventual connection to the controls.
- (✓) Connect a third 1100 Ω resistor between lug 1 (NS) and lug 7 (NS) on the rear section.
- (✓) Connect a fourth 1600 Ω resistor between lug 7 (S) (3) and lug 6 (NS) on the rear section.
- (✓) Connect a fourth 1100 Ω resistor between lug 2 (NS) and lug 6 (NS) on the rear section.
- (✓) Connect a fifth 1600 Ω resistor between lug 6 (S) (3) and lug 5 (NS).
- (✓) Connect a fifth 1100 Ω resistor between lug 5 (NS), through lug 2 (S) (2) to lug 1 (S) (3).
- (✓) Connect a 390 Ω resistor between lug 5 (S) (3) and lug 4 (NS).
- (✓) Connect a 2400 Ω resistor between lug 4 (S) (2) and lug 3 (NS).
- (✓) Connect a 560 Ω resistor between lug 2 (S) on the load switch, through the nearest binding post solder lug (S). Leave the excess lead wire for eventual connection to the attenuator switch.
- (✓) Install the attenuator switch with lockwasher, nickel washer and control nut through the chassis and panel. Position as shown.

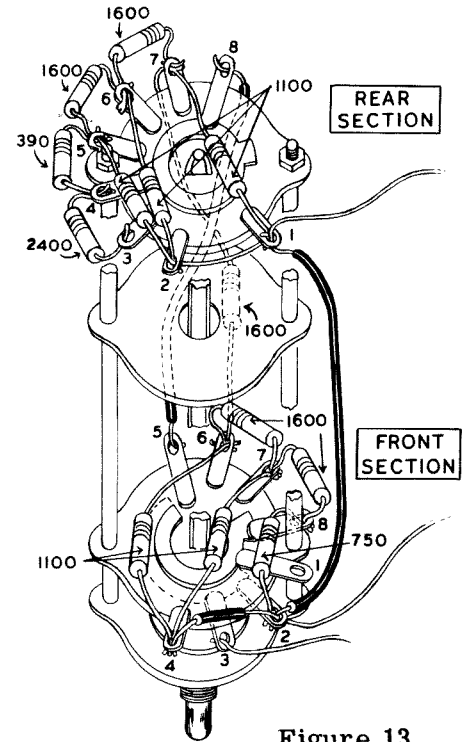


Figure 13

- (✓) Connect the bare wire from lug 1 on the rear section of the attenuator switch to lug 1 (S) (2) on the meter control.
- (✓) Connect a 4700 Ω resistor between lug 3 (S) on the meter control and lug 3 (NS) on the rear section of the attenuator switch.
- (✓) Connect a 5" wire between lug 2 (S) on the output control and lug 3 (S) (3) on the rear section of the attenuator switch.
- (✓) Connect the bare wire from lug 3 on the front section of the attenuator switch to lug 1 (S) on the load switch.
- (✓) Connect the bare wire from lug 2 on the front section of the attenuator switch to both the large and small solder lugs (S) on the binding post in the corner of the panel.
- (✓) Connect the bare wire left on the other binding post to lug 1 (S) on the front section of the attenuator switch.

This completes the wiring of the instrument. Shake out all the loose solder bits and wire clippings. Inspect the wiring carefully. Check lead dress (bare leads contacting metal parts, components touching moving parts) and inspect each connection carefully for proper soldering.

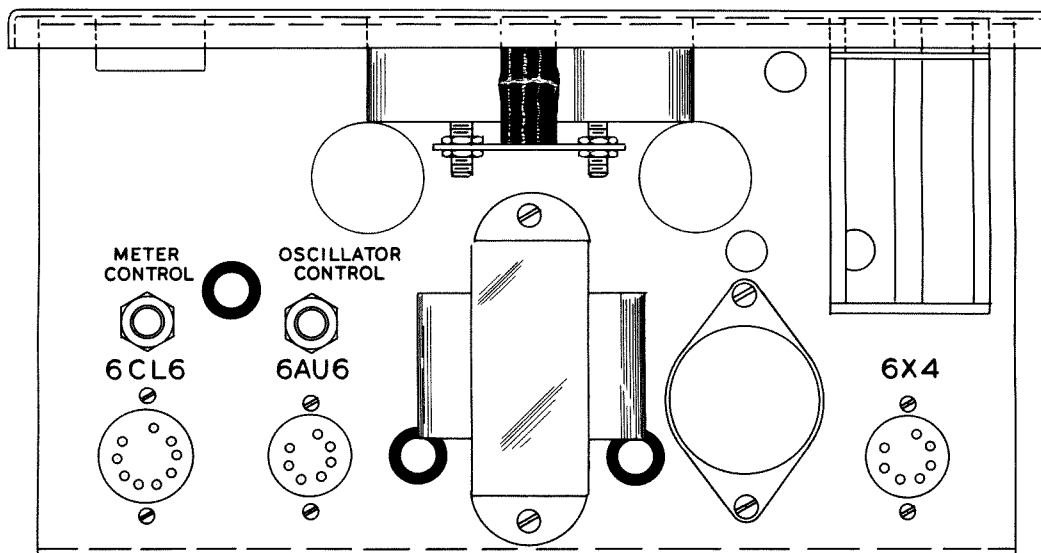


Figure 14

- (✓) Install the five knobs with set screws on the shafts of the panel controls and position them properly.
- (✓) Install the 3 watt 115 volt candelabra lamp and the 6X4, 6AU6 and 6CL6 tubes in their proper sockets. See Figure 14.
- (✓) Prepare the cabinet by installing the handle with 10-24 screws and by pushing the rubber feet into the four holes in the bottom. Moistening the rubber feet will facilitate installation.

INSTALL FEET
AS SHOWN



Figure 15

INITIAL TEST AND ADJUSTMENT

Plug the line cord into a 105-125 volt 50-60 cycle outlet. Do not plug into an outlet of higher voltage or lower frequency, or a DC outlet, as an incorrect power source will damage the transformer.

Turn power switch on and observe tubes and pilot lamp as they light up. If they do not light, turn power off and investigate filament circuit wiring. Set OSCILLATOR and METER controls about midway. Set precision (0-100) CYCLE switch to 10 or more and advance OUTPUT control. This should show a reading on the meter.

Calibrate the meter. NOTE: If in the following test the OUTPUT control is left off or fully counterclockwise, it will be severely damaged. Proceed as follows: Turn both CYCLE switches to 0. Turn the OUTPUT control to maximum clockwise. Turn the ATTENUATOR to maximum clockwise (10 volt or +20 db). Connect a wire between the red output binding post and one of the pilot light terminals on the meter terminal board. Use the terminal that gives a meter indication. Turn the METER control to produce a meter reading of 6.3 volts on the 0-10 scale (a little over half-way up the scale). Now remove the wire.

If an accurate AC voltmeter of adequate sensitivity (at least 500 Ω per volt on the 10 volt range for instance) is available, it should be used in preference to the above procedure. In that case: select a suitable frequency (between 50 and 3000 cycles, depending on the AC meter used) with the CYCLE and MULTIPLIER switches and connect the meter to the output of the generator. Adjust the METER control to produce equal readings on the two meters.

Adjust the OSCILLATOR control as follows: No connections to the output terminals. OUTPUT control at maximum. CYCLE switches and MULTIPLIER to 10 cycles or more. Turn OSCILLATOR control to give just over full scale reading on the meter. Select various frequencies between 10 cycles and 100 kc and if the output drops below full scale, readjust OSCILLATOR control for full scale. Do not adjust OSCILLATOR control higher than necessary as higher than nominal distortion will result.

This completes the adjustment of the instrument. Install the generator in the cabinet and fasten with the two #6 sheet metal screws through the rear of the cabinet into the chassis.

IN CASE OF DIFFICULTY

If upon completion of careful construction, the instrument fails to operate as specified, proceed as follows:

1. Check the wiring carefully step-by-step. Often having a friend check for you will locate an error consistently overlooked.
2. Inspect visually for malfunctioning, such as tubes lighting, discoloring of resistors through overheating, etc.
3. Inspect electrically with a voltmeter. The nominal voltages between tube socket pins and chassis are tabulated below. Nominal voltages were measured with a VTVM with 11 megohm input resistance. Lower resistance meters may give lower readings in some instances (particularly pin 6 on the 6AU6). Normal deviations due to line voltage and component variation may reach $\pm 20\%$.

TUBE	Pin 1	Pin 2	Pin 3	Pin 4	Pin 5	Pin 6	Pin 7	Pin 8	Pin 9
6X4	320AC	NC	X	X	NC	320AC	420		
6AU6	1.5	4	X	X	200	140	4		
6CL6	210	200	410	X	X	410	210	410	200

NC - no connection. X - heater voltage (one pin 0 volts, other pin 6.3 volts AC.)
Generator frequency set to 10 cycles or higher.

Discrepancies of indicated voltages warrant investigation of the particular circuit involved. Wiring errors or faulty components may be found with inspection or resistance measurements.

Consider the characteristics of the circuit by rereading the circuit description. An understanding of the theory will aid in locating and correcting difficulties.

If intelligent investigation along the lines indicated does not solve your problem, write to the Heath Company describing your difficulty in detail, giving all symptoms, voltages and other data that may aid in correcting your trouble. Be sure to state model and name of instrument, AG-9A Audio Generator. You will receive a prompt reply to guide your further efforts.

APPLICATION

This instrument lends itself to the many applications in audio laboratories where a near-perfect sine wave signal within its amplitude and frequency limits is required. Some of the applications are as follows:

Signal source for bridge measurements.

Signal source for harmonic distortion measurements.

Signal source for external modulation of RF signal generators.

Signal source for testing of audio amplifiers for gain and frequency response.

OPERATION

The instrument produces a low distortion sine wave signal voltage of adjustable amplitude and frequency. To select the desired frequency, adjust the 0-100 knob to the first significant figure, adjust the 0-10 knob to the second significant figure and turn the multiplier to the desired value.

Example: For a frequency of 35 cycles, set the 0-100 knob to 30, the 0-10 knob to 5 and the multiplier to X1.

Example: For a frequency of 72 kc, set the 0-100 knob to 70, the 0-10 knob to 2 and the multiplier to X1000.

To select the desired output amplitude into a high impedance load (10 K Ω or more): Set the LOAD switch to internal, the ATTENUATOR to the nearest full scale value above the desired output; adjust the OUTPUT control to give the desired output on the appropriate meter scale.

Example: Desired voltage 7.3 volts. Set ATTENUATOR to 10 volts full scale. Turn OUTPUT to give a 7.3 volt reading on the 0-10 volt scale.

Example: Desired voltage .025 volts. Set ATTENUATOR to .03 volts full scale. Turn OUTPUT to give a 2.5 volt reading on the 0-3 volt scale.

To select the desired output amplitude into an external 600 Ω load (1 volt maximum): Set the LOAD switch to external and proceed as above.

USING THE DB SCALE

The decibel is a ratio of two power levels and is used in comparative expressions. It may be applied to voltage levels if the impedances are identical. It may be used as a quantitative indication for one power or voltage level if the other level is defined. In this instrument, the db scale is based on a reference or standard level of 0 db = 1 milliwatt in 600 Ω . If used with a 600 Ω external load, the meter reading is expressed in dbm and the reference level is automatically defined.

If the instrument is used with loads differing from 600 Ω but substantially less than 10 K Ω , correction factors for the voltage reduction in the attenuator and for the db level may be calculated.

If the instrument is used with high impedance loads, the relation between two signal levels may be expressed as a number of db difference.

Example: A device requires a signal of .61 volts on one input jack for a certain output. It requires a signal of .012 volts on another input jack for the same output. How many db difference between the two input jacks?

.61 volts is - 2 db (on meter) ± 0 db (on attenuator) = -2
.012 volts is -6 db (on meter) -30 db (on attenuator) = -36
level difference is (-2) - (-36) = 34 db.

NOTE: Theoretically the input impedances should be equal in the above example. The method described is generally more useful than calculating the power level at each input (using voltage and input impedance and using the formula:

$$\text{db} = 10 \log \frac{P_1}{P_2} = 10 \log \frac{E_1^2/R_1}{E_2^2/R_2}$$

for equal impedances this reduces to:

$$\text{db} = 10 \log \frac{(E_1)^2}{(E_2)^2} = 20 \log \frac{E_1}{E_2}$$

Although theoretically correct, erroneous impression may be gained by using the above approach: Changing a 10 K Ω grid resistor to 10 megohm decreases the power level by a factor of 100 or 20 db. Yet the input voltage is unchanged.

For further information see: Langford-Smith; Radiotron Designer's Handbook, 4th Ed. Ch. 19

ACCURACY

As the output of this instrument is a signal voltage of a certain frequency and a certain amplitude a certain amount of accuracy of those two factors may be expected.

Frequency is primarily determined by the "notch" network and thus the precision of the components in this network. Nominal tolerance on the precision resistors is 1%, on the condensers 2%. The influence of the 5% resistors is at most, a tenth of the effect of the precision resistors, so their maximum contribution is not more than 1/2%. Allowing for temperature effects, stray capacities and phase shift of the amplifiers at the frequency limits, the maximum frequency error is expected to fall within 5% of the indicated frequency.

Output voltage depends on a number of factors. Meter calibration is the task of the constructor and it should be borne in mind that many standard meters are subject to frequency errors. Iron vane and dynamometer instruments rarely maintain their rated accuracy above 150 cycles. Rectifier instruments begin to drop at about 5 to 10 kc. The output voltage is further affected by the attenuator. Here 5% resistors are used and the resultant accuracy should fall within 5%. The attenuator accuracy also depends on the load resistance, particularly on the 3 volt range, where a 12 K Ω load makes the output 1/2 db less than indicated and a 2000 Ω load causes a 3 db error.

On the 1 volt range and below, a high impedance load will be subject to twice the indicated voltage (6 db high) if the internal load is not used.

On the 10 volt range however, loading, while lowering the output voltage, will not cause error because the meter indicates the output voltage directly. Loads of less than 10 K Ω may increase the distortion and very low resistance loads effectively short out the 6CL6 output and cause oscillation to cease, when the output control is set at maximum.

The meter and its circuit contribute additional inaccuracies at voltages differing from the calibration voltage. The meter movement may deviate as much as 2% of the full scale value due to the discrepancy between the nominal meter curve on which the scale is based and the characteristics of the particular movement in an instrument. The meter rectifiers are non-linear at low voltages but this deviation is effectively compensated for by the third diode. Considering all the factors affecting the accuracy of the output voltage, it is expected to fall within 5% of indicated value.

BIBLIOGRAPHY

This manual is written to enable the owner of this instrument to successfully assemble and operate it. It is not an exhaustive treatise on the subject of Audio Generators and their use. Further information may be obtained from the many fine textbooks and excellent magazine articles available from most libraries. A few of these sources are listed below.

Harris; Electrical Measurements, Wiley 1952
Terman and Pettit; Electronic Measurements, McGraw-Hill 1952
Turner; Basic Electronic Test Instruments, Rinehart 1953
Savant; How to Design Notch Networks, Electronics, May 1953
Sulzer; Wide Range RC Oscillator, Electronics, Sept. 1950
Sulzer; Low Distortion Transistor Oscillator, Electronics, Sept. 1953
Sulzer; Low Distortion Oscillator, Electronics, May 1955

There are also various articles in:

Tele-Tech, Sept. 1950, p. 73
Radio and Television News, June 1951, p. 62; Jan. 1953, p. 62; July 1953 p. 58
Radio Electronics, Nov. 1951, p. 34; July 1954, p. 54
Audio Engineering, Aug. 1952, p. 13; February 1953, p. 21
Electronics, October 1953, p. 174

REPLACEMENTS

Material supplied with Heathkits has been carefully selected to meet design requirements and ordinarily will fulfill its function without difficulty. Occasionally improper instrument operation can be traced to a faulty tube or component. Should inspection reveal the necessity for replacement, write to the Heath Company and supply all of the following information:

- A. Thoroughly identify the part in question by using the part number and description found in the manual parts list.
- B. Identify the type and model number of kit in which it is used.
- C. Mention the order number and date of purchase.
- D. Describe the nature of defect or reason for requesting replacement.

The Heath Company will promptly supply the necessary replacement. Please do not return the original component until specifically requested to do so. Do not dismantle the component in question as this will void the guarantee. If tubes are to be returned, pack them carefully to prevent breakage in shipment as broken tubes are not eligible for replacement. This replacement policy does not cover the free replacement of parts that may have been broken or damaged through carelessness on the part of the kit builder.

SERVICE

If, after applying the information contained in this manual and your best efforts on the unit, you are still unable to obtain proper performance from the instrument, it is suggested that you take advantage of the technical facilities which the Heath Company makes available to its customers.

The Technical Consultation Department is maintained for the purpose of providing Heath customers with a personalized technical consultation service; it is available to you without charge. The technical consultants are thoroughly familiar with all details of every Heathkit and can usually localize the trouble from a suitable description of the difficulty encountered. It is, of course, necessary that you provide full and complete information concerning your problem when writing to the Technical Consultation Department for assistance. For instance, clearly identify the kit involved, giving the purchase date and, if possible, the invoice number; describe in detail the difficulty that you have encountered; state what you have attempted to do to rectify the trouble, what results have been achieved, and include any information or clues that you feel could possibly be of value to the consultant who handles your problem. Failure to provide complete descriptive details may lead to incorrect assumptions on the part of the consultant and needless

delay in the solution to your problem. Quite frequently, when the information given the consultant is complete, concise and reliable, a diagnosis of the difficulty can be made with confidence and specific instructions given for its correction. If replacement of a component is involved in the correction, the component will be shipped to you, subject to the terms and conditions of the Warranty.

The Factory Service Department is also available to you, in case you are not familiar enough with electronics to provide our consultants with sufficient information on which to base a diagnosis of your difficulty, or in the event that you prefer to have the difficulty corrected in this manner. You may return the complete instrument to the Heath Company for inspection and necessary repairs and adjustments. You will be charged a fixed fee of \$5.00, plus the price of any additional parts or material required. However, if the instrument is returned within the Warranty period, parts charges will be governed by the terms of the Warranty. State the date of purchase and give invoice number, if possible.

Local Service by Authorized Heathkit Dealers is also available and often will be your fastest, most efficient method of obtaining service for your Heathkits. Although you may find charges for local service somewhat higher than those listed in Heathkit manuals (for factory service), the amount of increase is usually offset by the transportation charges you would pay if you elected to return your kit to the Heath Company.

Heathkit dealers will honor the regular 90 day Heathkit Parts Warranty on all kits, whether purchased through a dealer or directly from Heath Company. It will be necessary that you verify the purchase date of your kit by presenting your copy of the Heath Company invoice to the authorized dealer involved.

Under the conditions specified in the Warranty, replacement parts are supplied without charge; however, if your local dealer assists you in locating a defective part (or parts) in your Heathkit, or installs a replacement part for you, he may charge you for this service.

Heathkits purchased locally and returned to Heath Company for service must be accompanied by your copy of the dated sales receipt from your authorized Heathkit dealer in order to be eligible for parts replacement under the terms of the Warranty.

THESE SERVICE POLICIES APPLY ONLY TO COMPLETED INSTRUMENTS CONSTRUCTED IN ACCORDANCE WITH THE INSTRUCTIONS AS STATED IN THE MANUAL. Instruments that are not entirely completed or instruments that are modified in design will not be accepted for repair. Instruments showing evidence of acid core solder or paste fluxes will be returned NOT repaired.

For information regarding modifications of Heathkits for special applications, it is suggested that you refer to any one or more of the many publications that are available on all phases of electronics. They can be obtained at or through your local library, as well as at most electronic outlet stores. Although the Heath Company sincerely welcomes all comments and suggestions, it would be impossible to design, test, evaluate and assume responsibility for proposed circuit changes for specific purposes. Therefore, such modifications must be made at the discretion of the kit builder, according to information which will be much more readily available from some local source.

SHIPPING INSTRUCTIONS

Before returning a unit for service, be sure that all parts are securely mounted.

**ATTACH A TAG TO THE INSTRUMENT GIVING
NAME, ADDRESS AND TROUBLE EXPERIENCED.**

Pack in a rugged container, preferably wood, using at least three inches of shredded newspaper or excelsior on all sides. **DO NOT SHIP IN THE ORIGINAL KIT CARTON AS THIS CARTON IS NOT CONSIDERED ADEQUATE FOR SAFE SHIPMENT OF THE COMPLETED INSTRUMENT.** Ship by prepaid express if possible. Return shipment will be made by express collect. Note that a carrier cannot be held liable for damage in transit if packing, in HIS OPINION, is insufficient.

SPECIFICATIONS

All prices are subject to change without notice. The Heath Company reserves the right to discontinue instruments and to change specifications at any time without incurring any obligation to incorporate new features in instruments previously sold.

WARRANTY

Heath Company warrants that for a period of three months from the date of shipment, all Heathkit parts shall be free of defects in materials and workmanship under normal use and service and that in fulfillment of any breach of such warranty, Heath Company shall replace such defective parts upon the return of the same to its factory. The foregoing warranty shall apply only to the original buyer, and is and shall be in lieu of all other warranties, whether express or implied and of all other obligations or liabilities on the part of Heath Company and in no event shall Heath Company be liable for any anticipated profits, consequential damages, loss of time or other losses incurred by the buyer in connection with the purchase, assembly or operation of Heathkits or components thereof. No replacement shall be made of parts damaged by the buyer in the course of handling or assembling Heathkit equipment.

NOTE: The foregoing warranty is completely void and we will not replace, repair or service instruments or parts thereof in which acid core solder or paste fluxes have been used.

HEATH COMPANY

PART No.	PARTS Per Kit	DESCRIPTION
----------	---------------	-------------

PART No.	PARTS Per Kit	DESCRIPTION
----------	---------------	-------------

Resistors

1-1	1	47 Ω
1-4	1	330 Ω
1-94	1	390 Ω
1-95	1	560 Ω
1-96	1	750 Ω
1-97	5	1100 Ω
1-98	5	1600 Ω
1-90	1	2000 Ω
1-89	1	2400 Ω
1-16	1	4700 Ω
1-20	2	10 KΩ
1-99	2	240 KΩ
1-87	2	330 KΩ
1-100	2	510 KΩ
1-101	2	1 megohm
1-121	1	120 KΩ
1-7A	1	47 KΩ 1 watt
3-2T	1	5000 Ω 20 watt
2-97	2	25 KΩ precision
2-98	2	33.3 KΩ precision
2-99	2	50 KΩ precision
2-11	2	100 KΩ precision

Condensers

20-1	1	47 μmf mica
20-55	1	500 μmf mica
23-67	1	.005 μfd paper
23-68	1	.05 μfd paper
23-69	1	.5 μfd paper
25-5	1	16 μfd 150 v electrolytic
25-16	1	20 μfd 350 v electrolytic
25-37	1	40-40 μfd 450 v electrolytic

Controls-Switches

10-34	1	600 Ω control
10-7	1	5000 Ω control
10-8	1	10 KΩ control
60-1	2	SPST slide switch
63-8	1	4-pos. switch MULTIPLIER
63-107	1	8-pos. switch ATTENUATOR
63-108	2	11-pos. switch CYCLE

Tubes-Lamp-Sockets

411-11	1	6AU6 tube
411-63	1	6CL6 tube
411-64	1	6X4 tube
412-2	1	115 v 3 watt lamp
412-4	1	#50 pilot lamp
434-15	2	7-pin wafer socket
434-16	1	9-pin wafer socket
434-23	1	Candelabra socket
434-47	1	Pilot lamp socket

Binding Posts-Terminals-Knobs

75-17	4	Insulator bushing
100-M16B	1	Binding post cap, black
100-M16R	1	Binding post cap, red
427-2	2	Binding post base
431-3	1	3-lug terminal strip
431-19	1	5-lug terminal strip
431-23	1	Terminal board
462-19	5	Knob w/skirt

Choke-Transformer-Diode-Meter

46-3	1	Filter choke
54-57	1	Power transformer
56-4	3	Crystal diode
407-8A	1	Meter

Hardware

250-2	6	3-48 screw
250-8	2	#6 sheet metal screw
250-9	12	6-32 screw
250-83	2	#10 x 1/2 handle screw
252-1	6	3-48 nut
252-3	14	6-32 nut
252-7	7	Control nut
253-10	5	Nickel control washer
254-1	12	#6 lockwasher
254-4	7	Control lockwasher
259-1	2	#6 solder lug
259-10	1	Control solder lug

Sheet Metal Parts

90-60	1	Cabinet
200-M123	1	Chassis
203-80F158	1	Panel

Wire-Sleeving

89-1	1	Line cord
340-2	1	length Bare wire
344-1	1	length Hookup wire
346-1	1	length Sleeving
346-6	1	length 3/8 sleeving

Miscellaneous

73-1	4	Rubber grommet
211-4	1	Handle
261-1	4	Rubber feet
481-3	1	Condenser mounting wafer
595-165	1	Instruction manual