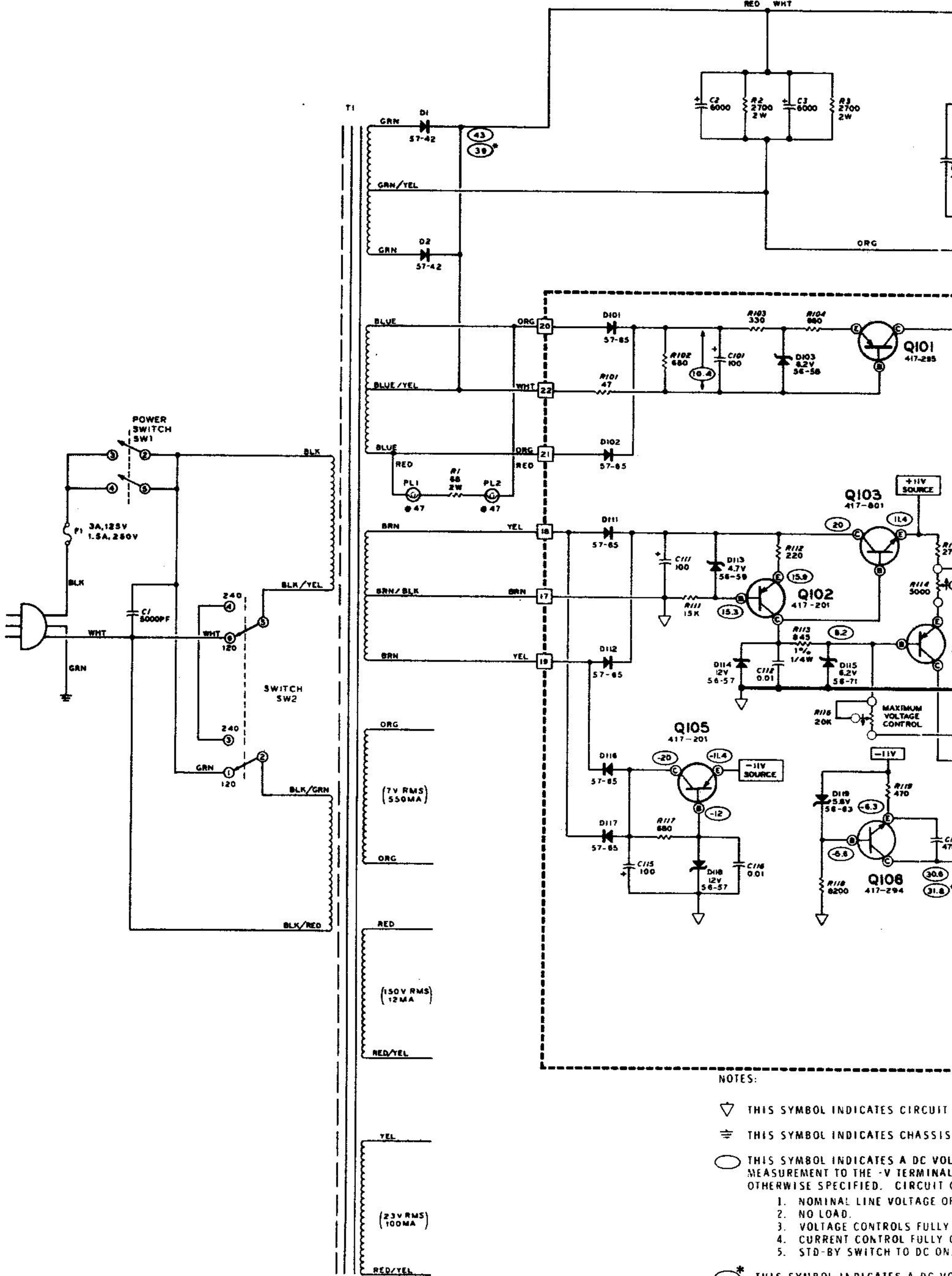


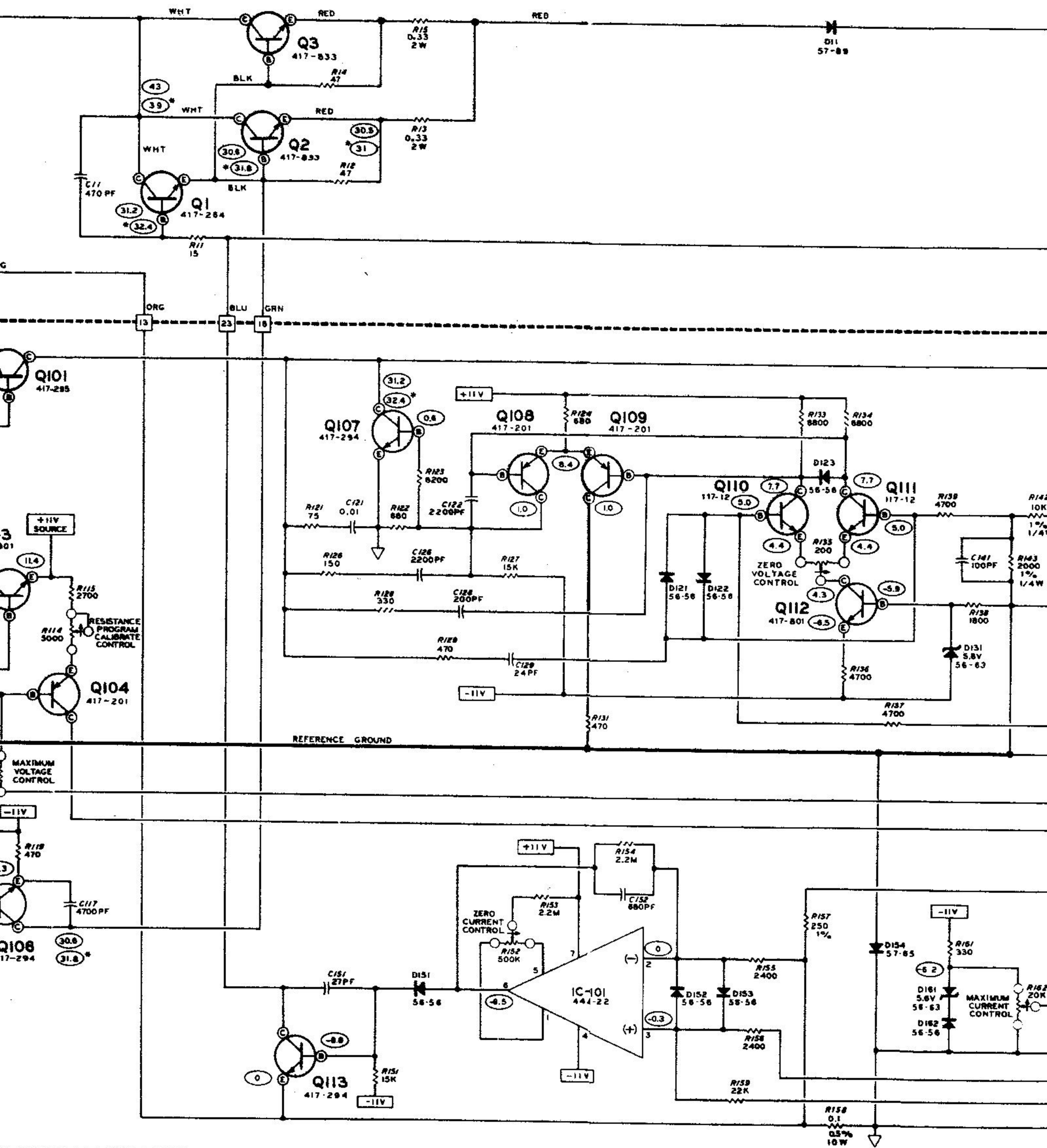
- NOTES:
- ▽ THIS SYMBOL INDICATES CIRCUIT GROUND.
  - ≡ THIS SYMBOL INDICATES CHASSIS GROUND.
  - THIS SYMBOL INDICATES A DC VOLTAGE MEASUREMENT TO THE -V TERMINAL, UNLESS OTHERWISE SPECIFIED. CIRCUIT CONDITIONS INCLUDE:
    1. NOMINAL LINE VOLTAGE OF 120 VAC (240 VAC).
    2. NO LOAD.
    3. VOLTAGE CONTROLS FULLY CLOCKWISE.
    4. CURRENT CONTROL FULLY CLOCKWISE.
    5. STD-BY SWITCH TO DC ON.
  - \* THIS SYMBOL INDICATES A DC VOLTAGE MEASUREMENT TO THE -V TERMINAL UNDER FULL RATED LOAD CONDITIONS.
  - THIS SYMBOL INDICATES A CIRCUIT BOARD WIRE CONNECTION.
  - ↻ ARROW INDICATES CLOCKWISE ROTATION.
- ALL RESISTORS ARE 1/2-WATT UNLESS MARKED OTHERWISE. RESISTOR VALUES ARE IN OHMS (K=1,000, M=1,000,000).
- ALL CAPACITOR VALUES ARE IN MICROFARADS UNLESS MARKED OTHERWISE.
- CIRCUIT COMPONENT NUMBERS ARE IN THE FOLLOWING GROUPS:  
 0-99 CHASSIS MOUNTED PARTS.  
 100-199 CIRCUIT BOARD PARTS.

**SCHEMATIC OF THE  
HEATHKIT®  
30V, 3A POWER SUPPLY  
MODEL IP-2710**

NOTE SW4 IS SHOWN OUT AND SW5 IS SHOWN IN



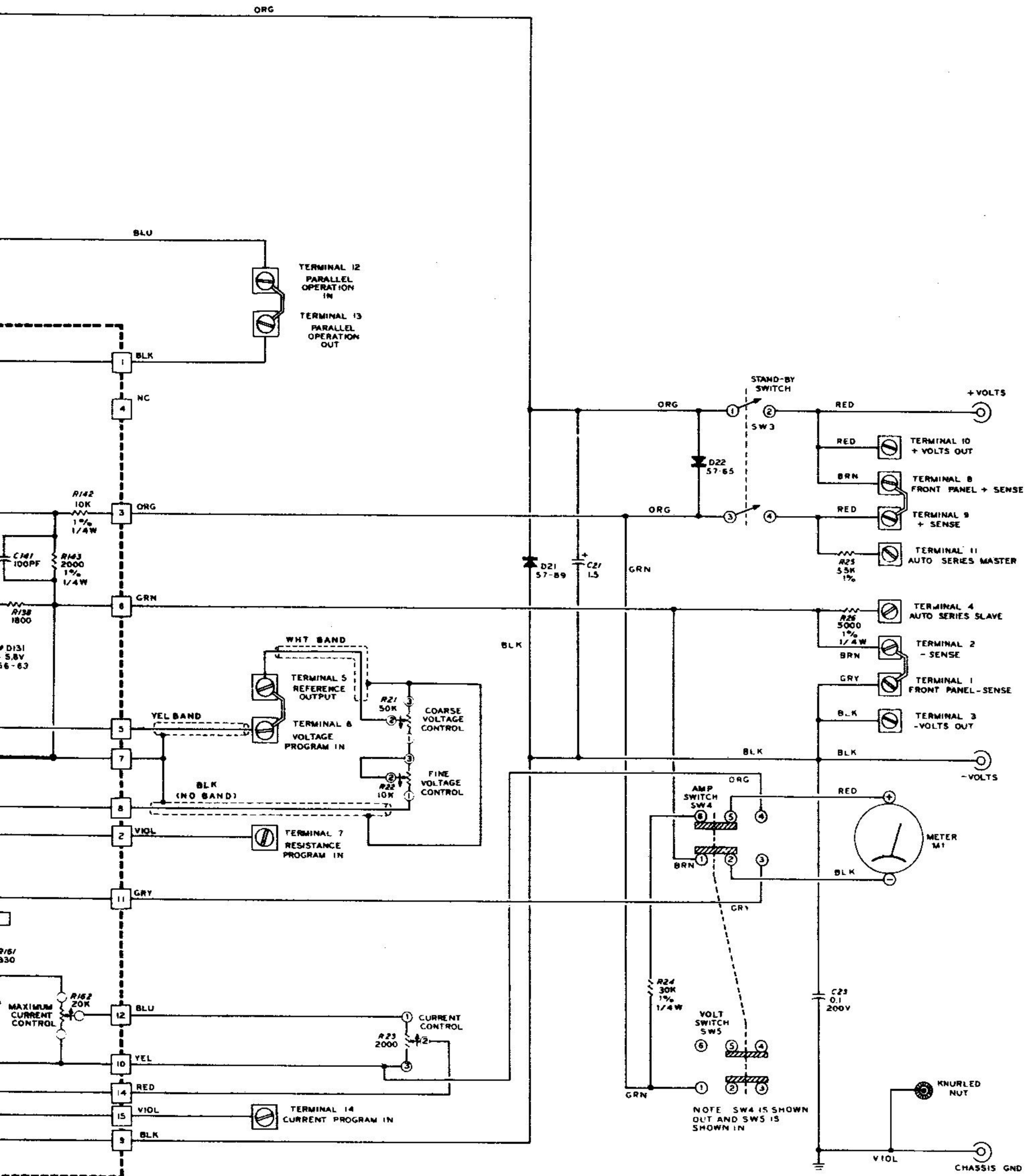




INDICATES CIRCUIT GROUND.  
 INDICATES CHASSIS GROUND.  
 INDICATES A DC VOLTAGE  
 -V TERMINAL, UNLESS  
 D. CIRCUIT CONDITIONS INCLUDE:  
 LINE VOLTAGE OF 120 VAC (240 VAC).  
 CONTROLS FULLY CLOCKWISE.  
 CONTROL FULLY CLOCKWISE.  
 SWITCH TO DC ON.  
 INDICATES A DC VOLTAGE MEASUREMENT  
 UNDER FULL RATED LOAD CONDITIONS.  
 INDICATES A CIRCUIT BOARD WIRE

ARROW INDICATES CLOCKWISE ROTATION.  
 ALL RESISTORS ARE 1/2-WATT UNLESS MARKED  
 OTHERWISE. RESISTOR VALUES ARE IN OHMS  
 (K=1,000, M=1,000,000).  
 ALL CAPACITOR VALUES ARE IN MICROFARADS  
 UNLESS MARKED OTHERWISE.  
 CIRCUIT COMPONENT NUMBERS ARE IN THE  
 FOLLOWING GROUPS:  
 0-99 CHASSIS MOUNTED PARTS.  
 100-199 CIRCUIT BOARD PARTS.

## SCHEMATIC OF HEATHKIT 30V, 3A POWER SUPPLY MODEL IP-27



**SCHEMATIC OF THE  
ATHKIT®  
POWER SUPPLY  
MODEL IP-2710**