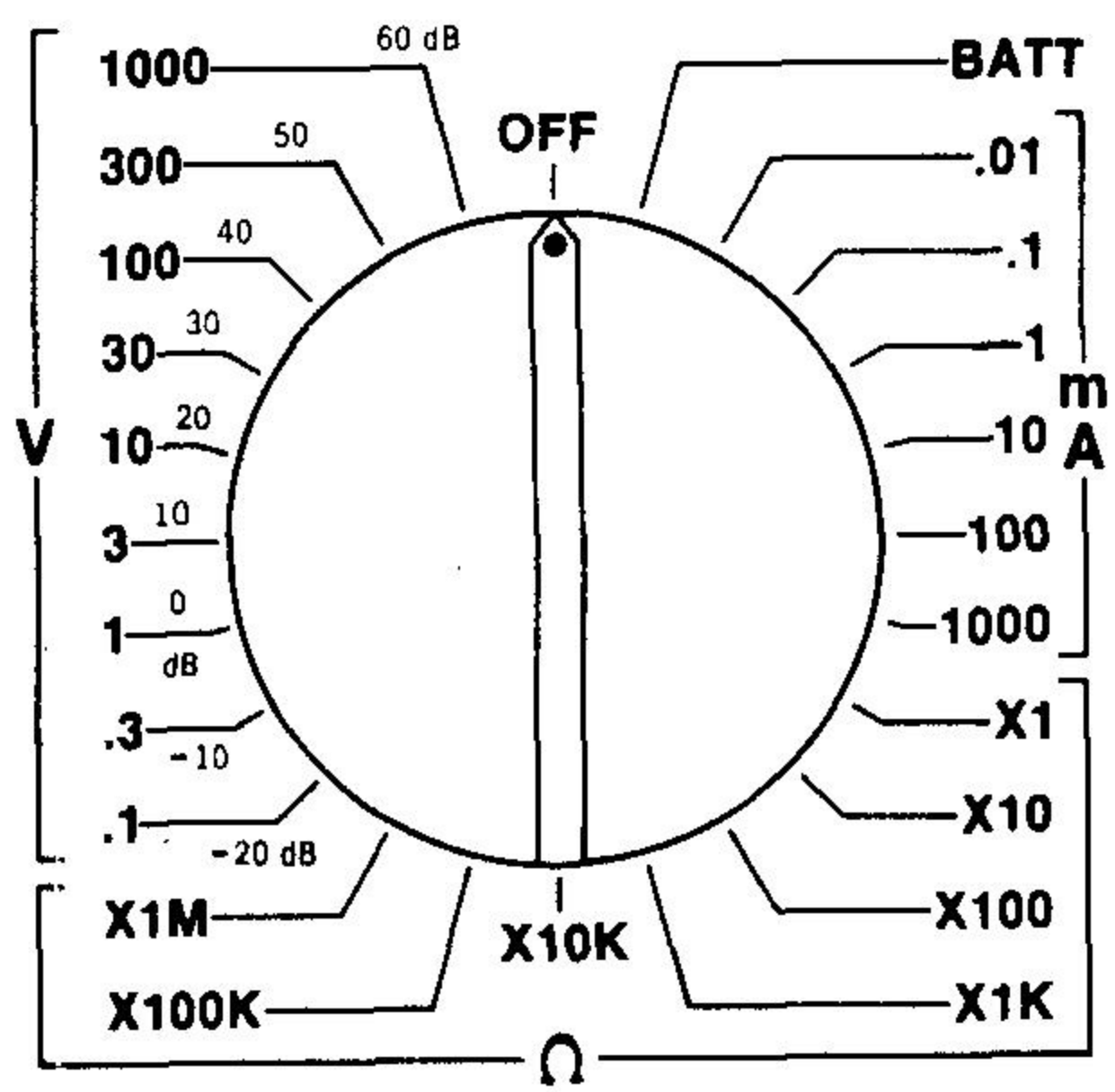
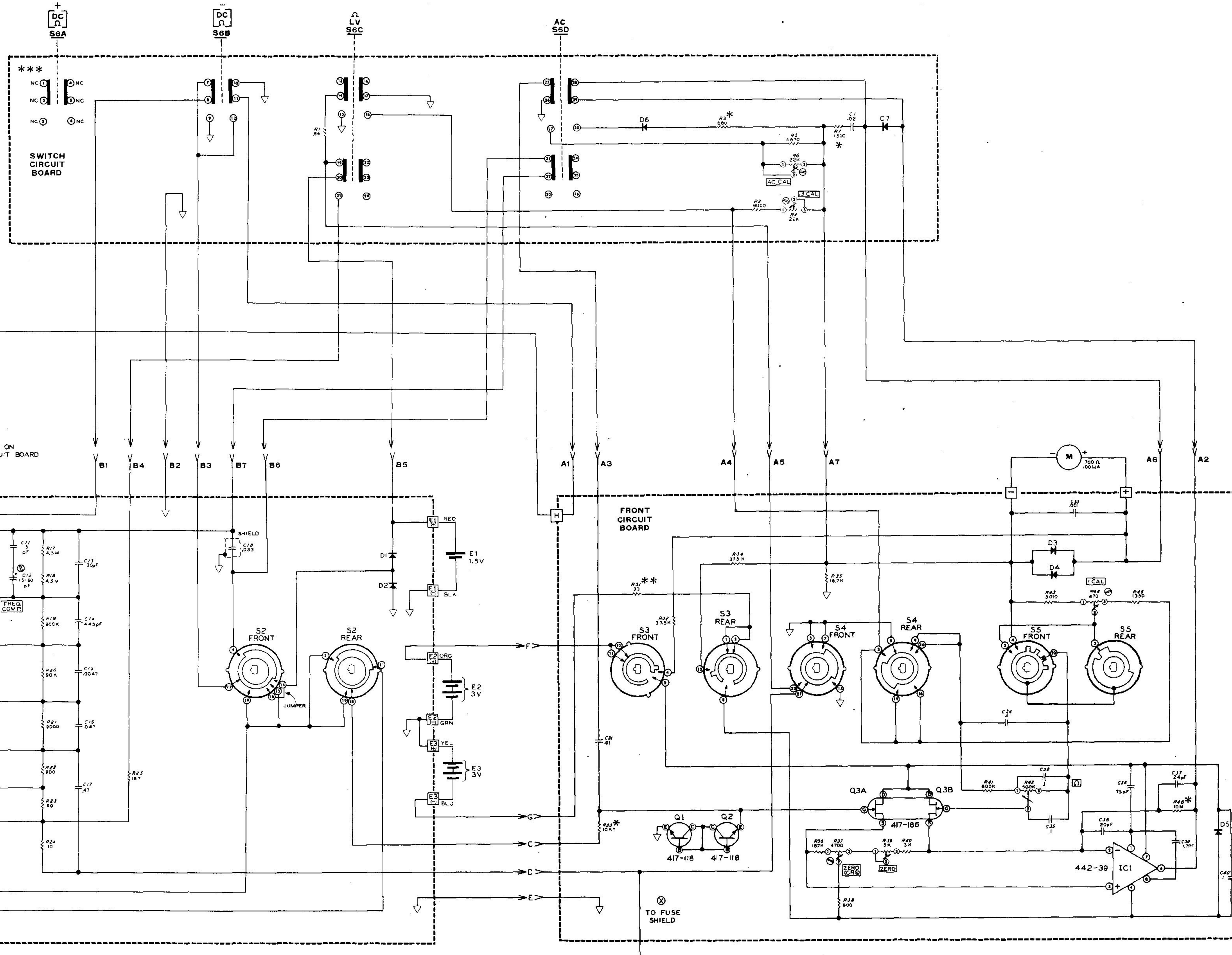


**NOTES:**

1. RESISTOR VALUES ARE IN OHMS (K=1,000, M=1,000,000).
2. ALL RESISTORS ARE 1% PRECISION EXCEPT THOSE MARKED WITH AN ASTERISK (\*), WHICH ARE 5%, OR WITH TWO ASTERISKS (\*\*), WHICH ARE 10%.
3. CAPACITOR VALUES ARE IN  $\mu$ F UNLESS MARKED OTHERWISE.
4. RESISTOR AND CAPACITOR NUMBERS ARE IN THE FOLLOWING GROUPS:  
 1 - 10 PARTS ON THE SWITCH CIRCUIT BOARD.  
 11 - 30 PARTS ON THE REAR CIRCUIT BOARD.  
 31 - 50 PARTS ON THE FRONT CIRCUIT BOARD.
5.  $\Rightarrow$  THIS SYMBOL INDICATES A CONNECTION BETWEEN CIRCUIT BOARDS.
6.  $\nabla$  THIS SYMBOL INDICATES A SOCKET CONNECTOR ON THE FRONT PANEL.
7.  $\square$  LETTERS OR SYMBOLS IN A BOX INDICATE LOCATIONS ON THE CIRCUIT BOARDS.
8.  $\odot$  THIS SYMBOL INDICATES A SCREWDRIVER ADJUSTMENT.
9.  $\curvearrowright$  THIS SYMBOL INDICATES CLOCKWISE ROTATION OF CONTROLS OR ADJUSTMENTS AS VIEWED FROM THE KNOB END OF THE SHAFT.
10. SWITCHES S1 THROUGH S5 ARE GANGED ON A COMMON SHAFT.
11. ALL SWITCHES ARE SHOWN AS VIEWED FROM THE FRONT.
12. REFER TO THE CIRCUIT BOARD X-RAY VIEWS FOR THE PHYSICAL LOCATION OF PARTS.
13. \*\*\* THIS SWITCH HAS NO WIRING CONNECTIONS TO IT AND IS USED ONLY FOR SWITCH INTERLOCK PURPOSES.



**RANGE SWITCH**

**SCHEMATIC OF THE HEATHKIT® SOLID-STATE VOM MODEL IM-104**