

**SCHEMATIC OF THE  
HEATHKIT®  
AUDIO EQUALIZER  
MODEL AD-1305**

Copyright © 1975  
Heath Company  
All Rights Reserved

**NOTES:**

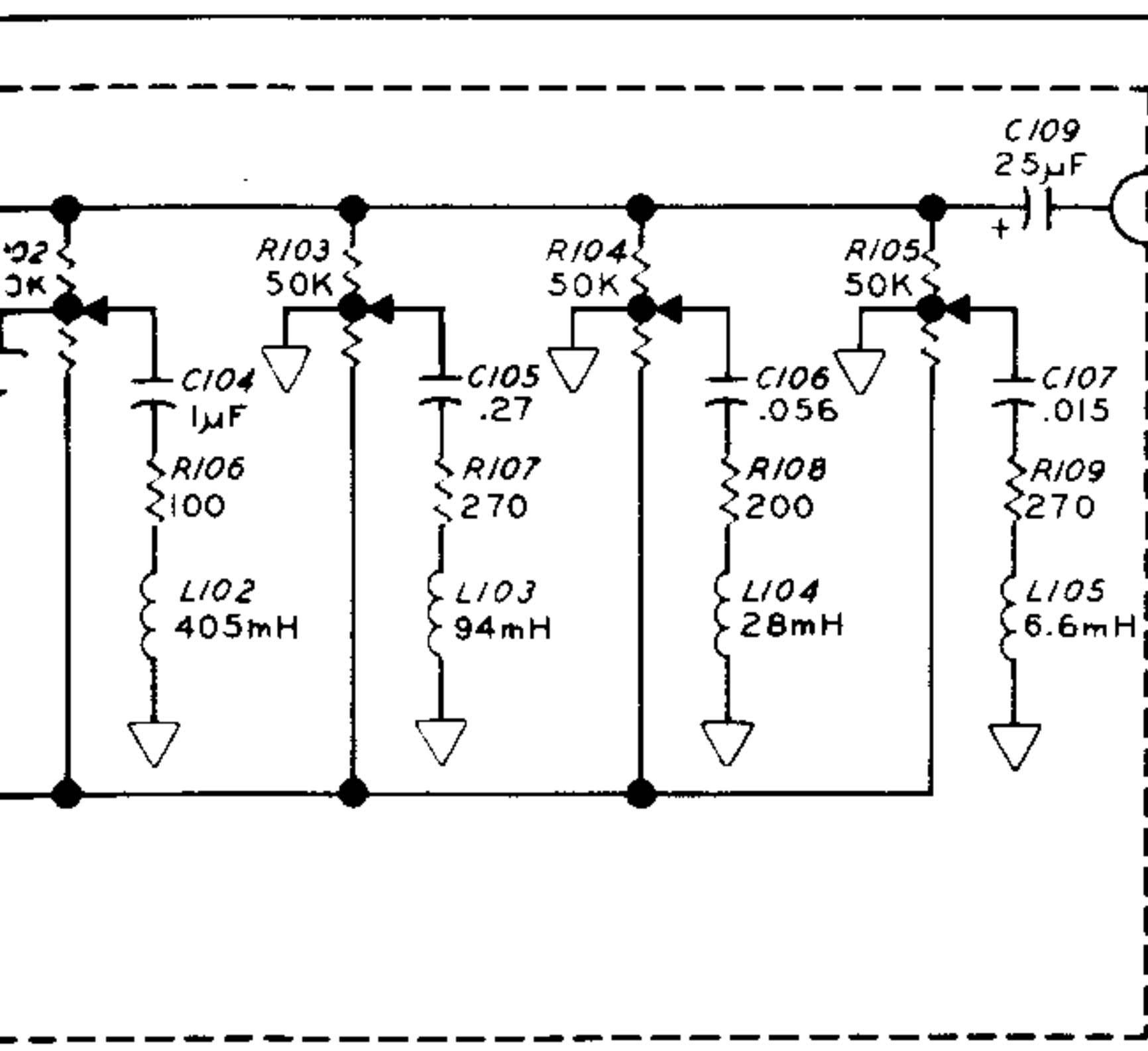
1. PARTS ARE NUMBERED IN THE FOLLOWING GROUPS:
  - 1- 99 PARTS ON THE EQUALIZER CIRCUIT BOARD.
  - 101-199 PARTS ON THE CONTROL CIRCUIT BOARD.
  - 201-299 PARTS ON THE CHASSIS.
2. ALL RESISTORS ARE 1/2-WATT 5% UNLESS MARKED OTHERWISE. RESISTOR VALUES ARE IN OHMS (K=1000, M=1,000,000.)
3. CAPACITOR VALUES LESS THAN 1 ARE IN  $\mu$ F. VALUES OF 1 OR GREATER ARE IN pF, UNLESS OTHERWISE MARKED.

4. SWITCHES ARE SHOWN AS FOLLOWS:

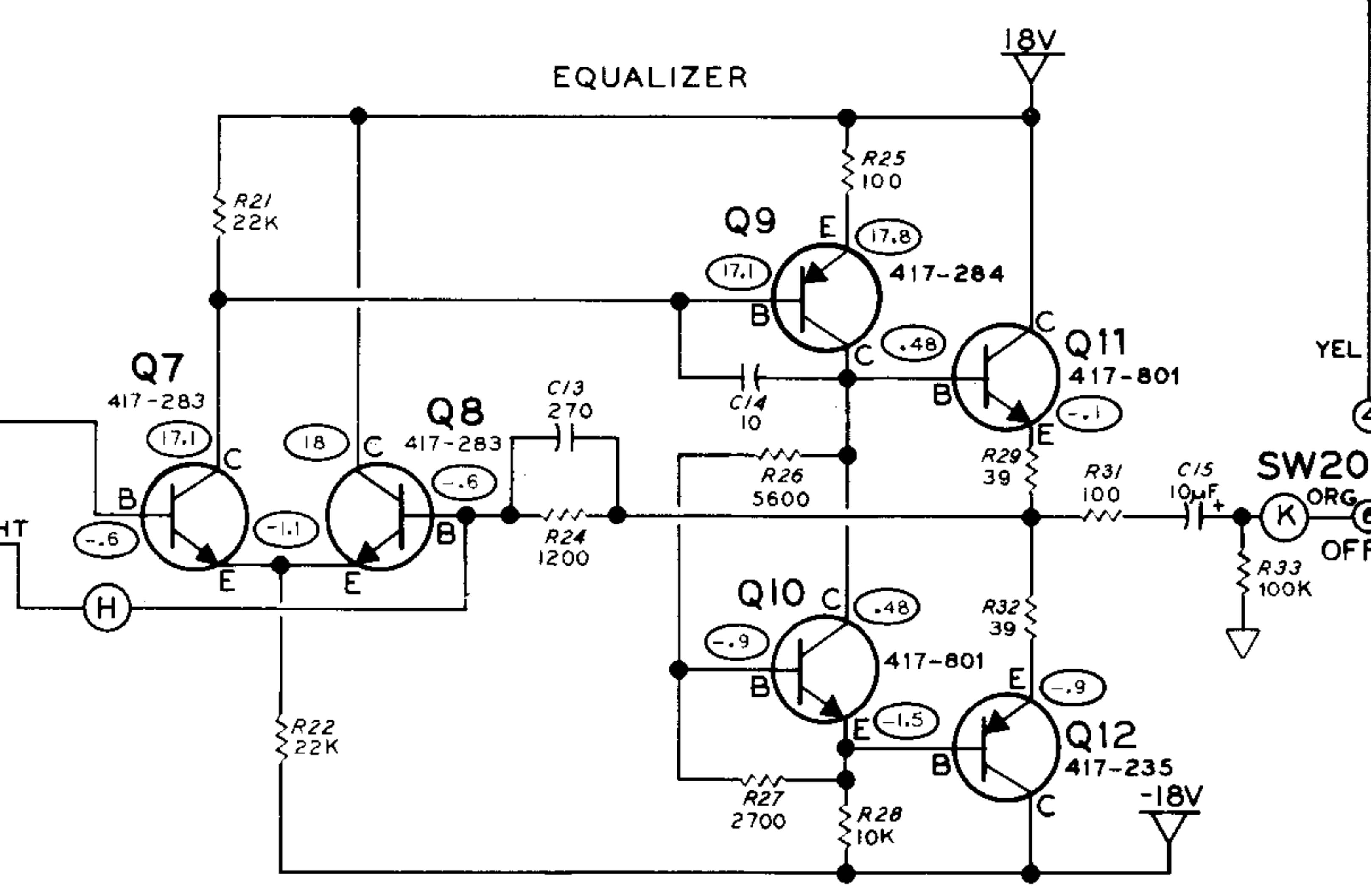
TAPE MON-OFF.  
TONE FLAT-OFF.  
POWER-OFF.  
ALL FREQUENCY CONTROLS-CENTER OF RANGE.

5. THIS SYMBOL INDICATES A CIRCUIT BOARD GROUND.
6. THIS SYMBOL INDICATES A CHASSIS GROUND.
7. THIS SYMBOL WITH A LETTER OR NUMBER IN IT INDICATES A WIRE CONNECTED TO THE CIRCUIT BOARD.
8. THIS SYMBOL INDICATES A POSITIVE DC VOLTAGE MEASUREMENT TAKEN WITH A HIGH IMPEDANCE VOLT-METER FROM THE POINT INDICATED TO CHASSIS GROUND. VOLTAGES MAY VARY  $\pm$  20%.

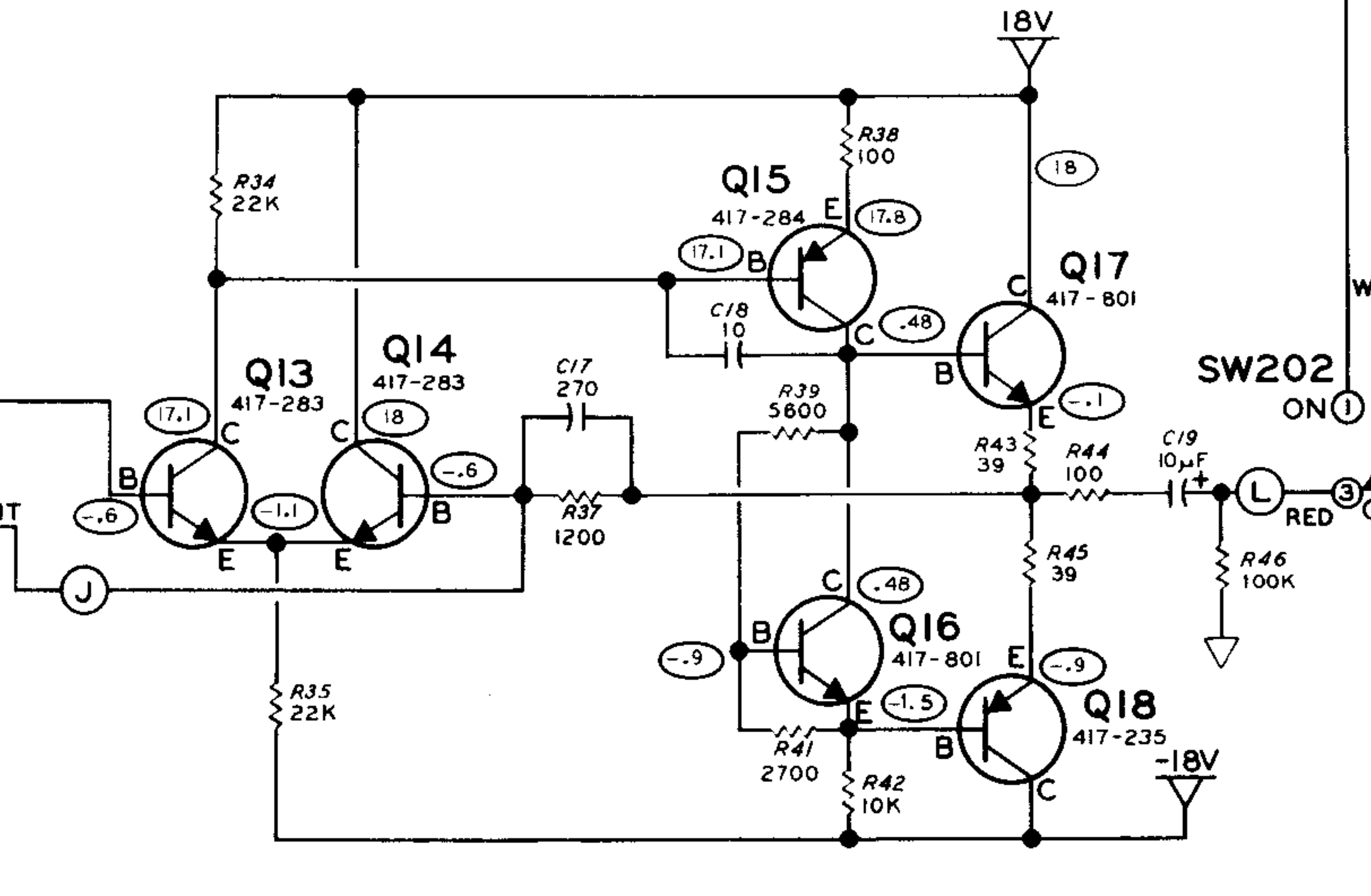
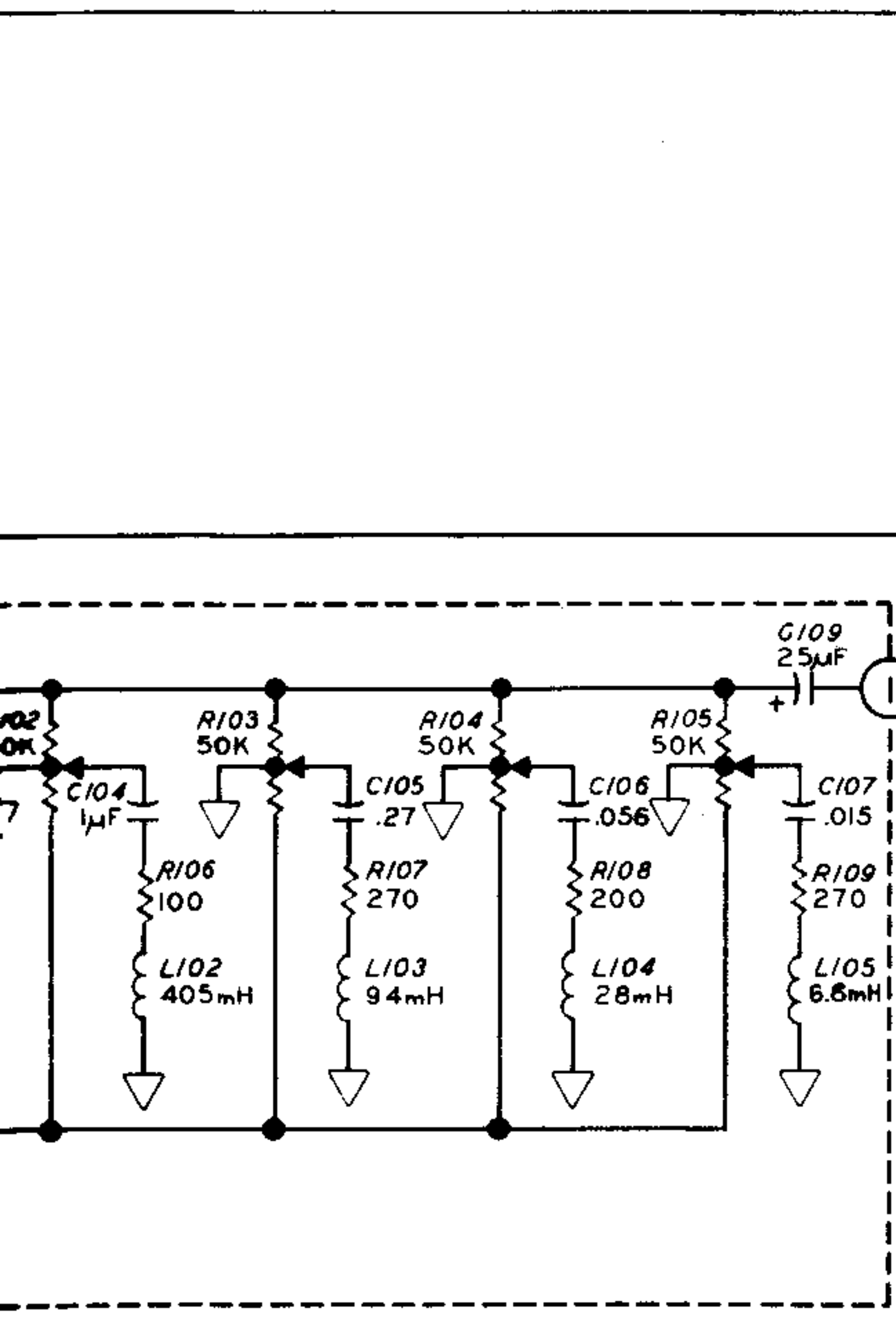
**FREQUENCY CONTROL**



**EQUALIZER**

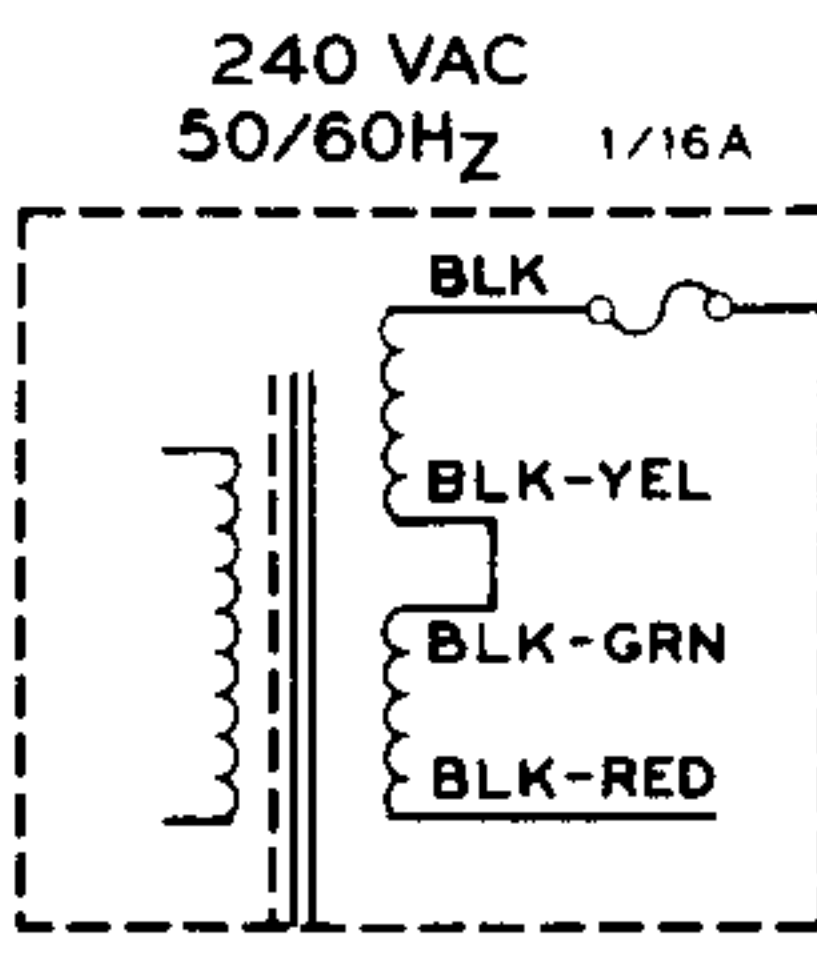
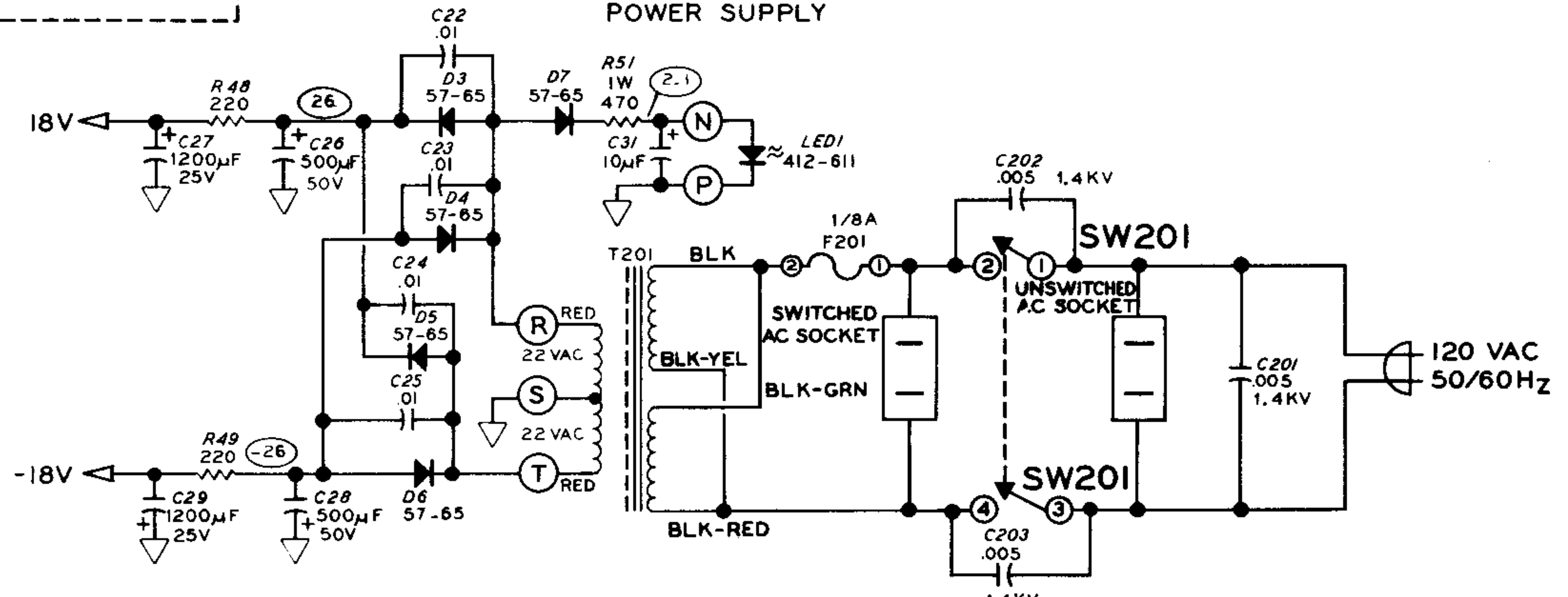


YEL TONE FLAT  
ON  
LEFT CHANNEL  
ORG  
OUTPUT



WHT TONE FLAT  
ON  
RIGHT CHANNEL  
RED  
OUTPUT

**POWER SUPPLY**



ANGE.  
T BOARD GROUND.  
S GROUND.  
MBER IN IT  
THE CIRCUIT BOARD.  
VE DC VOLTAGE  
IMPEDANCE VOLT-  
TO CHASSIS GROUND.