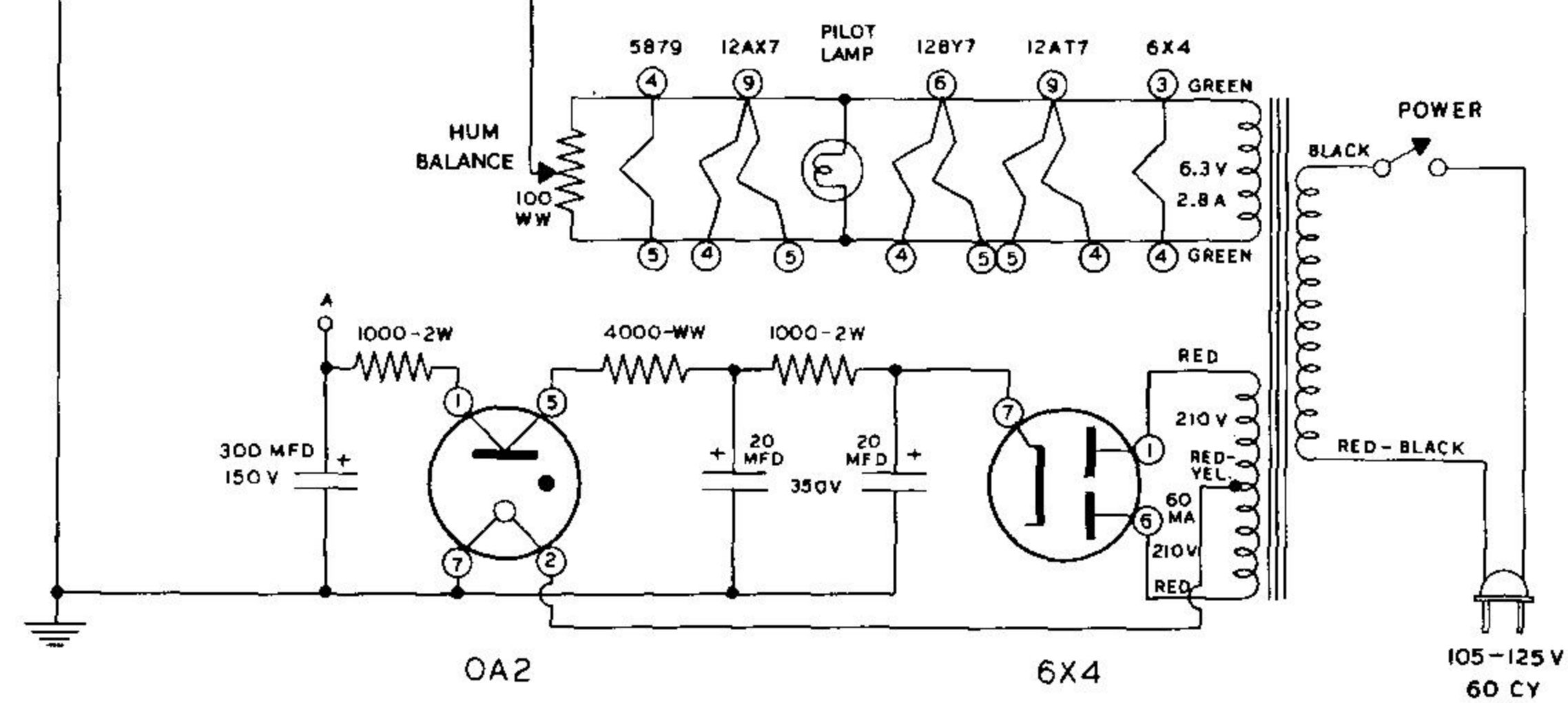


ALL SWITCHES SHOWN IN COUNTER CLOCKWISE POSITION
 FRACTIONAL CAPACITIES ARE IN MFD.
 OTHER CAPACITIES ARE IN MMF, UNLESS NOTED
 K = 1000
 MEG. = 1000,000
 WW = WIREWOUND

**SCHEMATIC OF THE
 HEATHKIT®
 HARMONIC DISTORTION METER
 MODEL IM-12**



0A2

6X4

105-125 V
60 CY