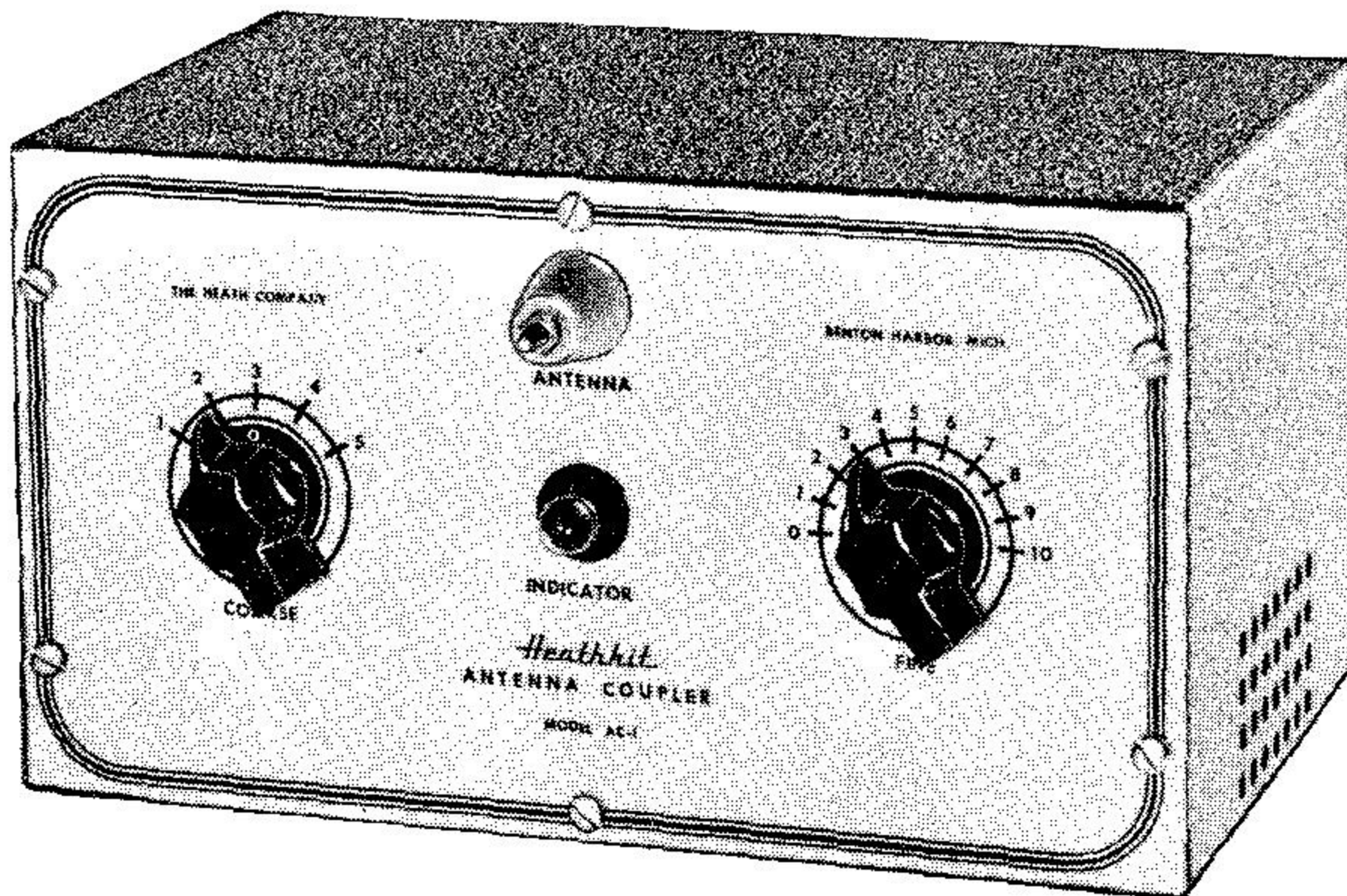


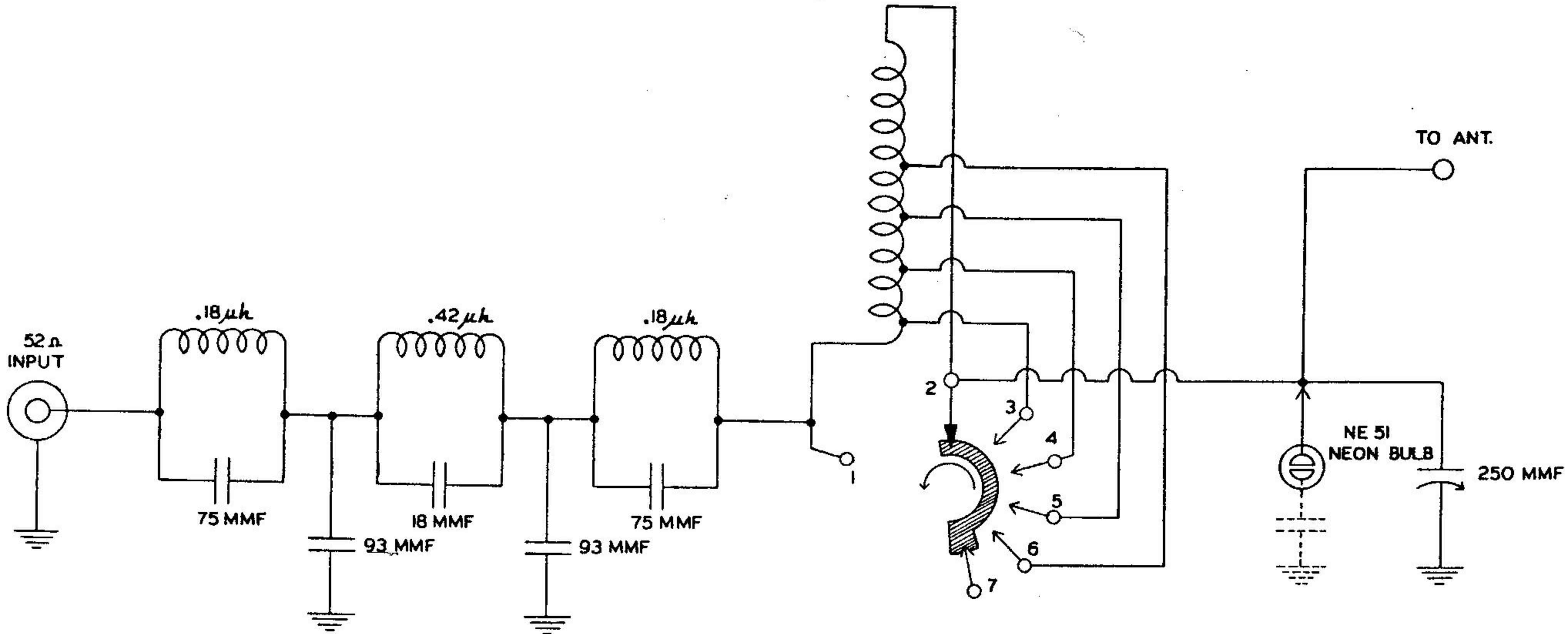
HEATHKIT ANTENNA COUPLER

MODEL AC-1



SPECIFICATIONS

Maximum RF Power Input.....	75 watt
Input Connection.....	52 ohm coaxial cable
Output Connection.....	Single-ended
Low Pass Filter Cut-off Frequency.....	36 megacycles
Dimensions.....	7 1/8" x 4 3/8" x 4 7/8"
Net Weight.....	2 lbs.
Shipping Weight.....	3 lbs.



SCHEMATIC ANTENNA COUPLER