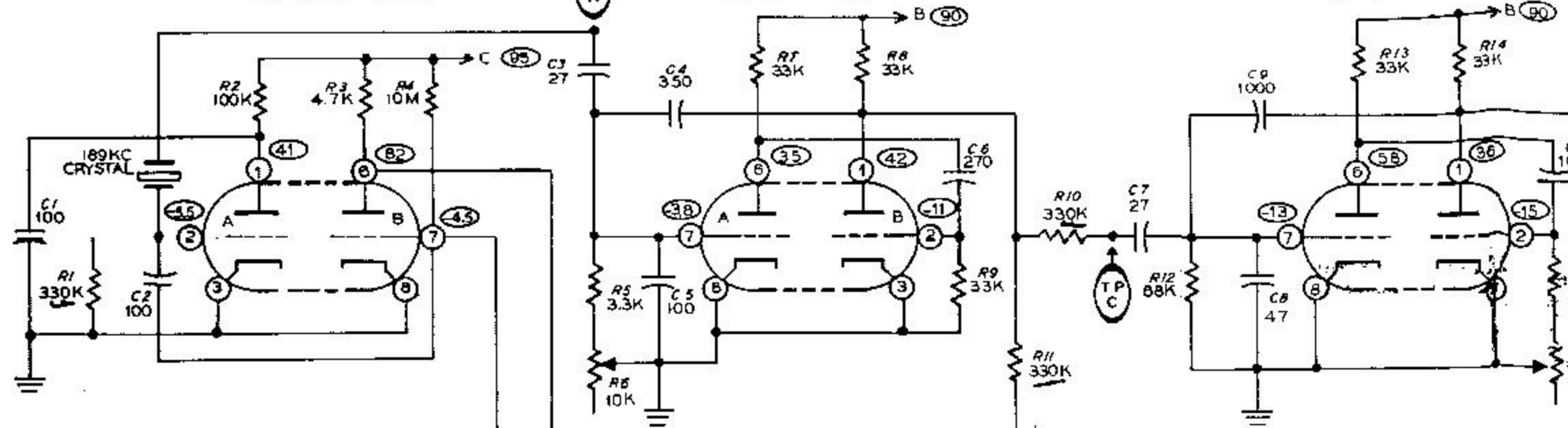


V1 12AT7 189KC

V2 12AT7 31.5KC

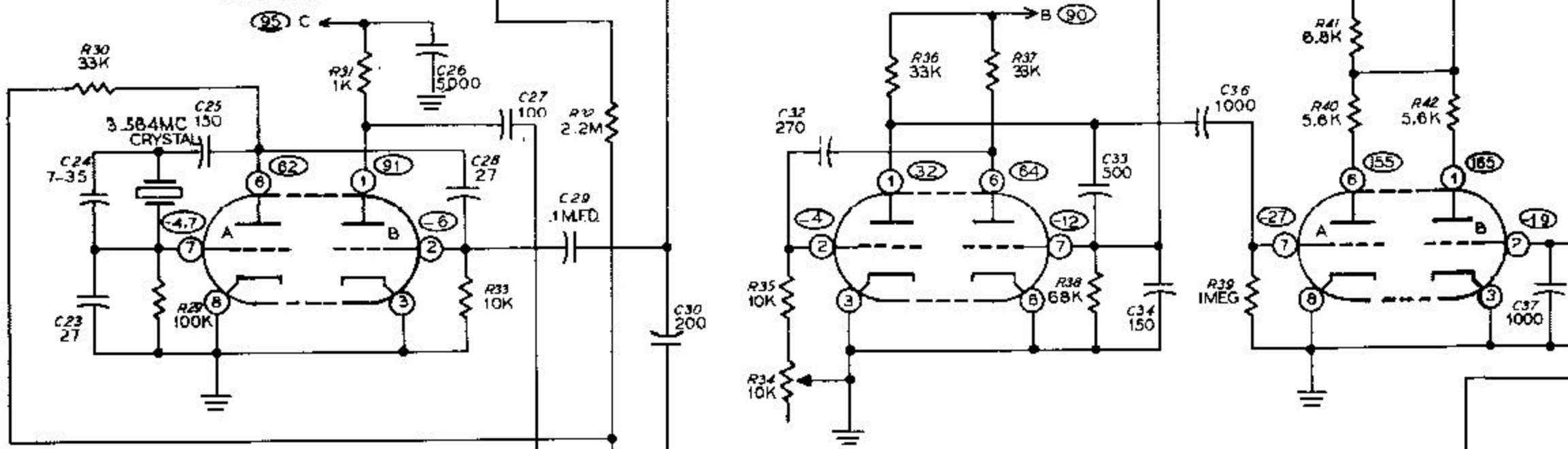
V3 12AU7 4500~



V6 12AT7 3.564 MC

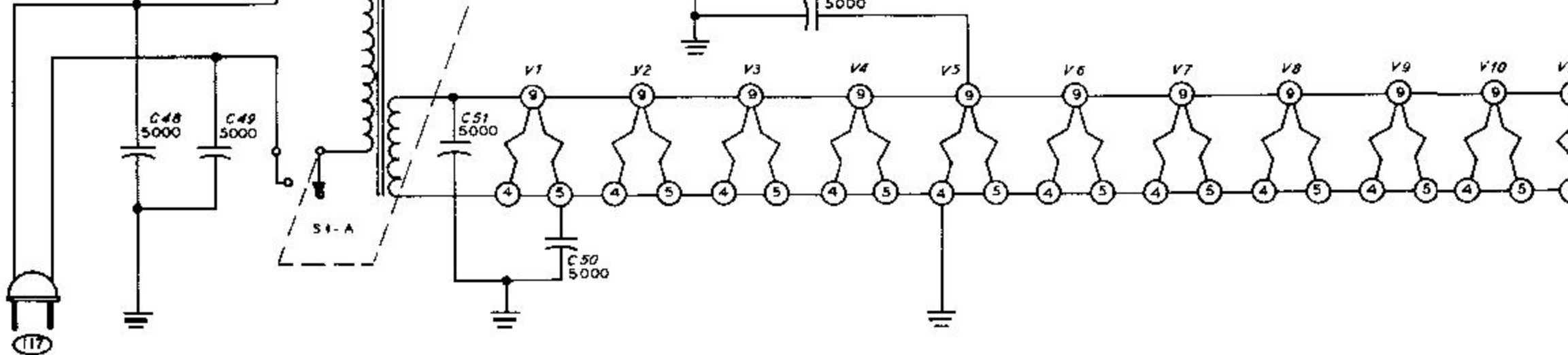
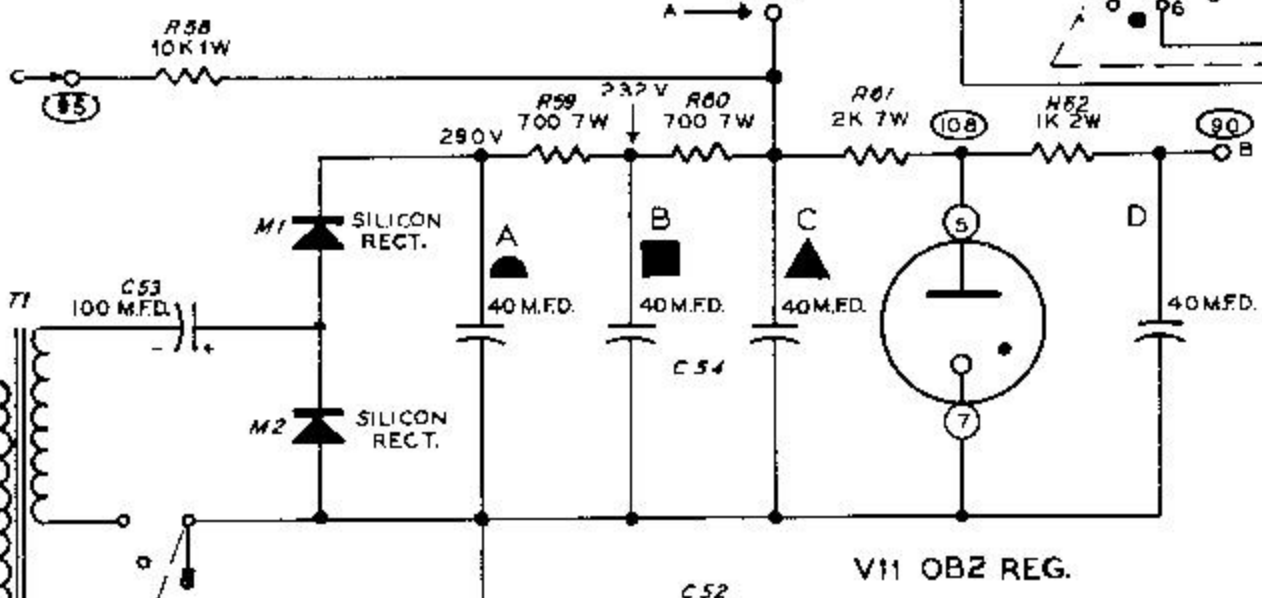
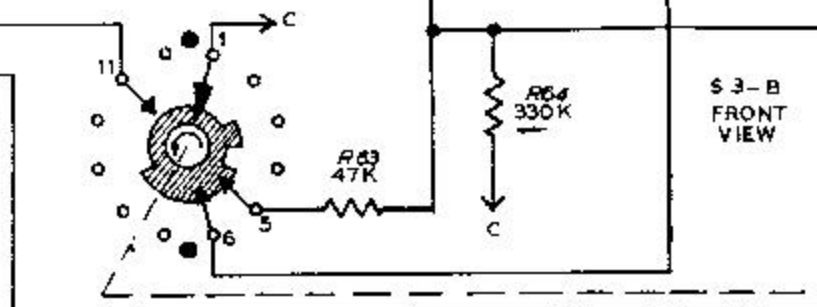
V7 12AT7 15.750KC

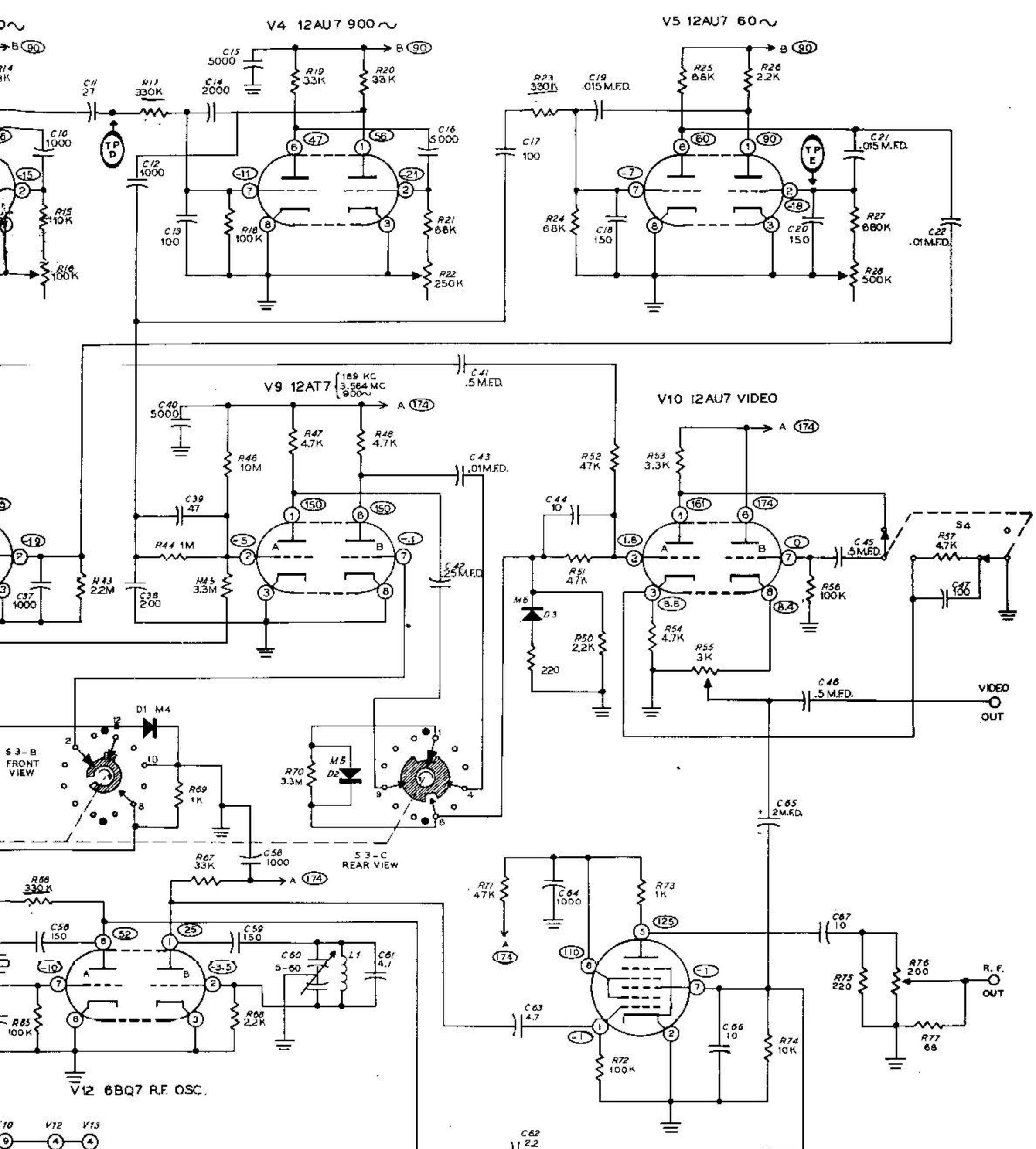
V8 12AT7 15.750 MC



S3-A REAR VIEW

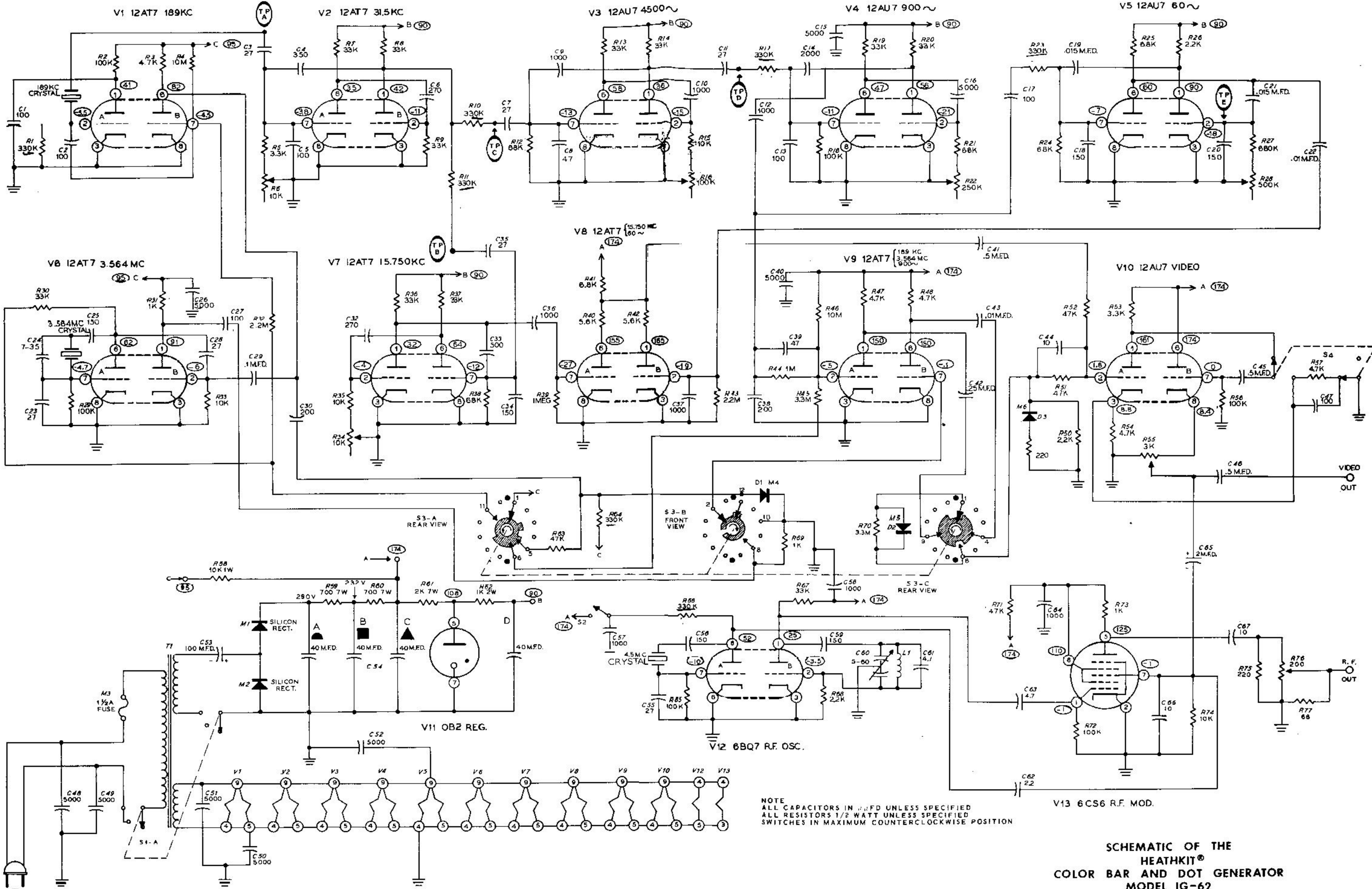
S3-B FRONT VIEW





NOTE
 ALL CAPACITORS IN μ F.D. UNLESS SPECIFIED
 ALL RESISTORS 1/2 WATT UNLESS SPECIFIED
 SWITCHES IN MAXIMUM COUNTERCLOCKWISE POSITION

SCHEMATIC OF THE
 HEATHKIT®
 COLOR BAR AND DOT GENERATOR
 MODEL IG-62



NOTE
 ALL CAPACITORS IN μ F.D. UNLESS SPECIFIED
 ALL RESISTORS 1/2 WATT UNLESS SPECIFIED
 SWITCHES IN MAXIMUM COUNTERCLOCKWISE POSITION

**SCHEMATIC OF THE
 HEATHKIT®
 COLOR BAR AND DOT GENERATOR
 MODEL IG-62**