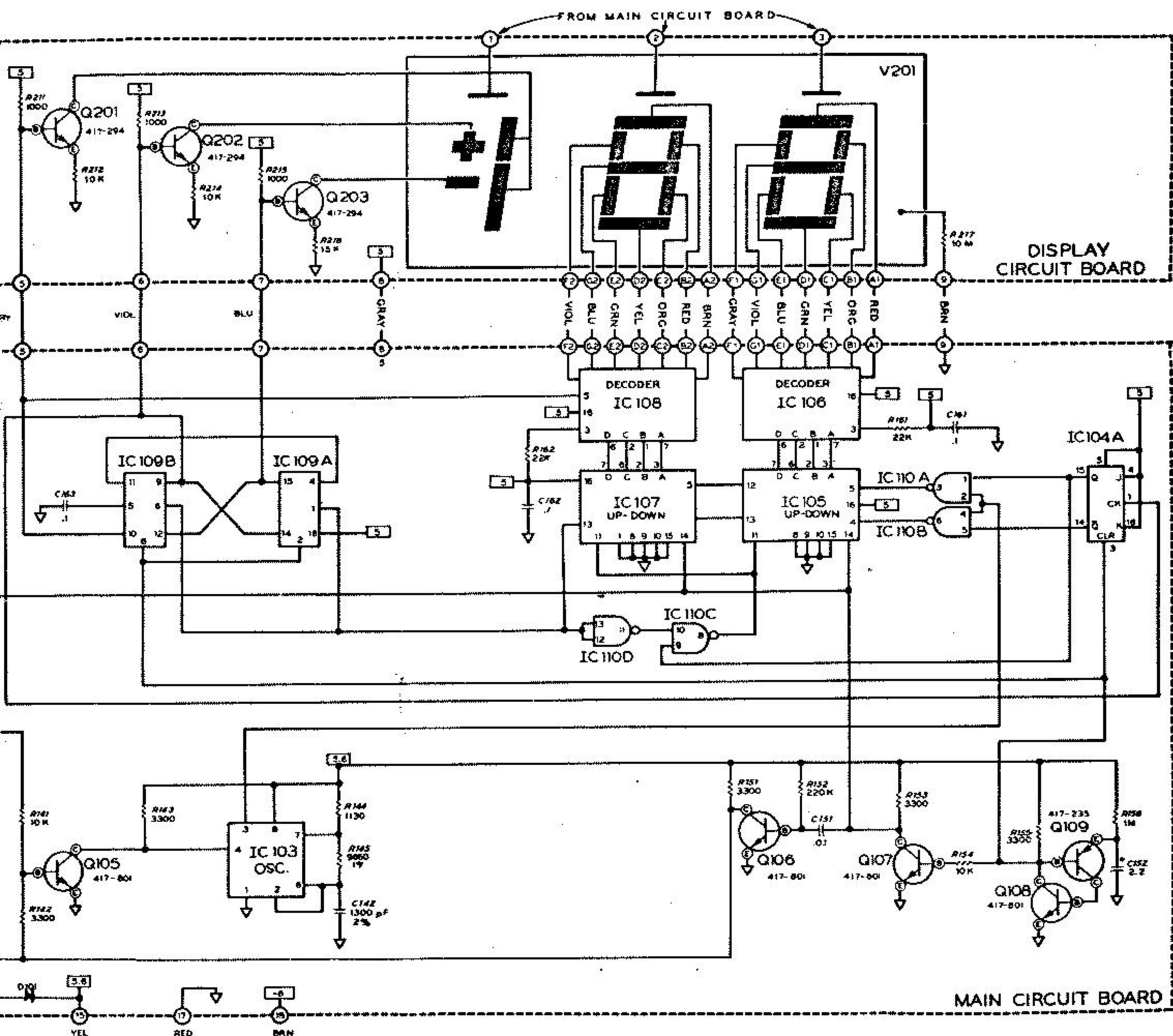


**SCHEMA
 MODEL
 ELECTRO
 THERM**

Copy
 Heat
 All r



SCHEMATIC OF THE MODEL ID-1390 ELECTRONIC DIGITAL THERMOMETER

Copyright ©1973
Heath Company
All rights reserved

NOTES:

1. COMPONENTS ARE NUMBERED IN THE FOLLOWING GROUPS:

100-199	PARTS ON THE MAIN CIRCUIT BOARD.
200-299	PARTS ON THE DISPLAY CIRCUIT BOARD.
300-399	PARTS ON THE REGULATOR CIRCUIT BOARD.
1-99	PARTS NOT PHYSICALLY MOUNTED TO ANY CIRCUIT BOARD.
2. RESISTORS AND CAPACITORS ON THE MAIN CIRCUIT BOARD HAVE BEEN NUMBERED IN GROUPS BY FUNCTIONS. REFER TO THE NUMBERING INDEX DRAWING TO LOCATE RESISTORS AND CAPACITORS.
3. ALL RESISTOR VALUES ARE IN OHMS. K-1,000, M-1,000,000.
4. ALL CAPACITOR VALUES ARE IN μ F UNLESS MARKED OTHERWISE.
5. ∇ INDICATES GROUND ON A CIRCUIT BOARD.
6. $\textcircled{14}$ INDICATES A CIRCUIT BOARD CONNECTION. THE NUMBER IS PRINTED ON THE CIRCUIT BOARD.
7. \square INDICATES A POSITIVE SUPPLY VOLTAGE.
8. INTEGRATED CIRCUITS IC104, IC109, AND IC110, PERFORM MULTIPLE FUNCTIONS. SEGMENTS OF THESE ICs ARE SHOWN WHERE THEY PERFORM IN THE CIRCUIT.