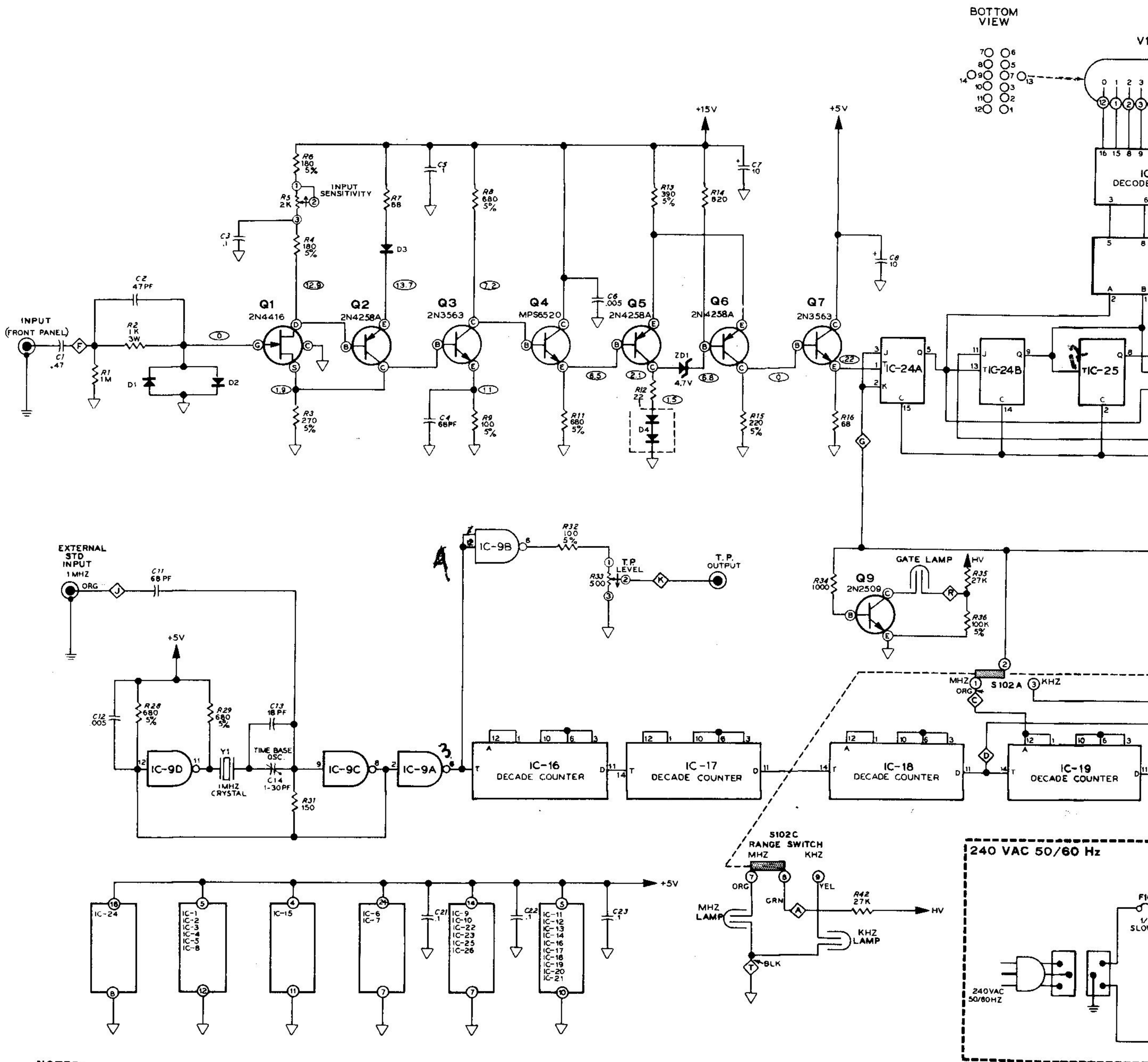


- NOTES:**
1. ALL RESISTORS ARE 1/4 WATT UNLESS MARKED OTHERWISE. RESISTOR VALUES ARE IN OHMS (K=1,000, M=1,000,000).
 2. ALL RESISTORS ARE 10% UNLESS MARKED OTHERWISE.
 3. ALL CAPACITOR VALUES ARE IN μ F UNLESS MARKED OTHERWISE.
 4. REFER TO THE CHASSIS PHOTOGRAPHS AND CIRCUIT BOARD X-RAY VIEWS FOR THE PHYSICAL LOCATION OF PARTS.
 5. ∇ THIS SYMBOL INDICATES A CIRCUIT BOARD GROUND.
 6. \equiv THIS SYMBOL INDICATES A CHASSIS GROUND.
 7. \diamond THIS SYMBOL INDICATES A LETTERED CIRCUIT BOARD CONNECTION.
 8. \circ THIS SYMBOL INDICATES A DC VOLTAGE TAKEN WITH A HIGH IMPEDANCE INPUT VOLTMETER FROM THE POINT INDICATED TO CHASSIS GROUND WITH THE INPUT SHORTED TO GROUND AND THE RANGE SWITCH IN THE MHZ POSITION.
 9. \rightarrow THIS SYMBOL INDICATES A VOLTAGE SUPPLY OUTPUT.
 10. \rightarrow THIS SYMBOL INDICATES A CLOCKWISE ROTATION OF CONTROLS AS VIEWED FROM THE CONTROL END OR ACCESSIBLE SIDE.

**SCHEMATIC OF THE
HEATHKIT®
MODEL IB-1101
FREQUENCY COUNTER**

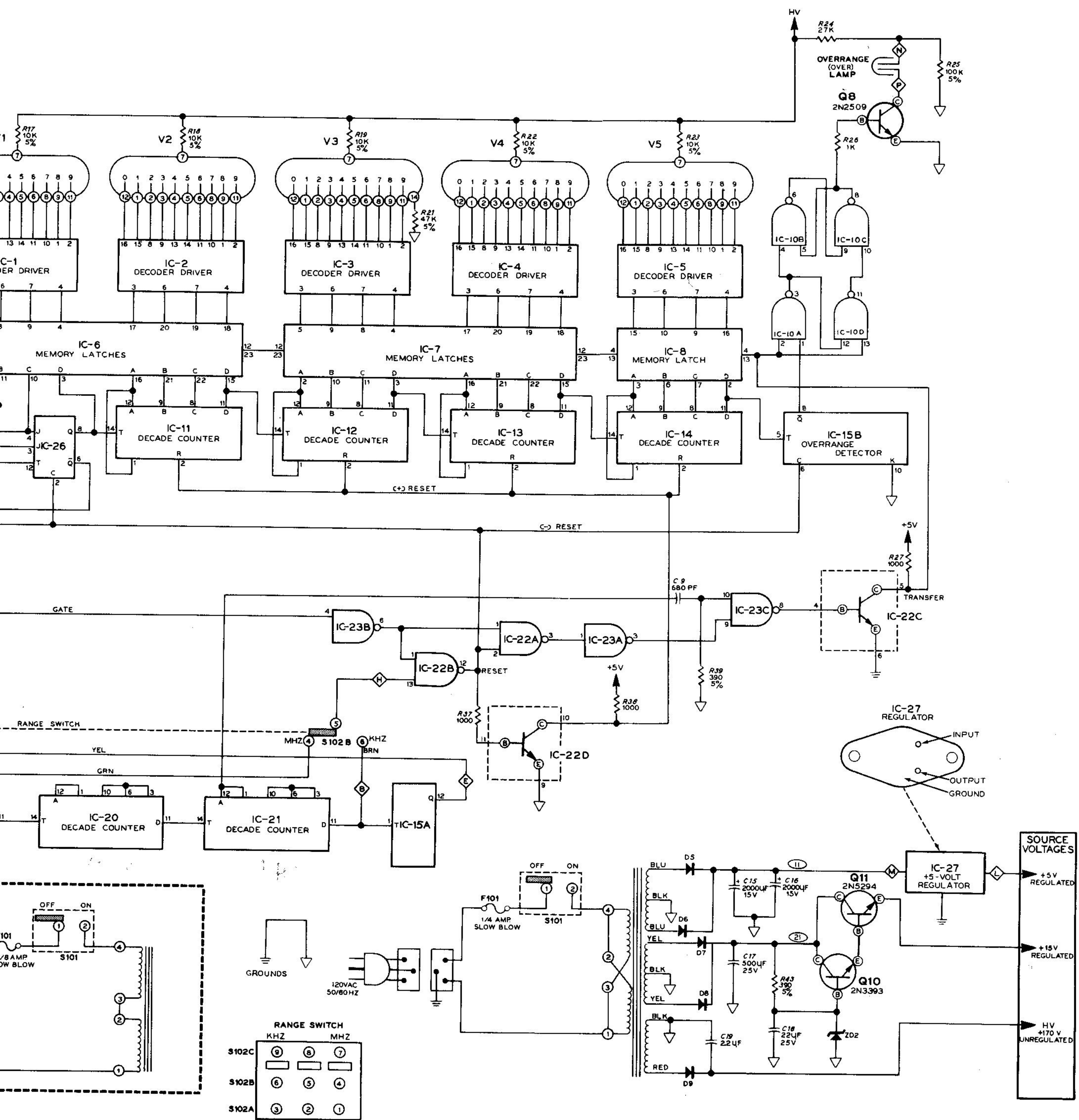
RANGE SWITCH

KHZ	MHZ
S102C	① ② ③
S102B	④ ⑤ ⑥
S102A	⑦ ⑧ ⑨



NOTES:

1. ALL RESISTORS ARE 1/4 WATT UNLESS MARKED OTHERWISE. RESISTOR VALUES ARE IN OHMS (K=1,000, M=1,000,000).
2. ALL RESISTORS ARE 10% UNLESS MARKED OTHERWISE.
3. ALL CAPACITOR VALUES ARE IN μ F UNLESS MARKED OTHERWISE.
4. REFER TO THE CHASSIS PHOTOGRAPHS AND CIRCUIT BOARD X-RAY VIEWS FOR THE PHYSICAL LOCATION OF PARTS.
5. ∇ THIS SYMBOL INDICATES A CIRCUIT BOARD GROUND.
6. \equiv THIS SYMBOL INDICATES A CHASSIS GROUND.
7. \diamond THIS SYMBOL INDICATES A LETTERED CIRCUIT BOARD CONNECTION.
8. \circ THIS SYMBOL INDICATES A DC VOLTAGE TAKEN WITH A HIGH IMPEDANCE INPUT VOLTMETER FROM THE POINT INDICATED TO CHASSIS GROUND WITH THE INPUT SHORTED TO GROUND AND THE RANGE SWITCH IN THE MHZ POSITION.
9. \rightarrow THIS SYMBOL INDICATES A VOLTAGE SUPPLY OUTPUT.
10. \rightarrow THIS SYMBOL INDICATES A CLOCKWISE ROTATION OF CONTROLS AS VIEWED FROM THE CONTROL END OR ACCESSIBLE SIDE.



**SCHEMATIC OF THE
HEATHKIT®
MODEL IB-1101
FREQUENCY COUNTER**