

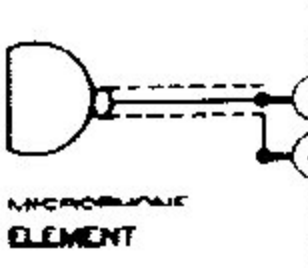
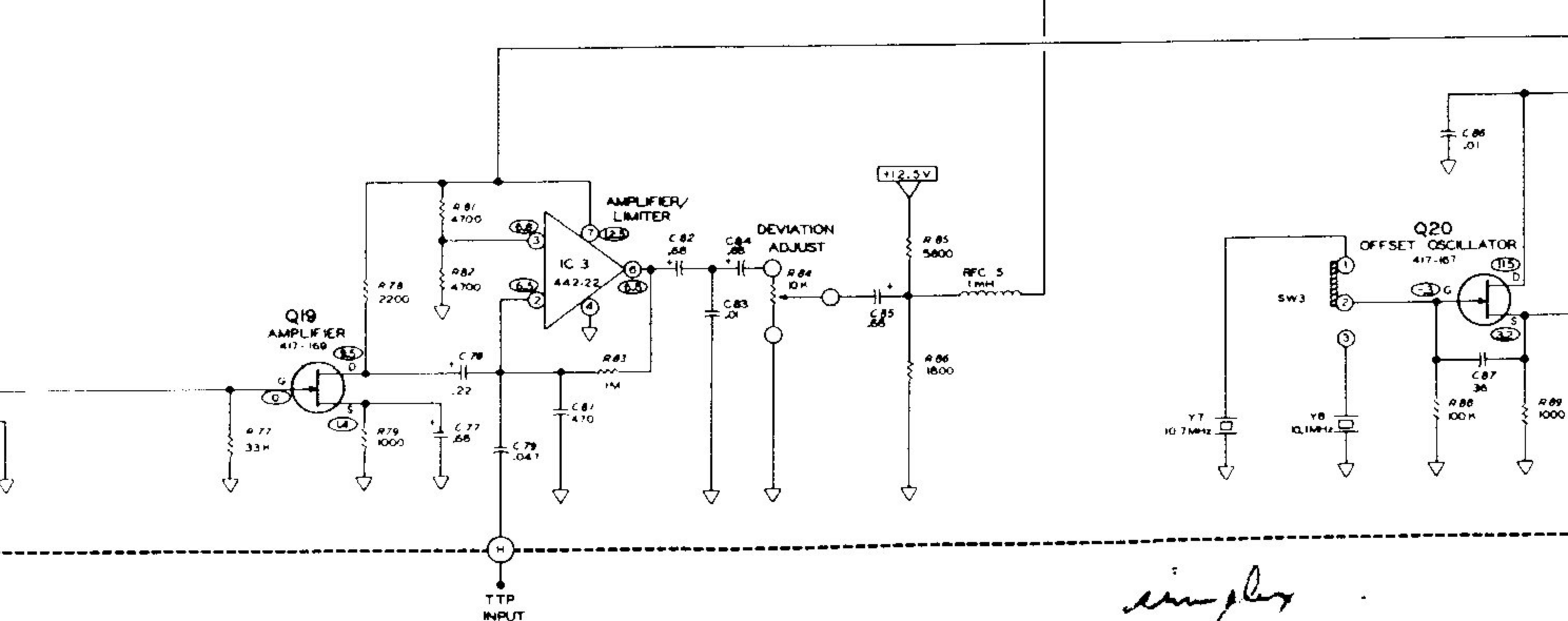
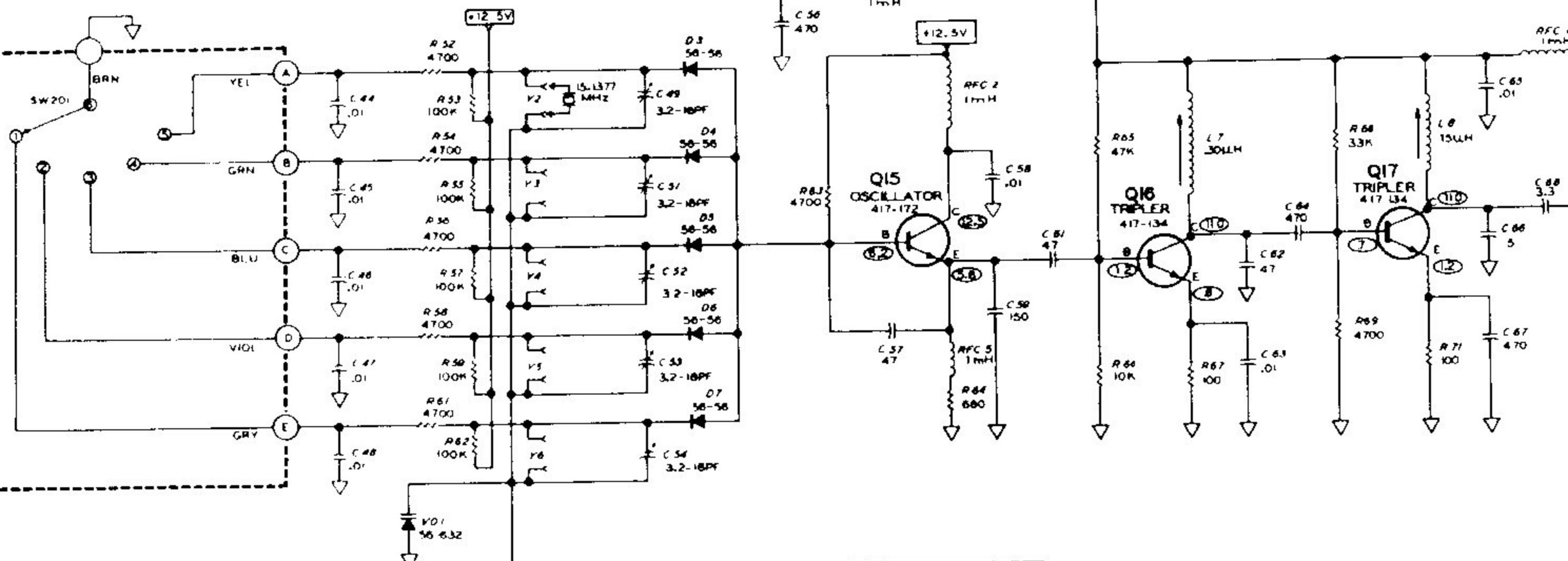
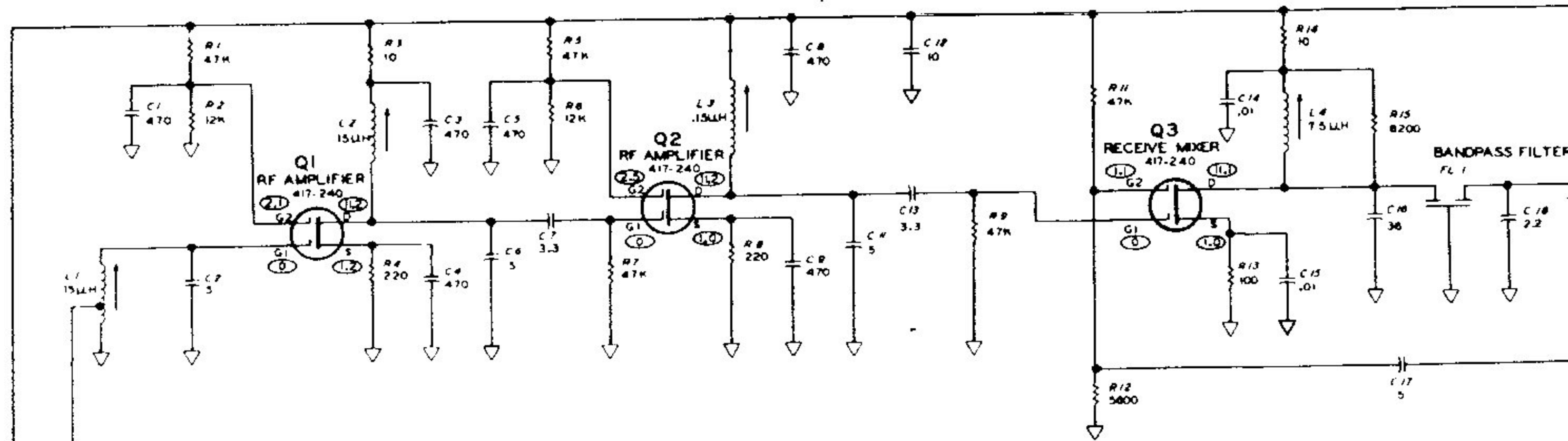
SCHEMATIC OF THE
HEATHKIT[®]
2-METER HAND-HELD TRANSCEIVER
MODEL HW-2021

Copyright © 1975
Heath Company
All Rights Reserved

TABLE 1 SQUELCH CONTROL FULLY CLOCKWISE, NO INPUT SIGNAL					TABLE 2 SQUELCH CONTROL FULLY COUNTER CLOCKWISE, NO INPUT SIGNAL				
	E	B	C			E	B	C	
Q5	.4	1.7	.55	Q5	.5	0	7.0		
Q6	.6	1.7	8.0	Q6	.6	.6	.8		
Q7	.6	1.3	8.0	Q7	.6	.3	5.0		
Q8	0	.7	.1	Q8	0	.3	12.5		
Q9	0	.5	3.6	Q9	0	.7	.1		
Q10	0	.7	.1	Q10	0	.1	1.4		
Q11	-	6.0	-	Q14	12.5	12.5	11.8		

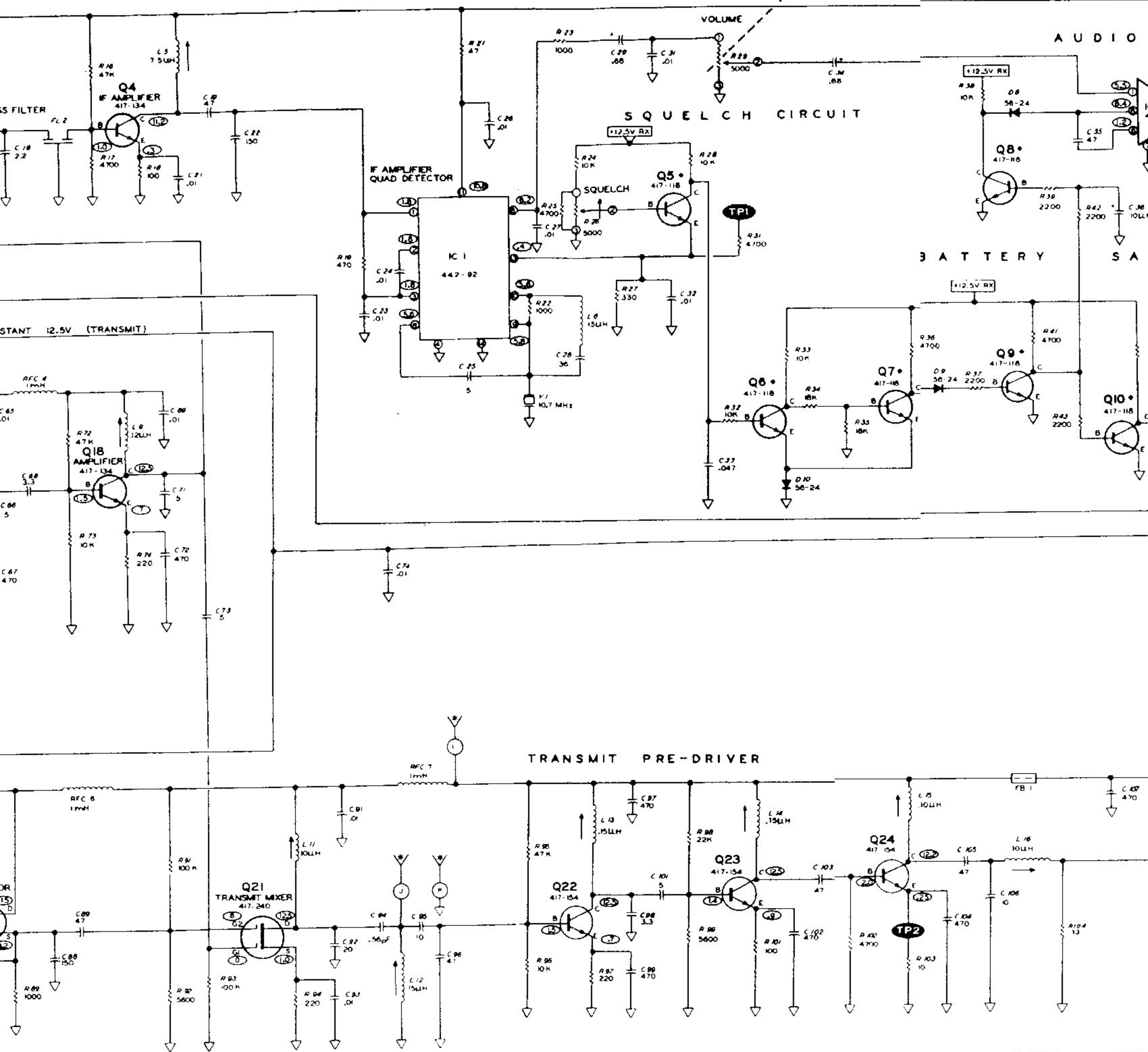
- NOTES:
- COMPONENT NUMBERS ARE IN THE FOLLOWING GROUPS:
1-199 PARTS ON THE MAIN CIRCUIT BOARD
201-299 PARTS IN THE CASE
301-399 PARTS IN THE BATTERY CHARGER
401-499 PARTS ON THE RF DETECTOR
 - ALL RESISTORS ARE 1/4 WATT, 5% TOLERANCE, UNLESS OTHERWISE NOTED. RESISTOR VALUES ARE IN OHMS, K=1000, M=1,000,000
 - CAPACITORS EQUAL TO OR LESS THAN .1 ARE IN nF (PICOFARADS); ALL OTHER CAPACITORS ARE IN pF (MICROFARADS) UNLESS OTHERWISE MARKED
 - INDUCTORS ARE SHOWN IN MH (MILLIHENRIES) AND μ H (MICROHENRIES)
 - THIS SYMBOL INDICATES A DC VOLTAGE MEASUREMENT TAKEN WITH A HIGH INPUT IMPEDANCE VOLTMETER FROM THE POINT INDICATED TO CHASSIS GROUND UNDER THE FOLLOWING CONDITIONS:
1. NO INPUT SIGNAL.
2. SQUELCH CONTROL FULLY CLOCKWISE.
3. VOLUME CONTROL FULLY COUNTERCLOCKWISE.
4. LOWEST FREQUENCY OSCILLATOR (CP+541) SET TO 1.5 MHz.
5. TRANSMITTER VOLTAGES: KEPT WITHOUT MODULATION.
 - THIS SYMBOL INDICATES CHASSIS GROUND
 - THIS SYMBOL INDICATES A SOLDERED CONNECTION TO THE MAIN CIRCUIT BOARD
 - SEE TABLES 1 AND 2 FOR VOLTAGES
 - THIS SYMBOL DENOTES A CHOICE AS MADE BY THE BUILDER
 - REFER TO THE "CIRCUIT BOARD" PAGE 2, LEWIS FOR THE PART LOCATION OF PARTS
 - TP INDICATES TEST POINT
 - INDICATES TEST POINT USED ONLY WHEN ALIGNMENT PERFORMED WITHOUT INSTRUMENTS

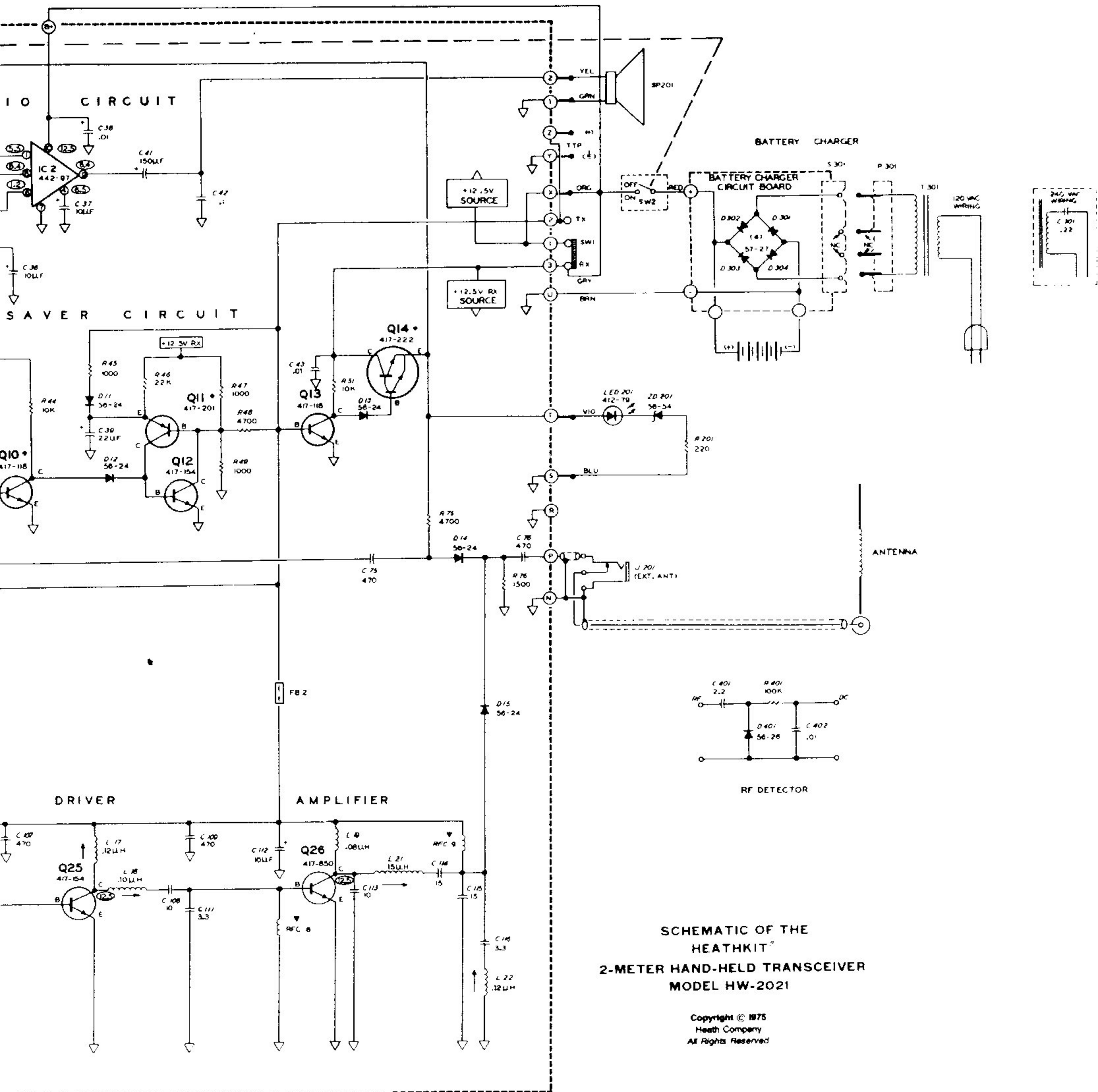
MAIN CIRCUIT BOARD



TTP INPUT

simplex
-LOCK.





**SCHEMATIC OF THE
HEATHKIT[®]
2-METER HAND-HELD TRANSCEIVER
MODEL HW-201**

Copyright © 1975
Heath Company
All Rights Reserved