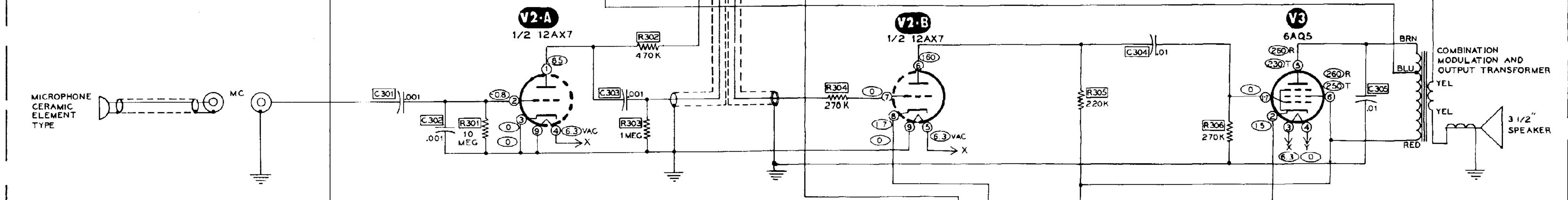
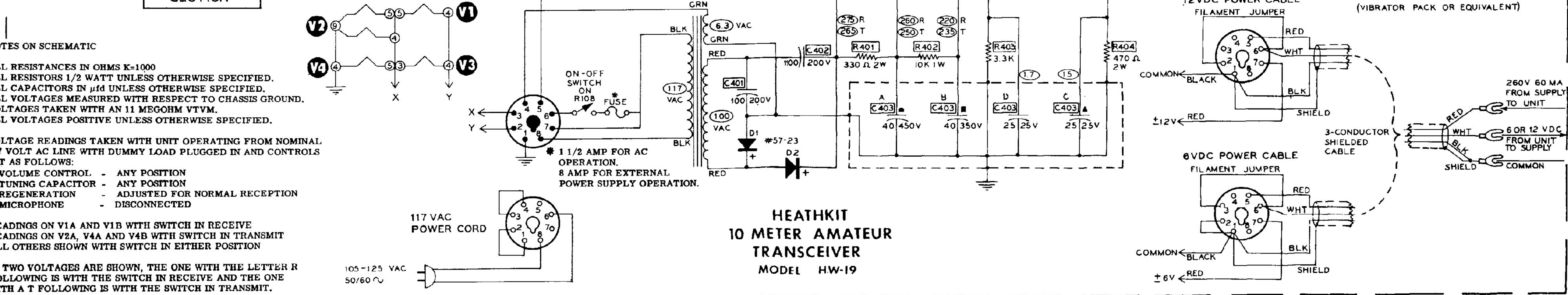


AUDIO SECTION



POWER SUPPLY SECTION



NOTES ON SCHEMATIC

ALL RESISTANCES IN OHMS K=1000
 ALL RESISTORS 1/2 WATT UNLESS OTHERWISE SPECIFIED.
 ALL CAPACITORS IN μ fd UNLESS OTHERWISE SPECIFIED.
 ALL VOLTAGES MEASURED WITH RESPECT TO CHASSIS GROUND.
 VOLTAGES TAKEN WITH AN 11 MEGOHM VTVM.
 ALL VOLTAGES POSITIVE UNLESS OTHERWISE SPECIFIED.

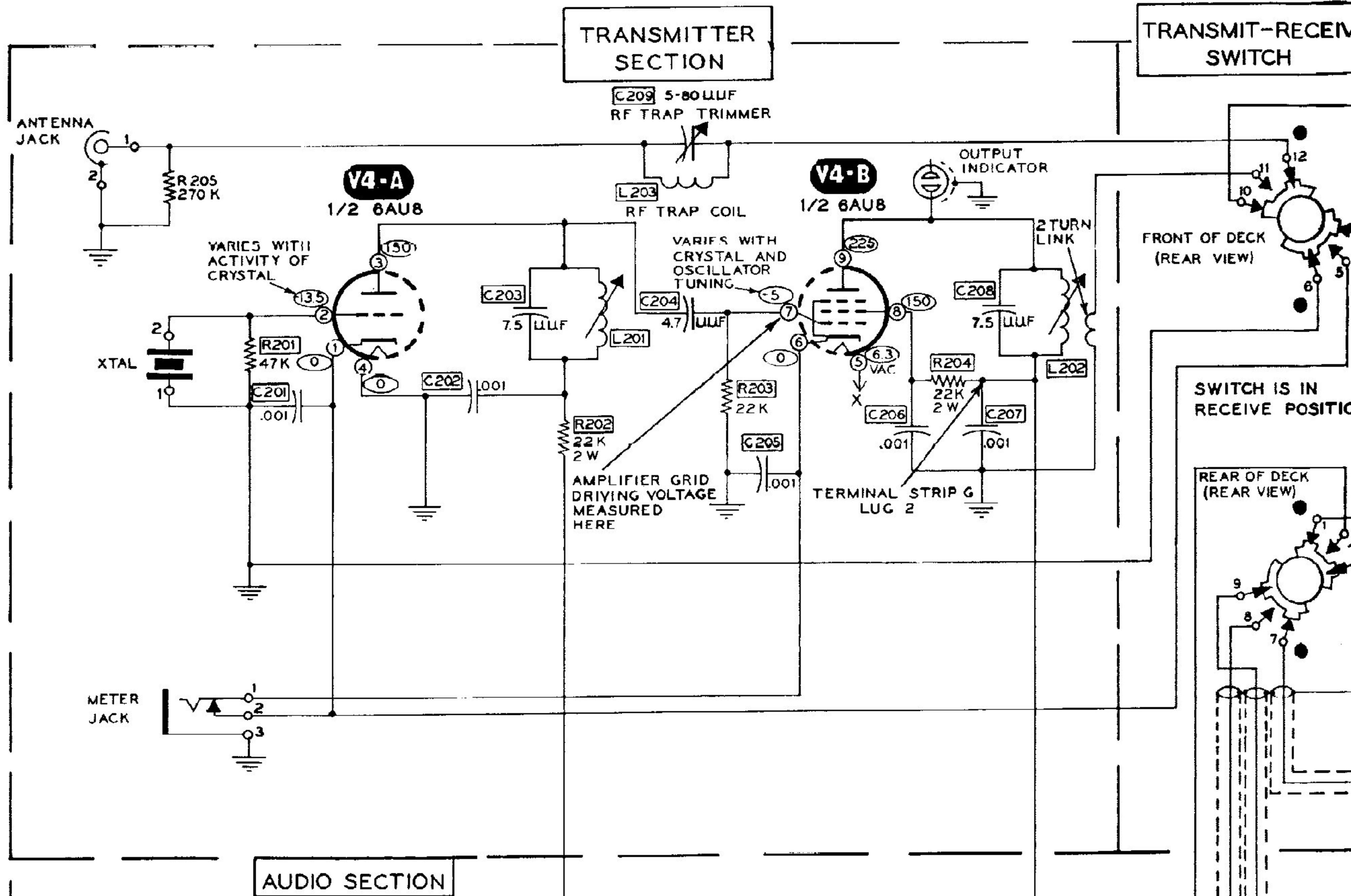
VOLTAGE READINGS TAKEN WITH UNIT OPERATING FROM NOMINAL 117 VOLT AC LINE WITH DUMMY LOAD PLUGGED IN AND CONTROLS SET AS FOLLOWS:

- VOLUME CONTROL - ANY POSITION
- TUNING CAPACITOR - ANY POSITION
- REGENERATION - ADJUSTED FOR NORMAL RECEPTION
- MICROPHONE - DISCONNECTED

READINGS ON V1A AND V1B WITH SWITCH IN RECEIVE
 READINGS ON V2A, V4A AND V4B WITH SWITCH IN TRANSMIT
 ALL OTHERS SHOWN WITH SWITCH IN EITHER POSITION

IF TWO VOLTAGES ARE SHOWN, THE ONE WITH THE LETTER R FOLLOWING IS WITH THE SWITCH IN RECEIVE AND THE ONE WITH A T FOLLOWING IS WITH THE SWITCH IN TRANSMIT.

**HEATHKIT
 10 METER AMATEUR
 TRANSCEIVER
 MODEL HW-19**



V2-A
1/2 12AX7

EIVE

RECEIVER SECTION

TION

VI-A
1/2 6AN8

VI-B
1/2 6AN8

VARIES WITH
SETTING OF
R106

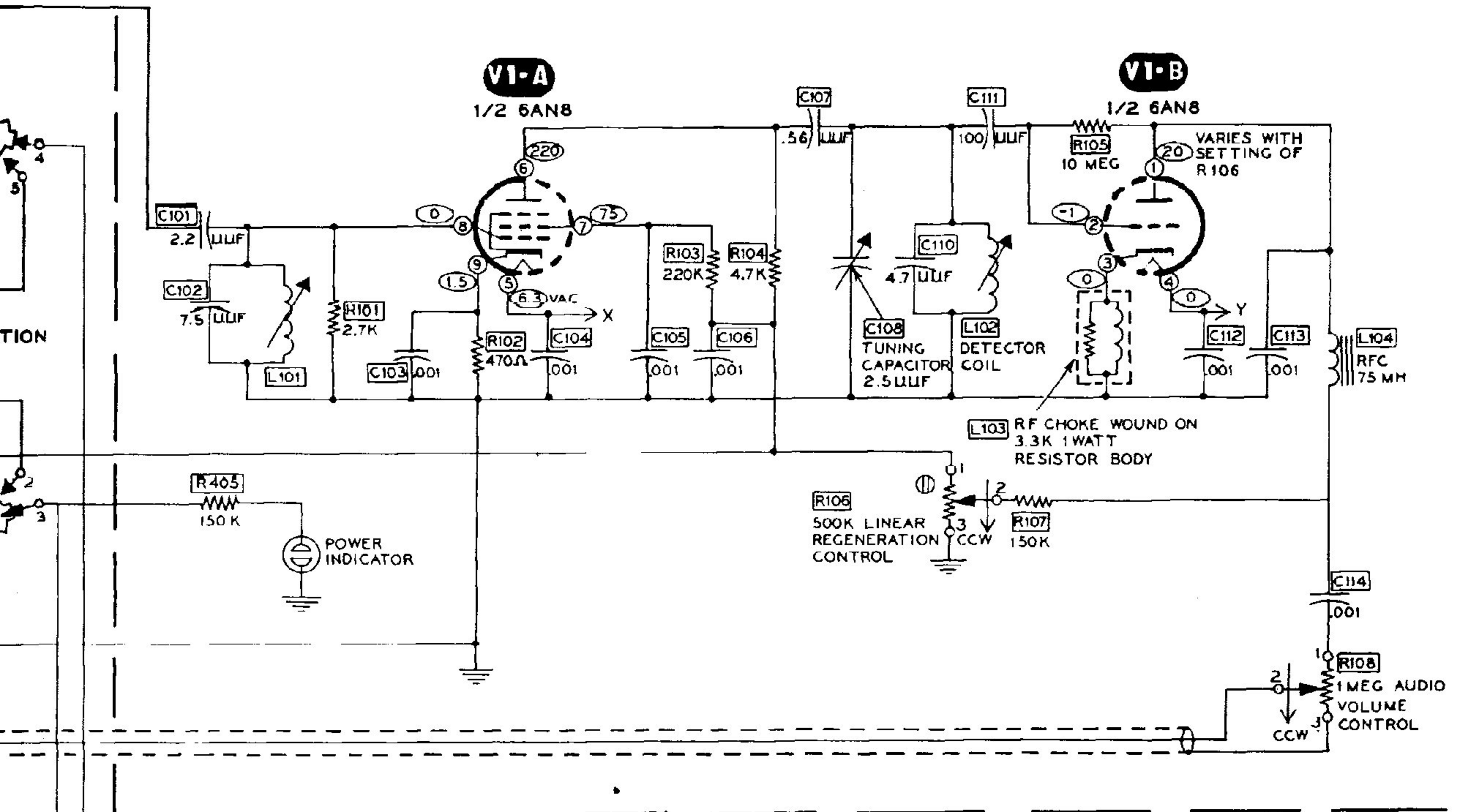
L103 RF CHOKE WOUND ON
3.3K 1WATT
RESISTOR BODY

R106
500K LINEAR
REGENERATION
CONTROL

R108
1MEG AUDIO
VOLUME
CONTROL

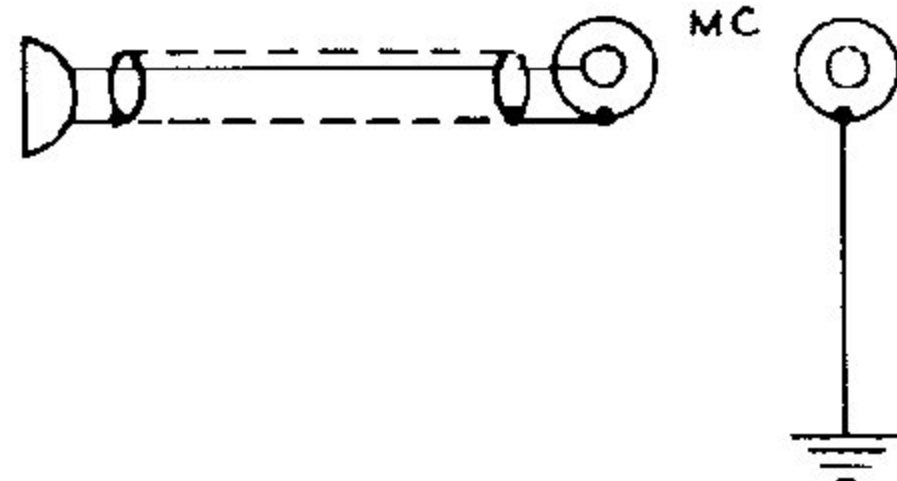
V2-B

V3



AUDIO SECTION

MICROPHONE
CERAMIC
ELEMENT
TYPE



C301 .001

C302 .001
R301 10 MEG

V2-A
1/2 12AX7

(85)

R302 470K

C303 .001

R303 1 MEG

(0) (0) (9) (4) (6.3) VAC → X

POWER SUPPLY SECTION

NOTES ON SCHEMATIC

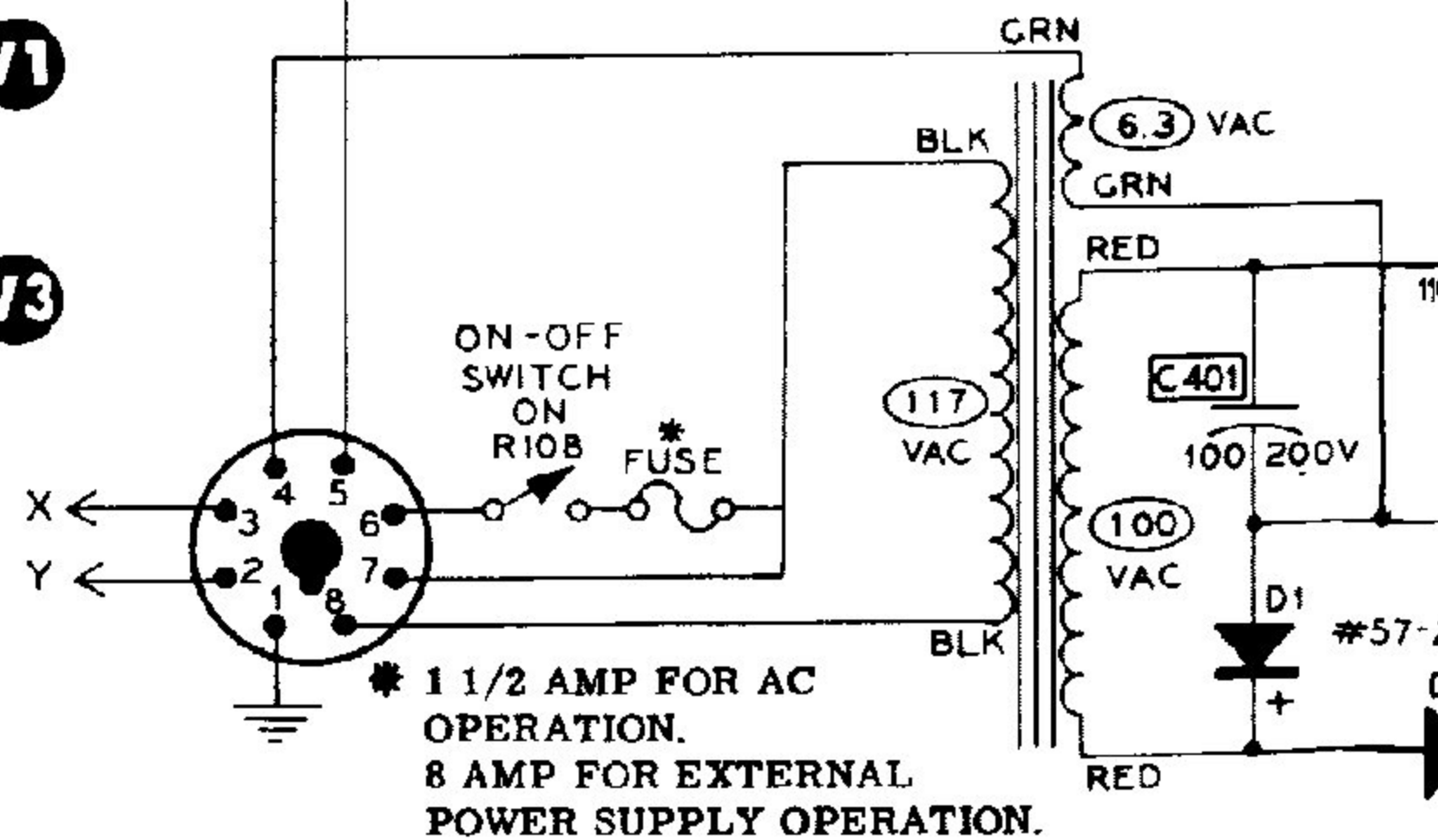
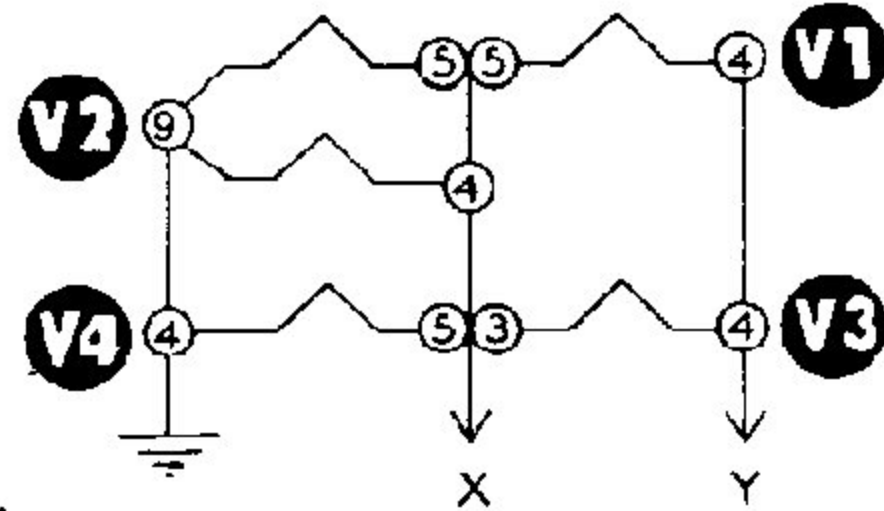
ALL RESISTANCES IN OHMS K=1000
ALL RESISTORS 1/2 WATT UNLESS OTHERWISE SPECIFIED.
ALL CAPACITORS IN μ d UNLESS OTHERWISE SPECIFIED.
ALL VOLTAGES MEASURED WITH RESPECT TO CHASSIS GROUND.
VOLTAGES TAKEN WITH AN 11 MEGOHM VTVM.
ALL VOLTAGES POSITIVE UNLESS OTHERWISE SPECIFIED.

VOLTAGE READINGS TAKEN WITH UNIT OPERATING FROM NOMINAL 117 VOLT AC LINE WITH DUMMY LOAD PLUGGED IN AND CONTROLS SET AS FOLLOWS:

- VOLUME CONTROL - ANY POSITION
- TUNING CAPACITOR - ANY POSITION
- REGENERATION - ADJUSTED FOR NORMAL RECEPTION
- MICROPHONE - DISCONNECTED

READINGS ON V1A AND V1B WITH SWITCH IN RECEIVE
READINGS ON V2A, V4A AND V4B WITH SWITCH IN TRANSMIT
ALL OTHERS SHOWN WITH SWITCH IN EITHER POSITION

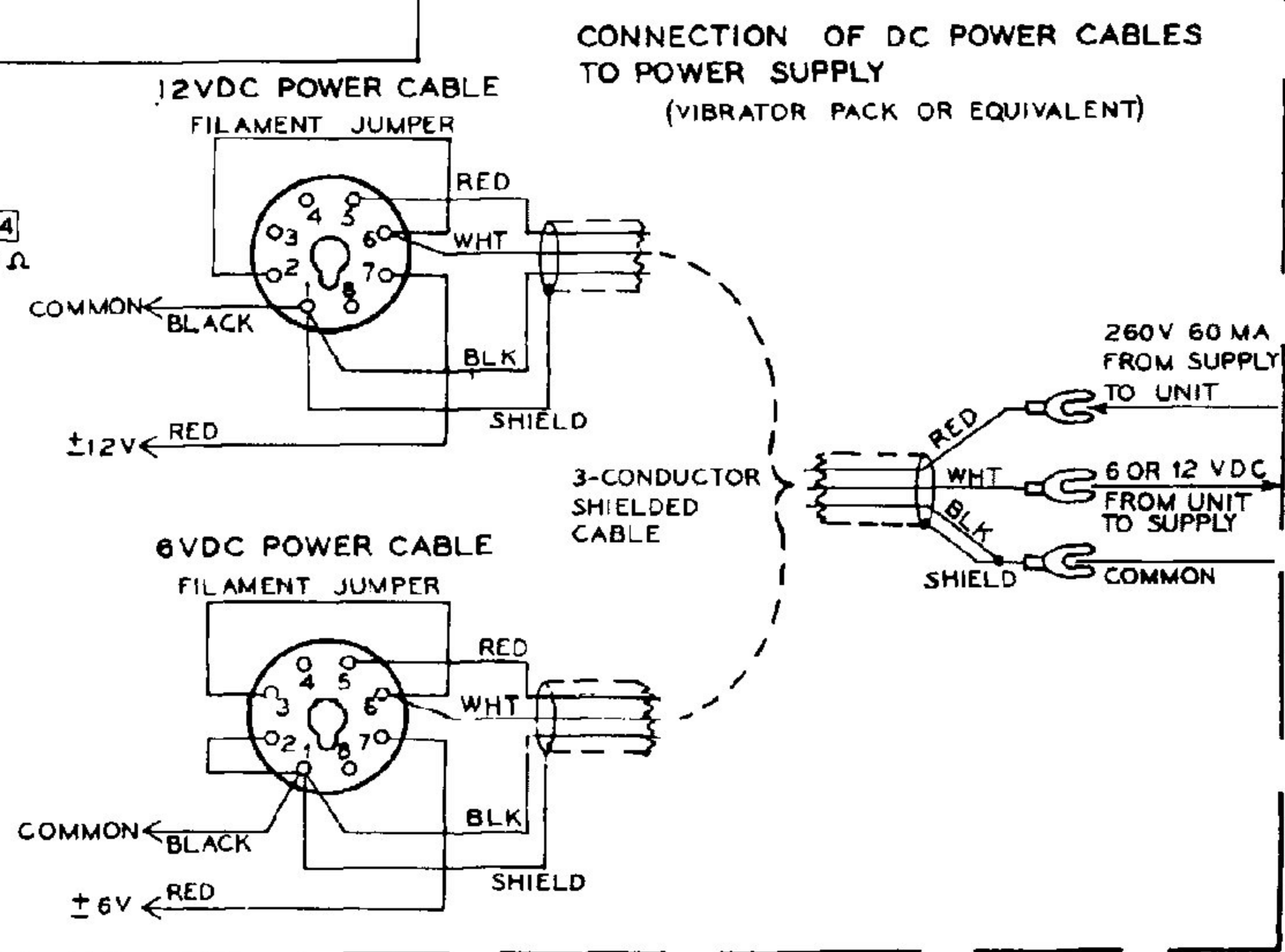
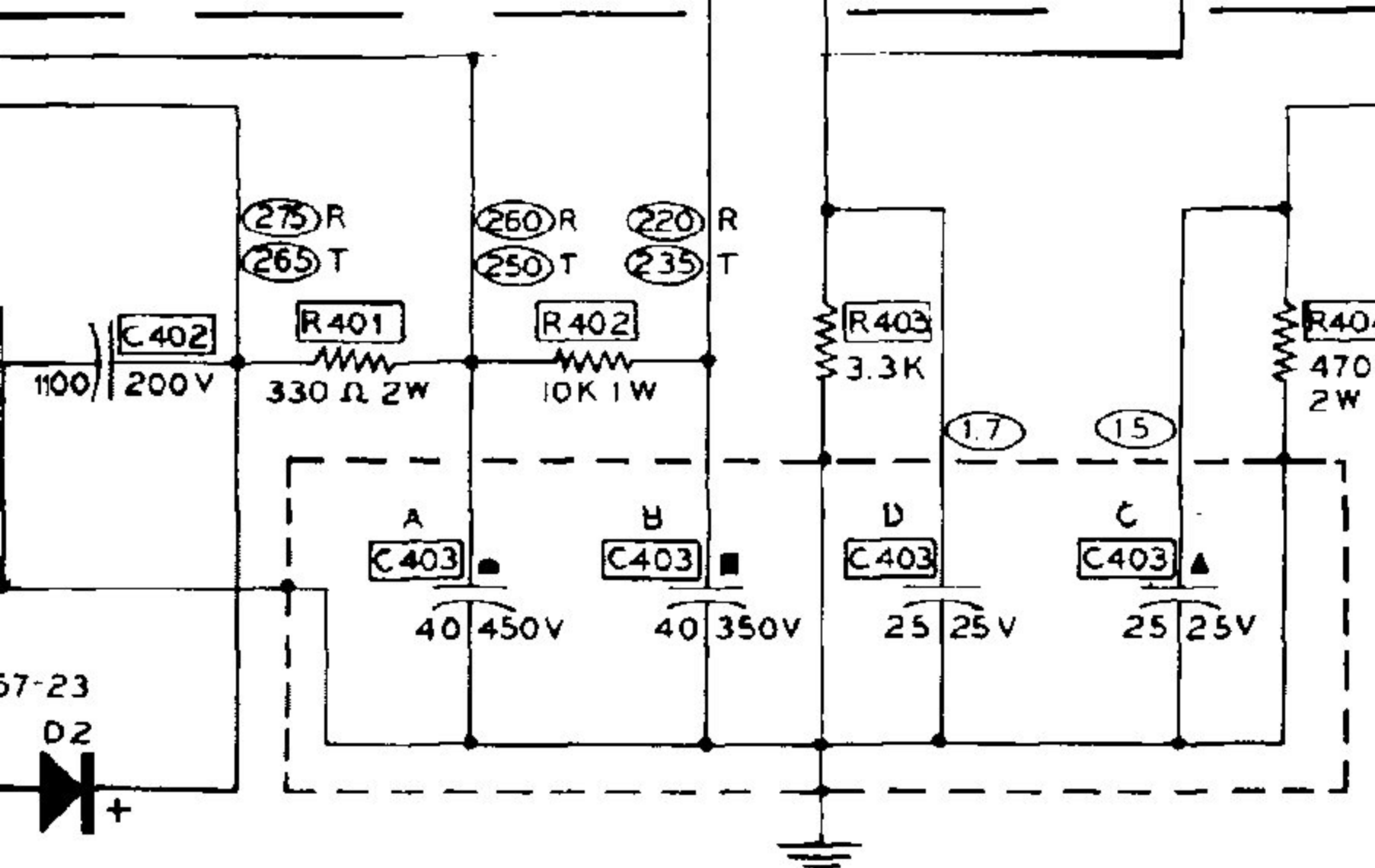
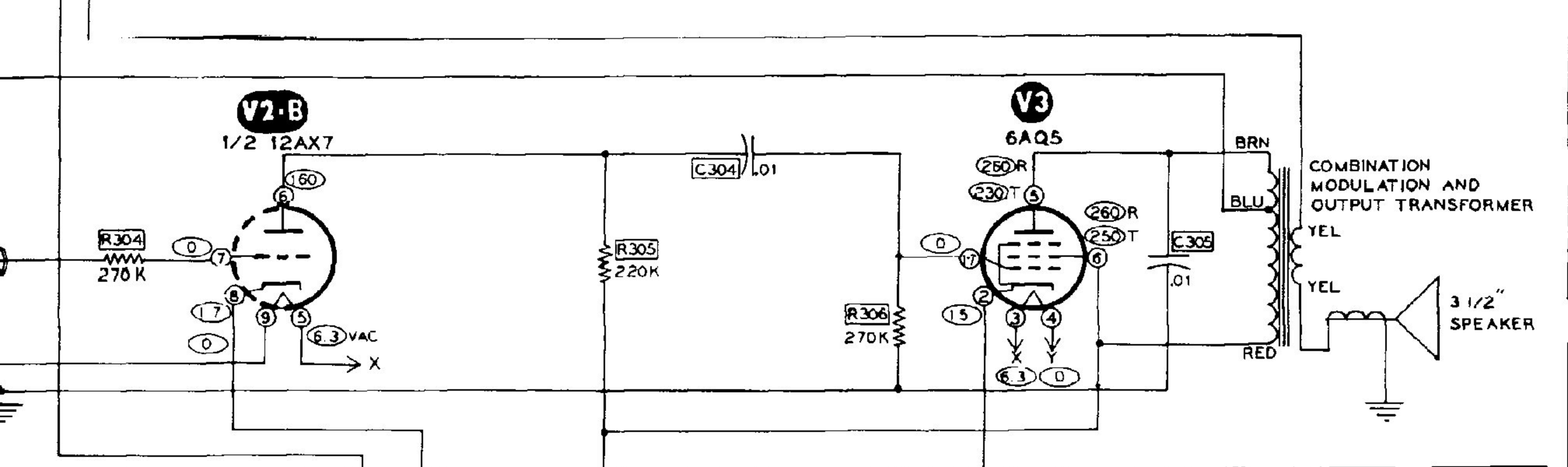
IF TWO VOLTAGES ARE SHOWN, THE ONE WITH THE LETTER R FOLLOWING IS WITH THE SWITCH IN RECEIVE AND THE ONE WITH A T FOLLOWING IS WITH THE SWITCH IN TRANSMIT.



117 VAC
POWER CORD

105-125 VAC
50/60 ~

HE
10 METER
TRAN
MOD



HEATHKIT
 AMATEUR
 TRANSCEIVER
 MODEL HW-19