

specifications

FOR THE



MONITOR SCOPE

MODEL HO-10E

SPECIFICATIONS

VERTICAL AMPLIFIER

Frequency Response	± 3 db from 10 cps to 500 kc.
Sensitivity	500 mv per inch deflection.
Input Resistance	50 K Ω .

HORIZONTAL AMPLIFIER

Frequency Response	± 3 db from 3 cps to 30 kc.
Sensitivity	800 mv per inch deflection.
Input Resistance	1 megohm.

SWEEP GENERATOR

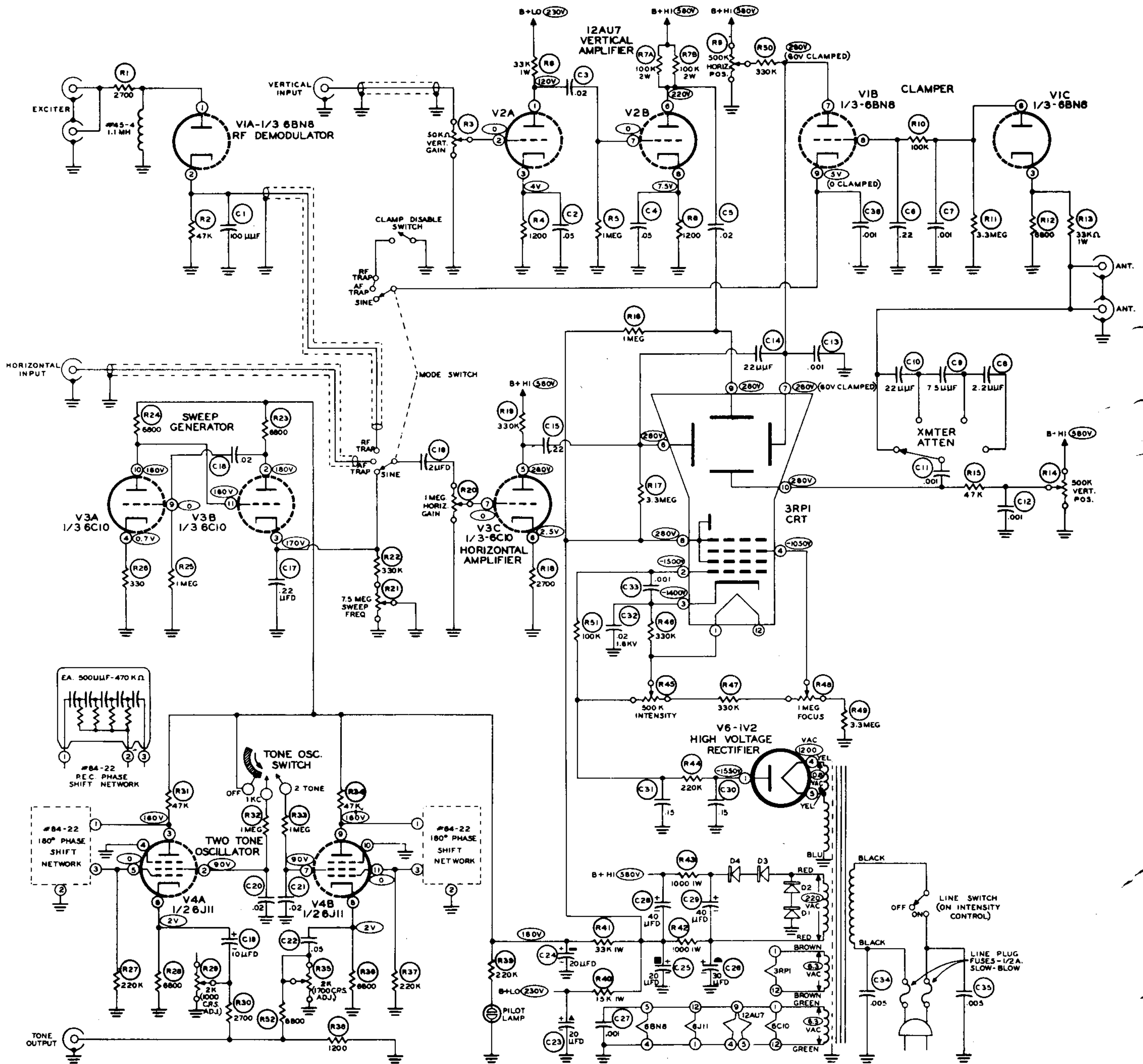
Recurrent Type	Linear sawtooth produced by internal sweep generator.
Frequency	15 to 200 cps (variable).

TONE OSCILLATORS

Frequencies	Approximately 1000 cps and 1700 cps.
Output Voltage	15 mv (nominal).

GENERAL

Frequency Coverage	160 through 6 meters (50-75 Ω coaxial input).
Power Limits (At rear coaxial connector) . . .	5 watts to 1 kilowatt output.



**SCHEMATIC OF THE
HEATHKIT®
AUDIO ANALYZER
MONITOR SCOPE
MODEL HO-10E**

NOTES:

ALL SWITCHES FULL COUNTERCLOCKWISE AS VIEWED FROM FRONT.
 ○ INDICATES VOLTAGE.
 ALL VOLTAGES MEASURED WITH 20,000 Ω/VOLT (OR HIGHER) METER.
 ALL VOLTAGES MEASURED FROM POINT INDICATED TO GROUND EXCEPT AC TRANSFORMER VOLTAGES.
 ALL RESISTORS 1/2 WATT UNLESS OTHERWISE SHOWN.
 ALL CAPACITORS LISTED ARE IN μF UNLESS OTHERWISE SHOWN.