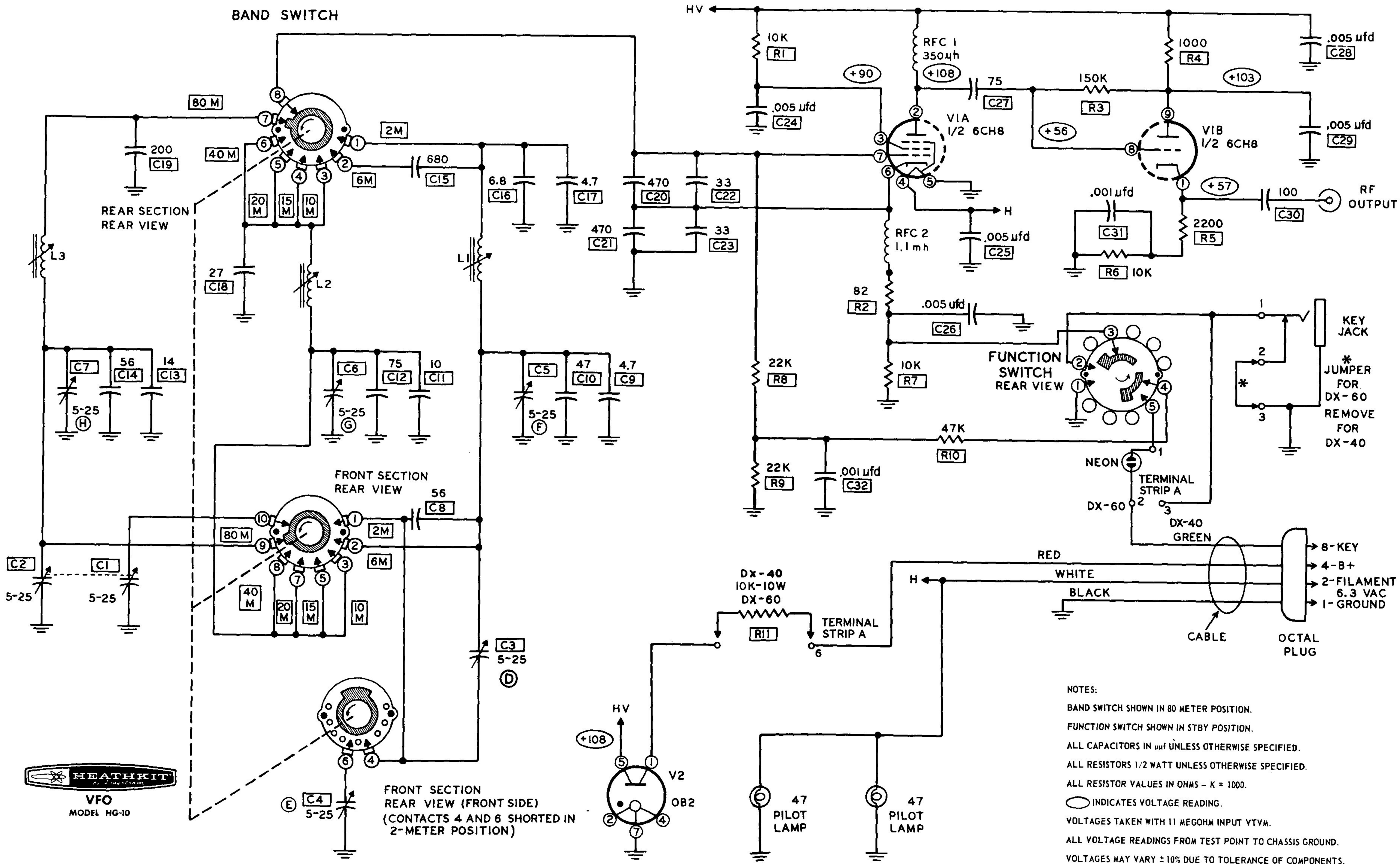


VARIABLE FREQUENCY OSCILLATOR

MODEL HG-10

SPECIFICATIONS

Band Coverage.	<table><thead><tr><th><u>Band</u> <u>(Meters)</u></th><th><u>Dial</u> <u>Calibration (mc)</u></th><th><u>Output</u> <u>Frequency (mc)</u></th></tr></thead><tbody><tr><td>80</td><td>3.5 to 4</td><td>3.5 to 4</td></tr><tr><td>40</td><td>7 to 7.4</td><td>7 to 7.425</td></tr><tr><td>20</td><td>14 to 14.8</td><td>7 to 7.425</td></tr><tr><td>15</td><td>21 to 22.2</td><td>7 to 7.425</td></tr><tr><td>10</td><td>28 to 29.7</td><td>7 to 7.425</td></tr><tr><td>8</td><td>50 to 54</td><td>8.333 to 9</td></tr><tr><td>2</td><td>144 to 148</td><td>8 to 8.222</td></tr></tbody></table>	<u>Band</u> <u>(Meters)</u>	<u>Dial</u> <u>Calibration (mc)</u>	<u>Output</u> <u>Frequency (mc)</u>	80	3.5 to 4	3.5 to 4	40	7 to 7.4	7 to 7.425	20	14 to 14.8	7 to 7.425	15	21 to 22.2	7 to 7.425	10	28 to 29.7	7 to 7.425	8	50 to 54	8.333 to 9	2	144 to 148	8 to 8.222
<u>Band</u> <u>(Meters)</u>	<u>Dial</u> <u>Calibration (mc)</u>	<u>Output</u> <u>Frequency (mc)</u>																							
80	3.5 to 4	3.5 to 4																							
40	7 to 7.4	7 to 7.425																							
20	14 to 14.8	7 to 7.425																							
15	21 to 22.2	7 to 7.425																							
10	28 to 29.7	7 to 7.425																							
8	50 to 54	8.333 to 9																							
2	144 to 148	8 to 8.222																							
Load Impedance	50,000 Ω or more.																								
Output Voltage	5 volts rms, open circuit, minimum all bands.																								
Output Connector	Phono-type socket.																								
Controls.	FUNCTION switch (STBY-OPR-SPOT), FREQUENCY (variable capacitor), BAND switch.																								
Tube Complement.	1 - 6CH8, Oscillator-Cathode follower. 1 - OB2, Voltage regulator.																								
Power Requirements.	108 volts DC at 25 milliamperes and 6.3 volts AC or DC at 0.75 ampere. (These voltages are provided directly from the accessory socket of the HEATHKIT DX-60 and DX-40 Transmitters; a minor circuit change in the VFO is required for the DX-40.)																								
Dimensions.	9-3/8" wide x 6-1/2" high x 8-1/8" deep.																								
Net Weight.	9-1/2 lbs.																								
Shipping Weight.	12 lbs.																								



HEATHKIT
VFO
MODEL HG-10

FRONT SECTION
REAR VIEW (FRONT SIDE)
(CONTACTS 4 AND 6 SHORTED IN
2-METER POSITION)

- NOTES:
- BAND SWITCH SHOWN IN 80 METER POSITION.
 - FUNCTION SWITCH SHOWN IN STBY POSITION.
 - ALL CAPACITORS IN μfd UNLESS OTHERWISE SPECIFIED.
 - ALL RESISTORS 1/2 WATT UNLESS OTHERWISE SPECIFIED.
 - ALL RESISTOR VALUES IN OHMS - K = 1000.
 - INDICATES VOLTAGE READING.
 - VOLTAGES TAKEN WITH 11 MEGOHM INPUT VTVM.
 - ALL VOLTAGE READINGS FROM TEST POINT TO CHASSIS GROUND.
 - VOLTAGES MAY VARY $\pm 10\%$ DUE TO TOLERANCE OF COMPONENTS.

- OCTAL PLUG
- 8- KEY
 - 4-B+
 - 2-FILAMENT
 - 6.3 VAC
 - 1-GROUND

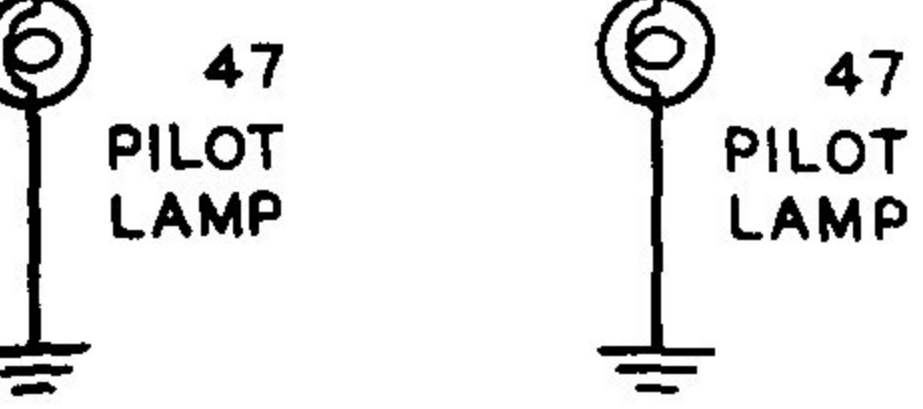
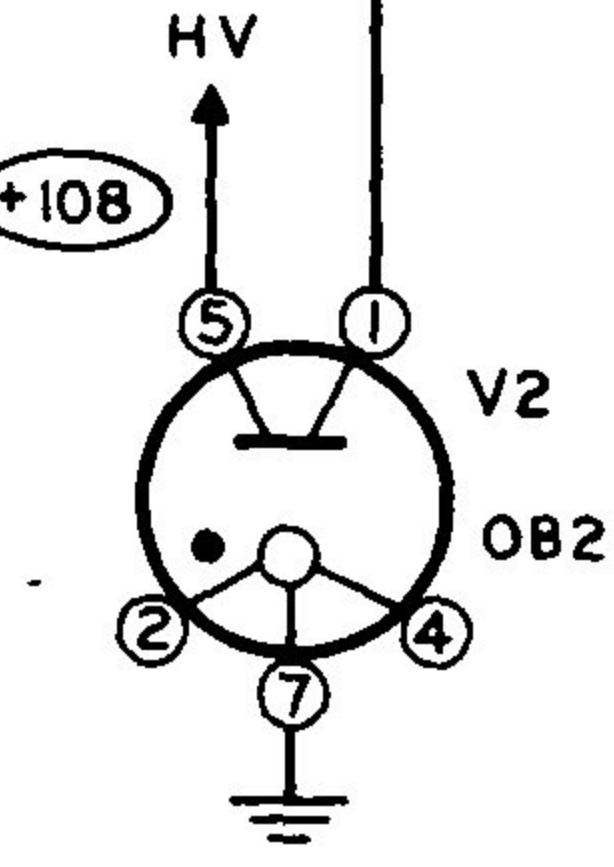
KEY JACK

* JUMPER FOR
DX-60
REMOVE FOR
DX-40

NEON
TERMINAL STRIP A
DX-60
DX-40
GREEN

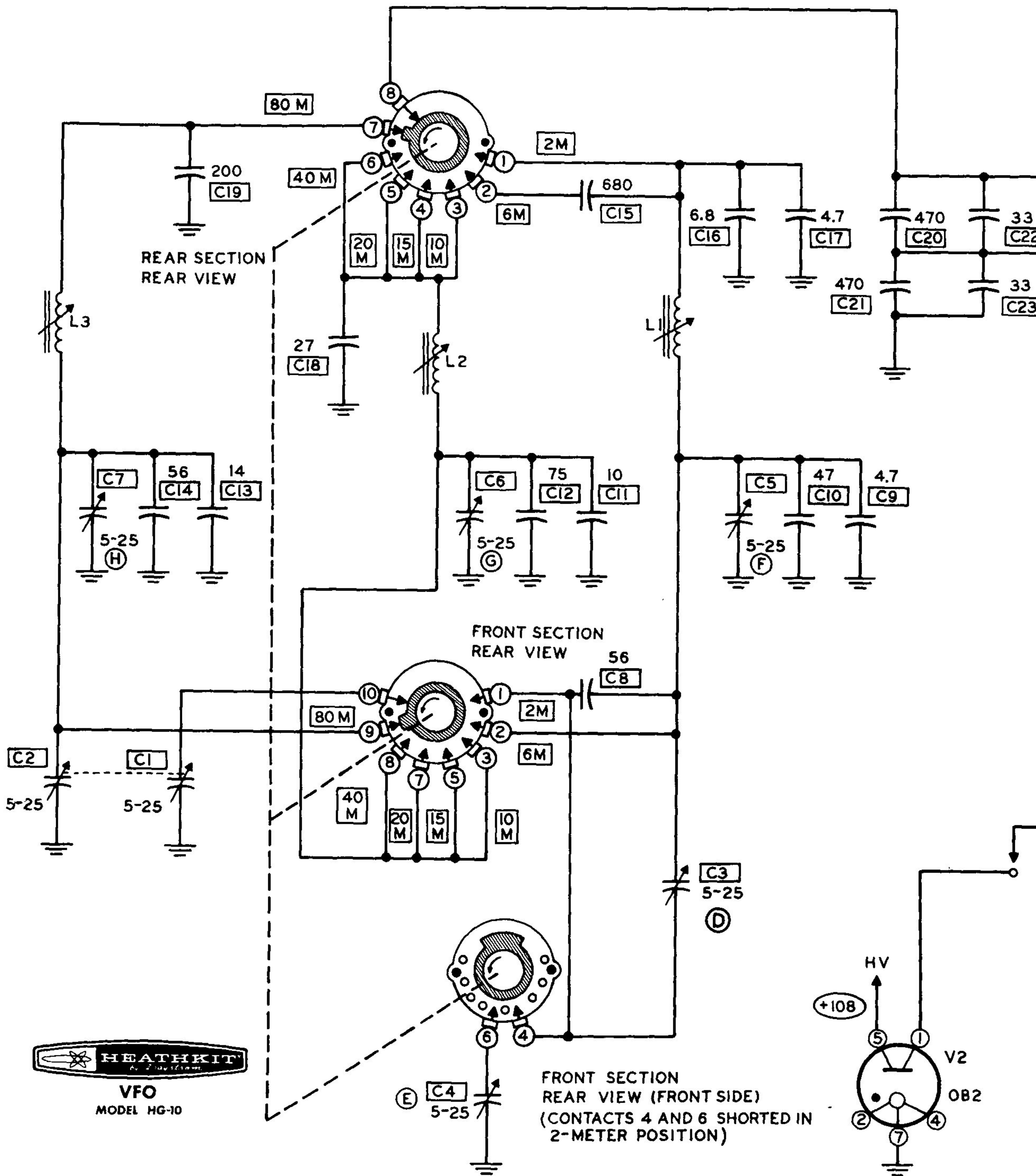
Dx-40
10K-10W
DX-60

TERMINAL STRIP A



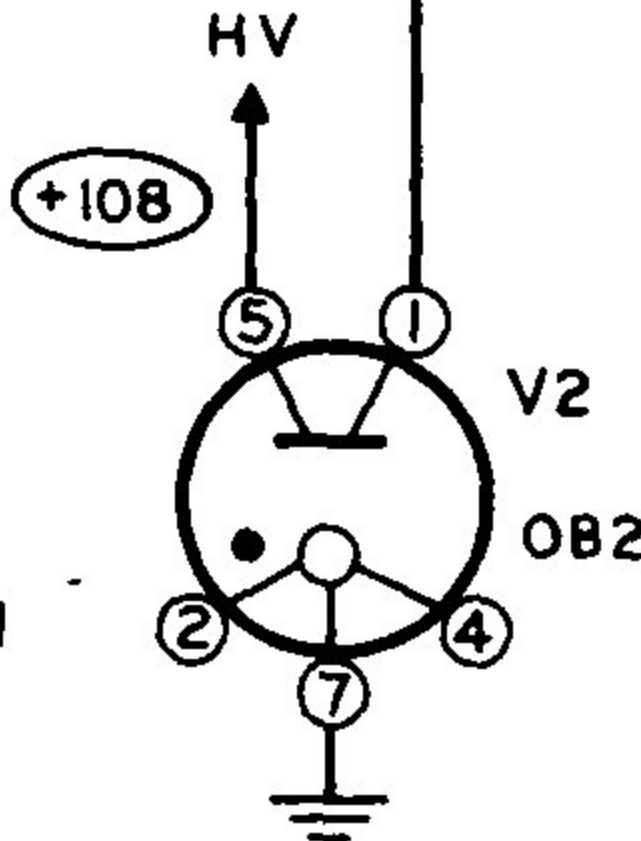
BAND SWITCH

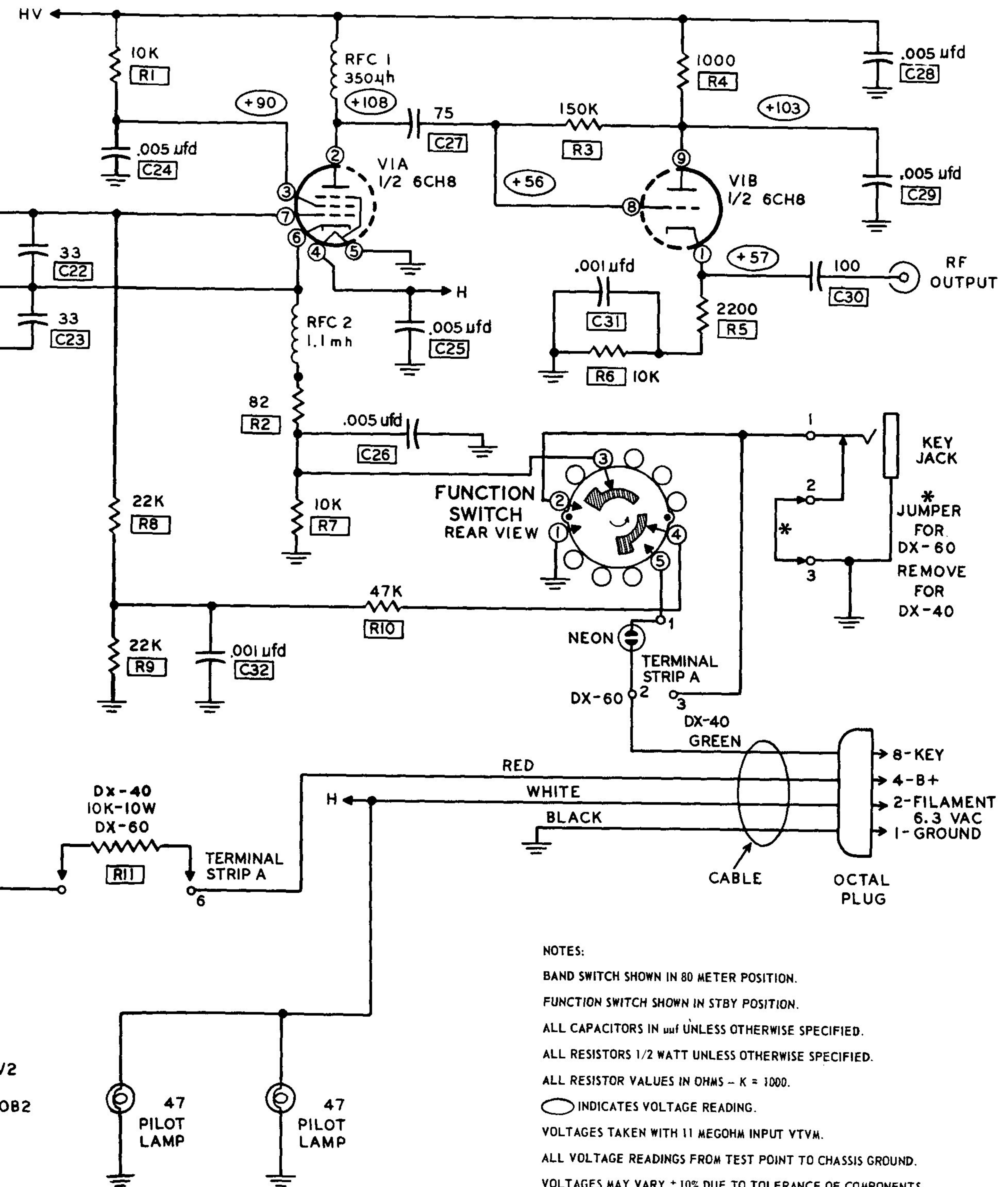
HV ←



VFO
MODEL HG-10

FRONT SECTION
REAR VIEW (FRONT SIDE)
(CONTACTS 4 AND 6 SHORTED IN
2-METER POSITION)





NOTES:

BAND SWITCH SHOWN IN 80 METER POSITION.

FUNCTION SWITCH SHOWN IN STBY POSITION.

ALL CAPACITORS IN μf UNLESS OTHERWISE SPECIFIED.

ALL RESISTORS 1/2 WATT UNLESS OTHERWISE SPECIFIED.

ALL RESISTOR VALUES IN OHMS - K = 1000.

○ INDICATES VOLTAGE READING.

VOLTAGES TAKEN WITH 11 MEGOHM INPUT VTVM.

ALL VOLTAGE READINGS FROM TEST POINT TO CHASSIS GROUND.

VOLTAGES MAY VARY $\pm 10\%$ DUE TO TOLERANCE OF COMPONENTS.