

instructions

FOR THE



HAND-HELD MICROPHONE

Model GH-12A



INTRODUCTION

The HEATHKIT Model GH-12A Hand-Held Microphone is a high impedance type, specially designed for use with radio transmitters. It features tailored response for voice communication and is particularly suitable for the SSB mobile transmitters. The coiled microphone cord and the mounting clip allow handy place-

ment in any installation.

The Microphone can be used with the switch button for push-to-talk operation, or for VOX operation if the switch is not used. Appropriate connections should be made at the transmitter end of the microphone coiled cord.

SPECIFICATIONS

Type Of Element.....	High impedance piezo - ceramic.
Sensitivity.....	-57 dB; below 1 volt per microbar at 2500 Hz.
Frequency Range.....	100 to 5000 Hz.
Peak Response Frequency.....	2300 Hz.
Microphone Switch Rating.....	120 VDC at 1/2 ampere maximum.

PARTS LIST

<u>PART No.</u>	<u>PARTS Per Kit</u>	<u>DESCRIPTION</u>
480-58	1	Microphone, with 8 foot coiled cord and clip
595-1059	1	Instruction sheet

INSTALLATION

Figure 1 shows the wiring of the microphone as it is furnished.

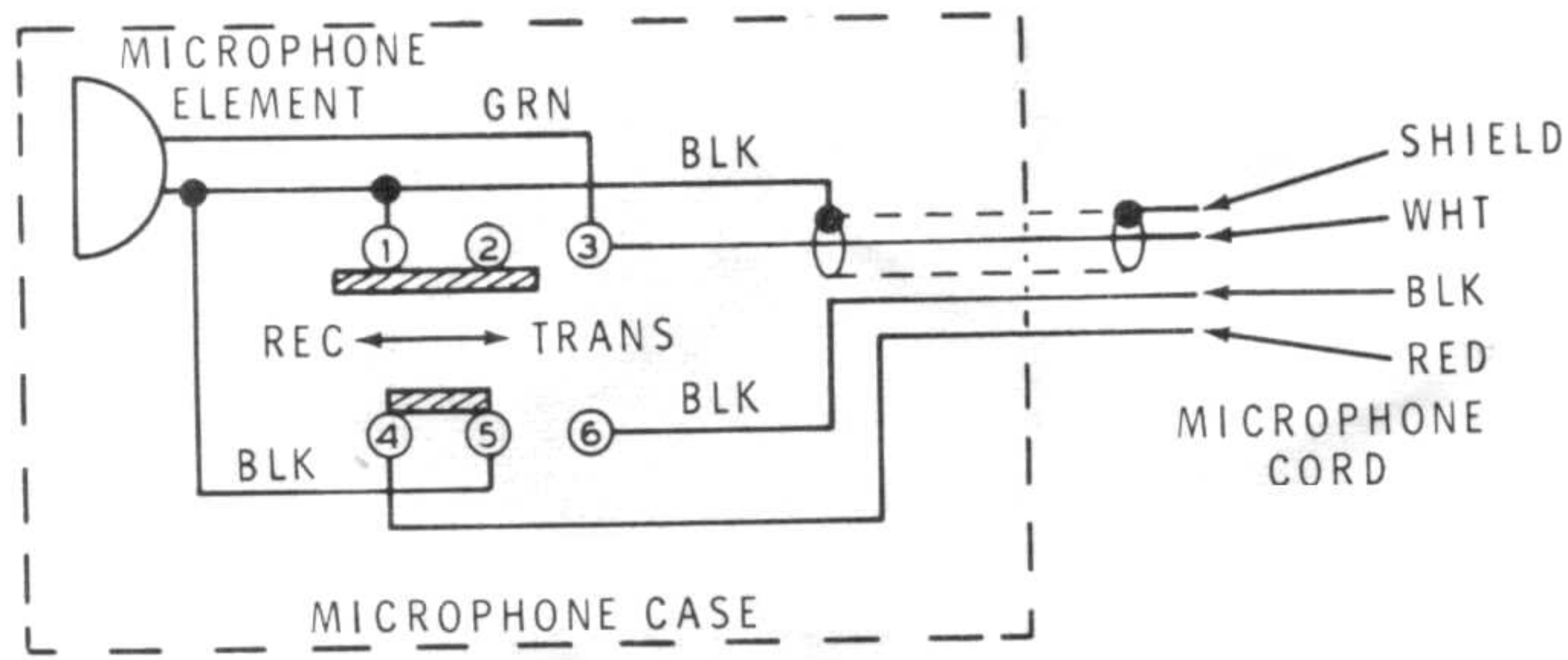


Figure 1

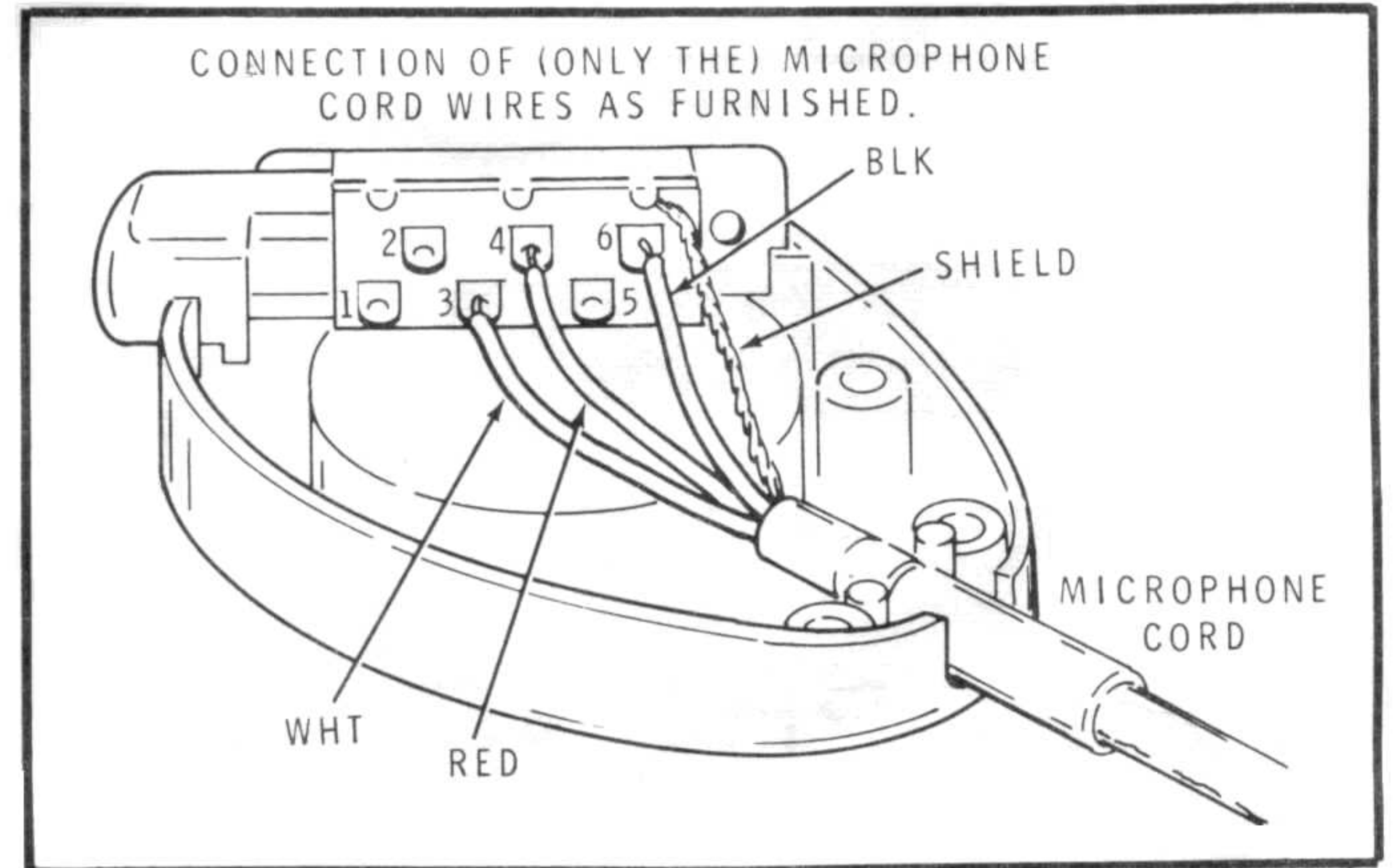


Figure 2

MOUNTING MICROPHONE CLIP

The microphone clip may be installed on the cabinet of the transmitter or on the dash of your automobile, as shown in the following illustrations.

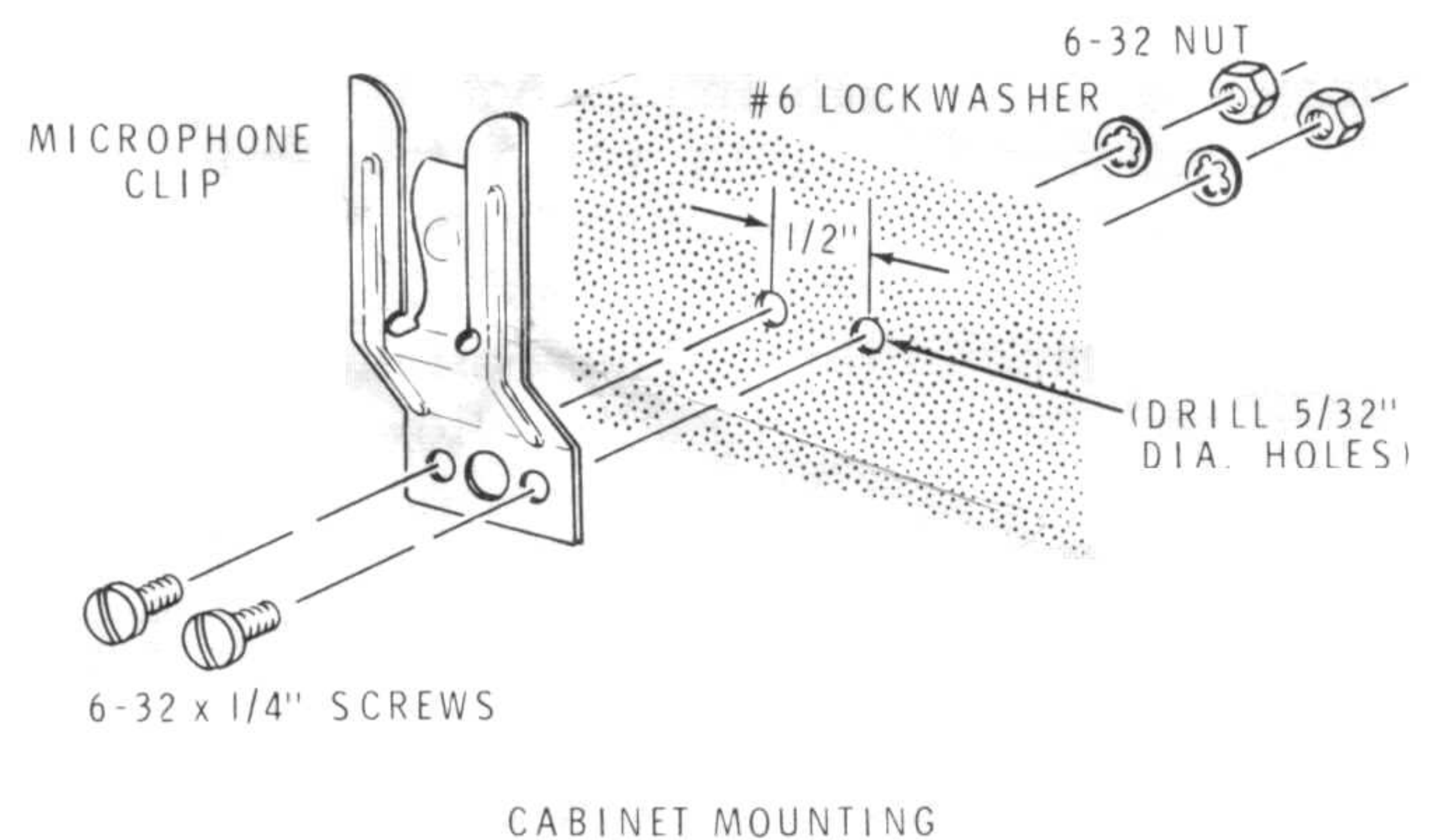
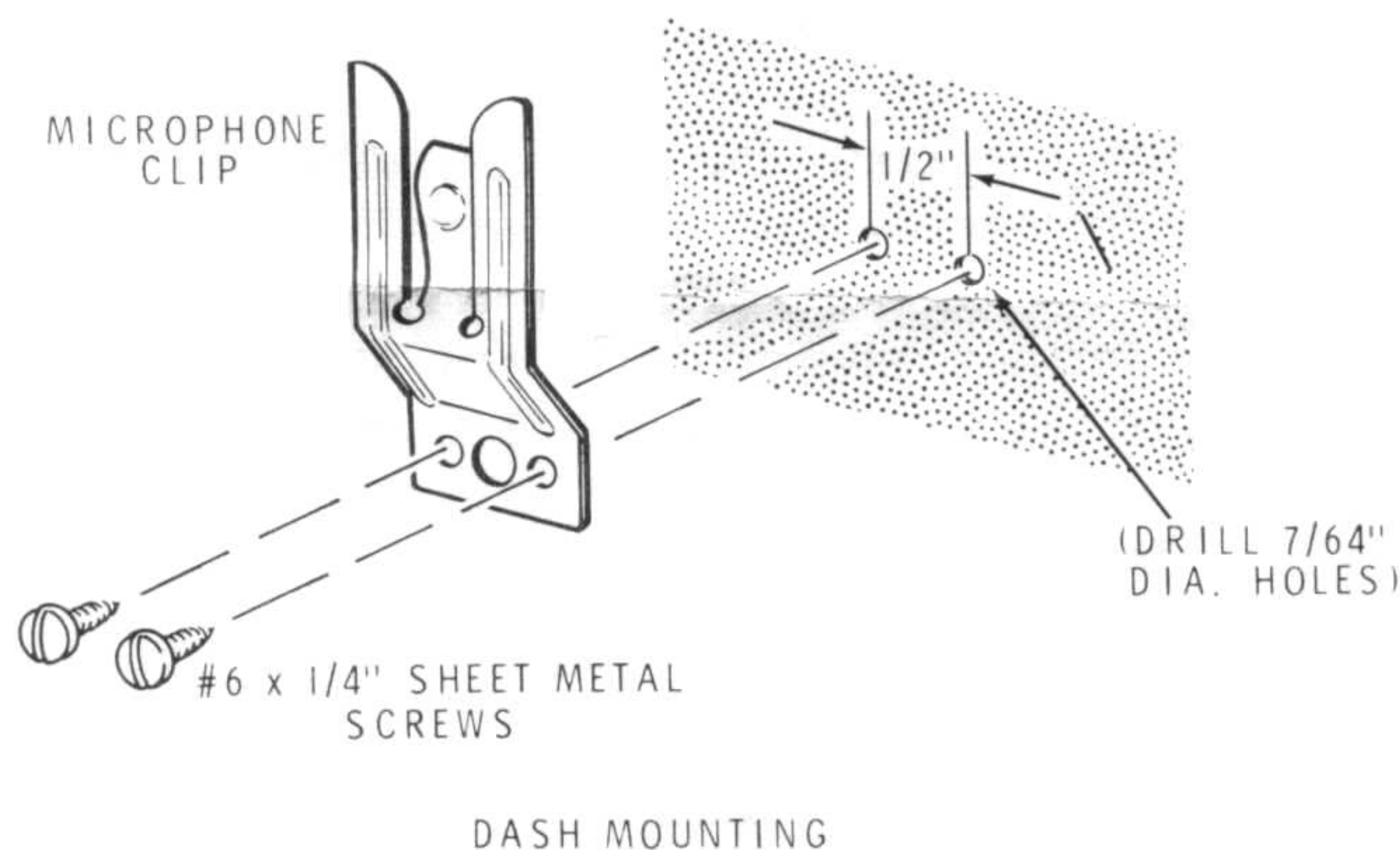


Figure 3

INSTALLATION WITH HEATH EQUIPMENT

Figure 4 shows how to connect the microphone cord to an Amphenol connector #80MC2M. Use this connector with Heath SB and HW series of transmitters and transceivers.

USE WITH OTHER THAN HEATH EQUIPMENT

The Microphone is wired for both VOX and PTT (push-to-talk) operation. If you wish to wire the Microphone for "PTT only," perform the steps under that heading.

NOTE: THE MICROPHONE CORD MAY BE SHORTENED IF YOU PREFER. HOWEVER, THE CORD MUST NOT BE CUT OFF CLOSER THAN TWO INCHES FROM THE FIRST COIL.

VOX And PTT Connections

1. Connect the white (shielded) wire to the connector pin, or terminal, leading to the input of the first audio stage.
2. Connect the shield so it will be grounded to the chassis.
3. Connect the black wire to the lower potential end of your transmit-receive relay, or to the point in the relay amplifier tube circuit which, when grounded, will cause the tube to conduct and close the relay.
4. With the above connections, the Microphone operates VOX with the microphone button released and PTT with the button depressed.

NOTE: The red wire is available for a circuit that should be grounded in the receive mode and opened during transmit (PTT only).

PTT Only Connections

1. Perform steps 1, 2, and 3 under "VOX and PTT Connections."
2. Open the microphone case by removing the five phillips screws. Be sure to observe how the interior components are positioned so they may be properly replaced.
3. Unsolder and remove the white microphone cord wire from switch contact 3.
4. Connect the white microphone cord wire to switch contact 2 (S-1).
5. Reassemble the microphone.

With the above connection (steps 3 and 4), the audio input (white) wire is grounded when the microphone button is released. Depress the button to (a) connect the audio input wire to the microphone element and (b) to operate the transmit-receive relay.

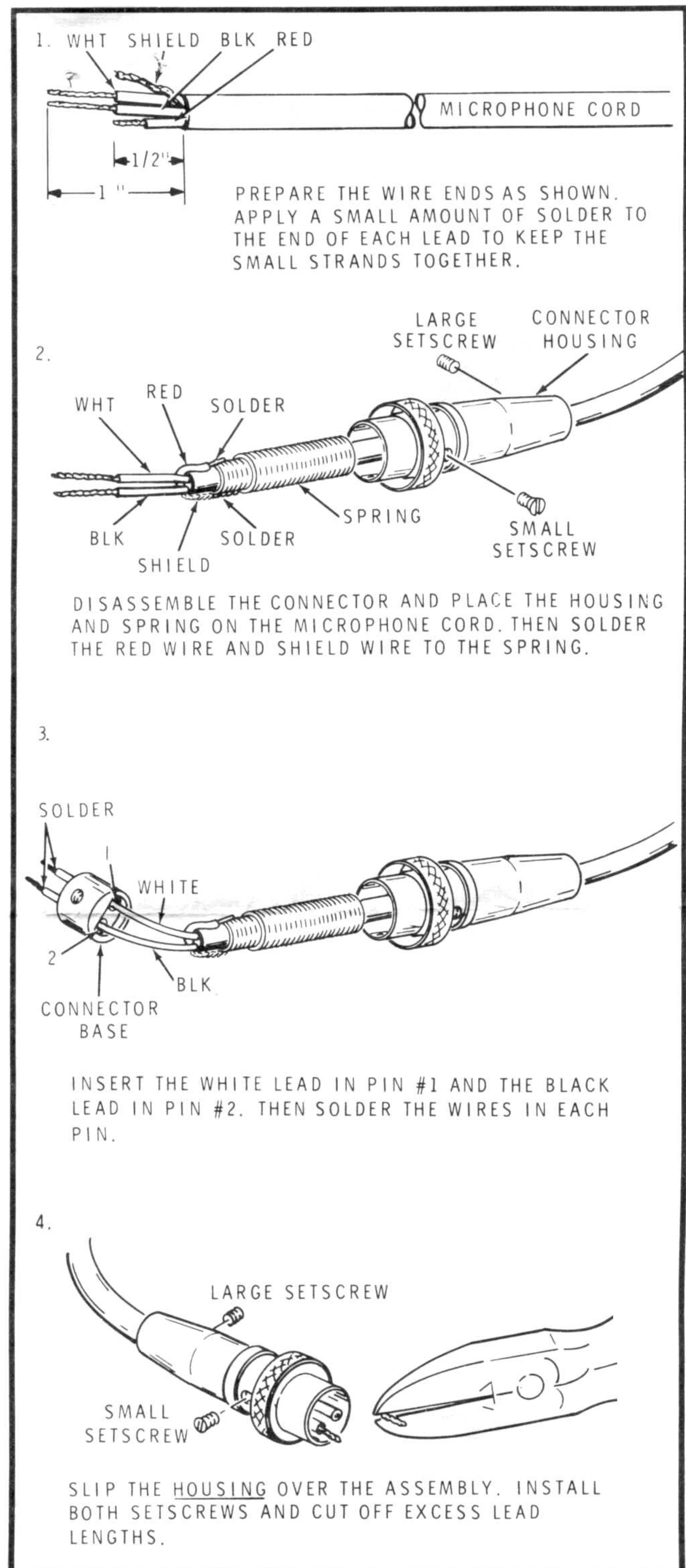


Figure 4