

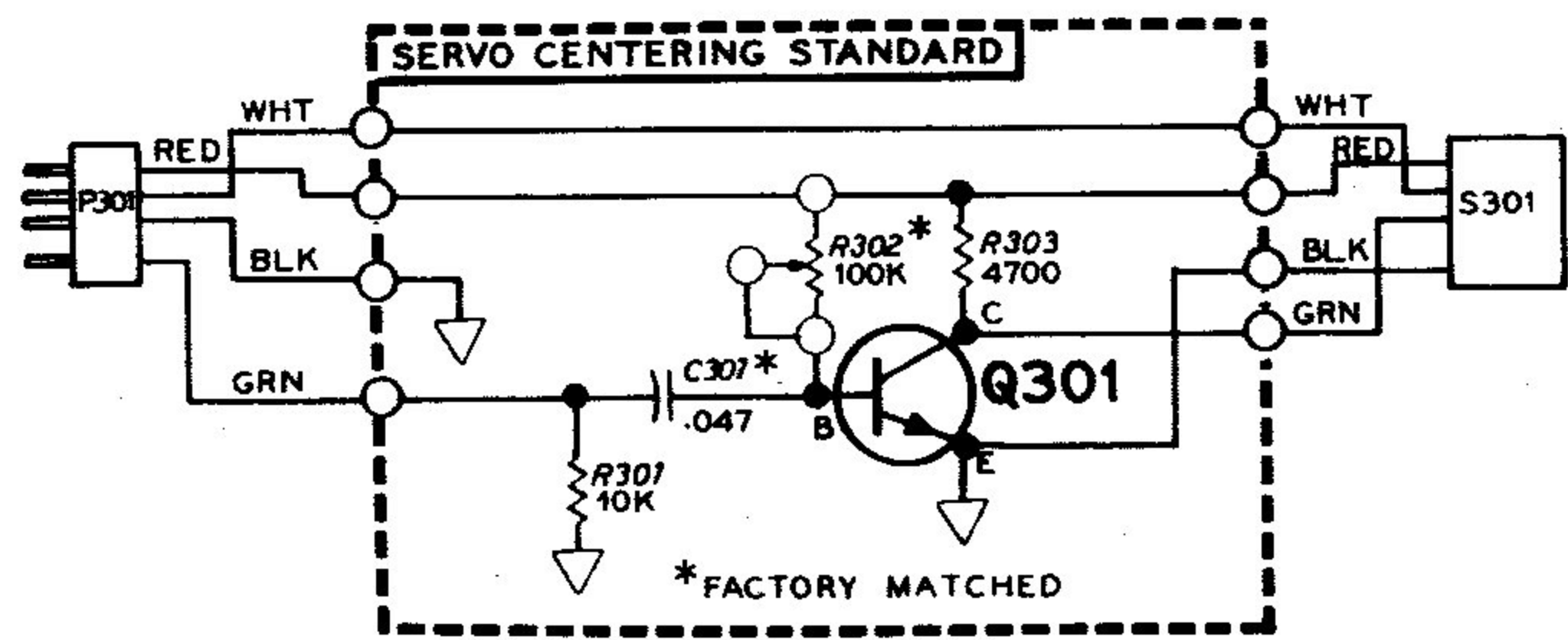
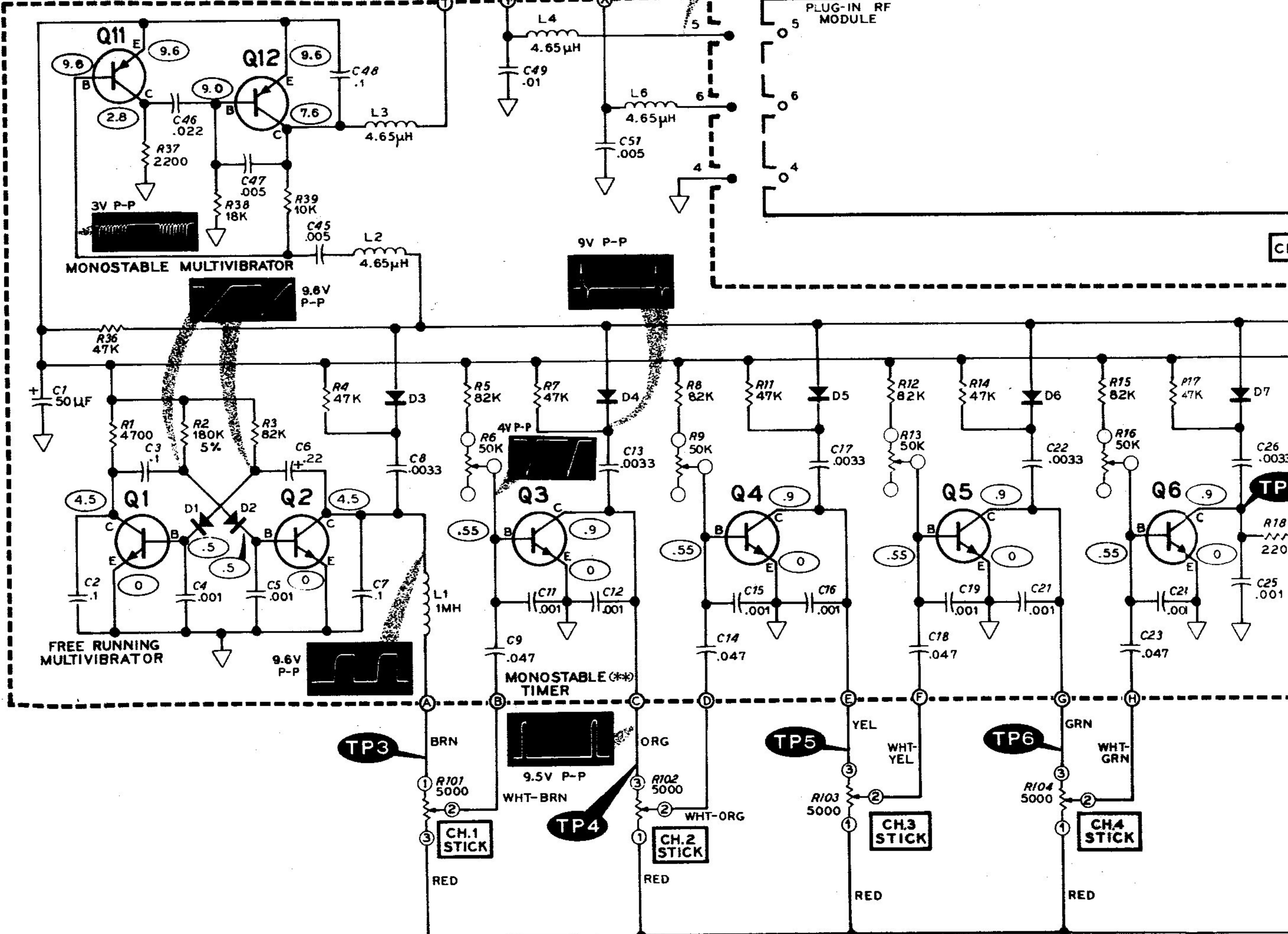
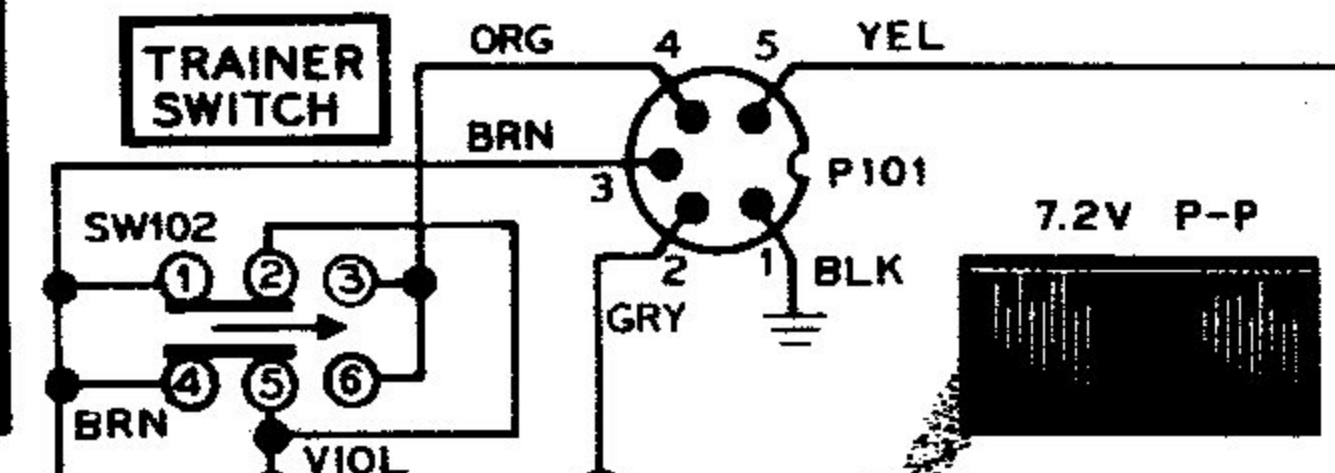
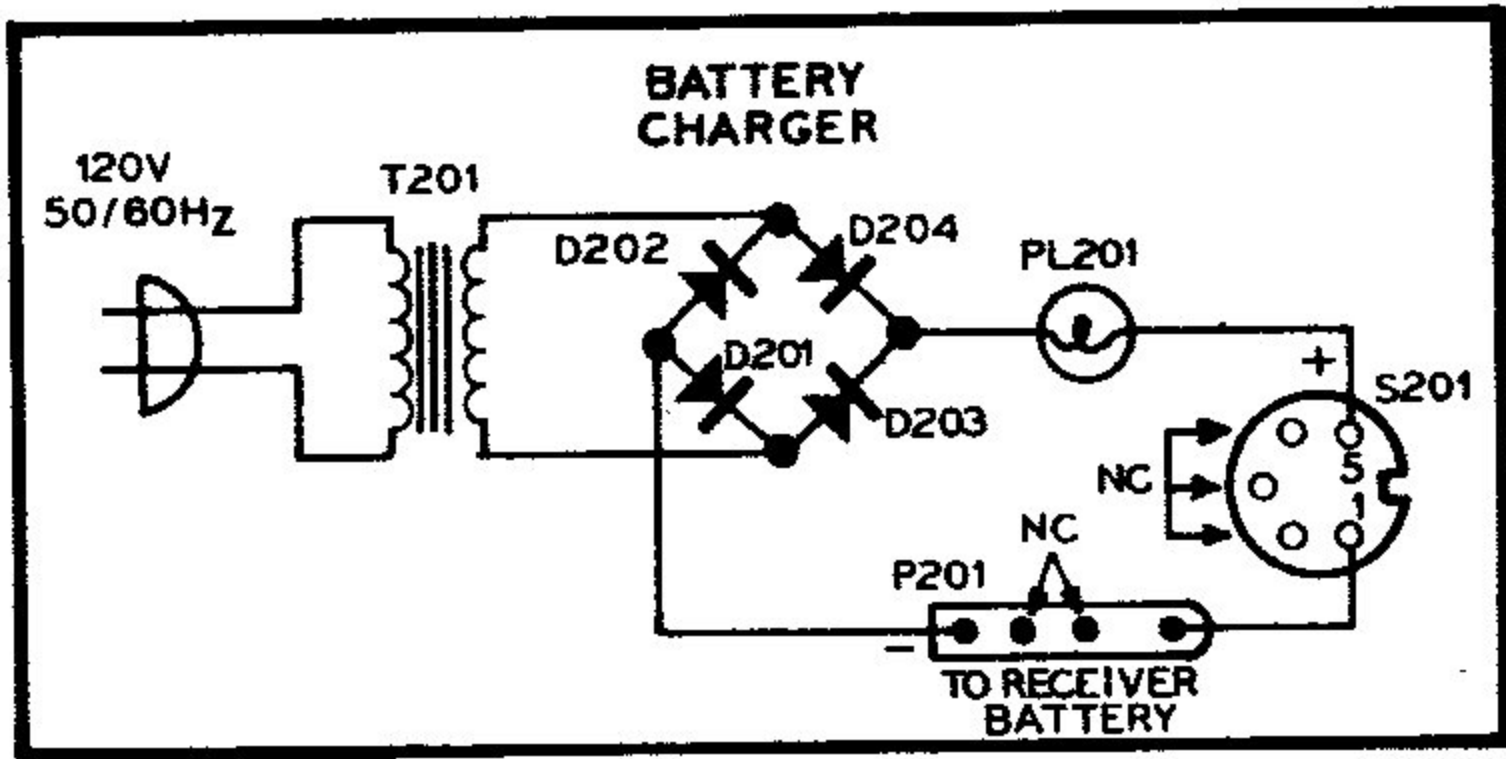
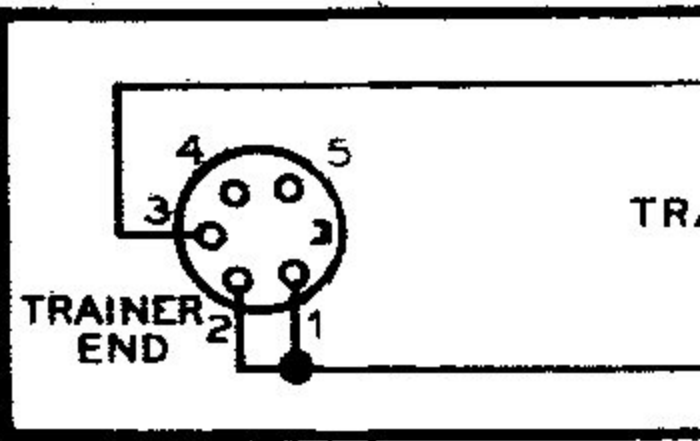
**SCHEMATIC OF THE HEATKIT 8-CHANNEL DIGITAL PROPORTIONAL TRANSMITTER MODEL GDA-1205-D**

(\*) TRANSISTORS Q3 THROUGH Q10 OPERATE IN MONOSTABLE TIMER CIRCUITS. THE WAVEFORMS SHOWN FOR TRANSISTOR Q3 ALSO APPLY FOR TRANSISTORS Q4 THROUGH Q10

**NOTES:**

- COMPONENT NUMBERS ARE IN THE FOLLOWING GROUPS:  
 1 - 99 PARTS MOUNTED ON THE ENCODER CIRCUIT BOARD.  
 101 - 199 PARTS MOUNTED ON THE TRANSMITTER CASE.  
 201 - 299 PARTS MOUNTED IN THE BATTERY CHARGER.  
 301 - 399 PARTS MOUNTED ON THE SERVO CENTERING STANDARD CIRCUIT BOARD.
- ALL RESISTORS ARE 1/4-WATT, 10% TOLERANCE UNLESS NOTED OTHERWISE. RESISTOR VALUES ARE IN OHMS (K=1000).
- ALL CAPACITOR VALUES LESS THAN 1 ARE IN  $\mu$ F, VALUES OF 1 AND ABOVE ARE IN pF UNLESS NOTED OTHERWISE.
- TP THIS SYMBOL INDICATES A TEST POINT.
- THIS SYMBOL INDICATES A DC VOLTAGE MEASURED FROM THE POINT INDICATED TO CHASSIS. ALL VOLTAGES WERE MEASURED WITH A HIGH INPUT IMPEDANCE VOLTMETER. VOLTAGES MAY VARY  $\pm 20\%$ .
- ALL MEASUREMENTS WERE MADE WITH A BATTERY VOLTAGE OF 9.6VDC.
- REFER TO THE CHASSIS PHOTOGRAPH AND CIRCUIT BOARD X-RAY VIEWS FOR THE PHYSICAL LOCATION OF PARTS.



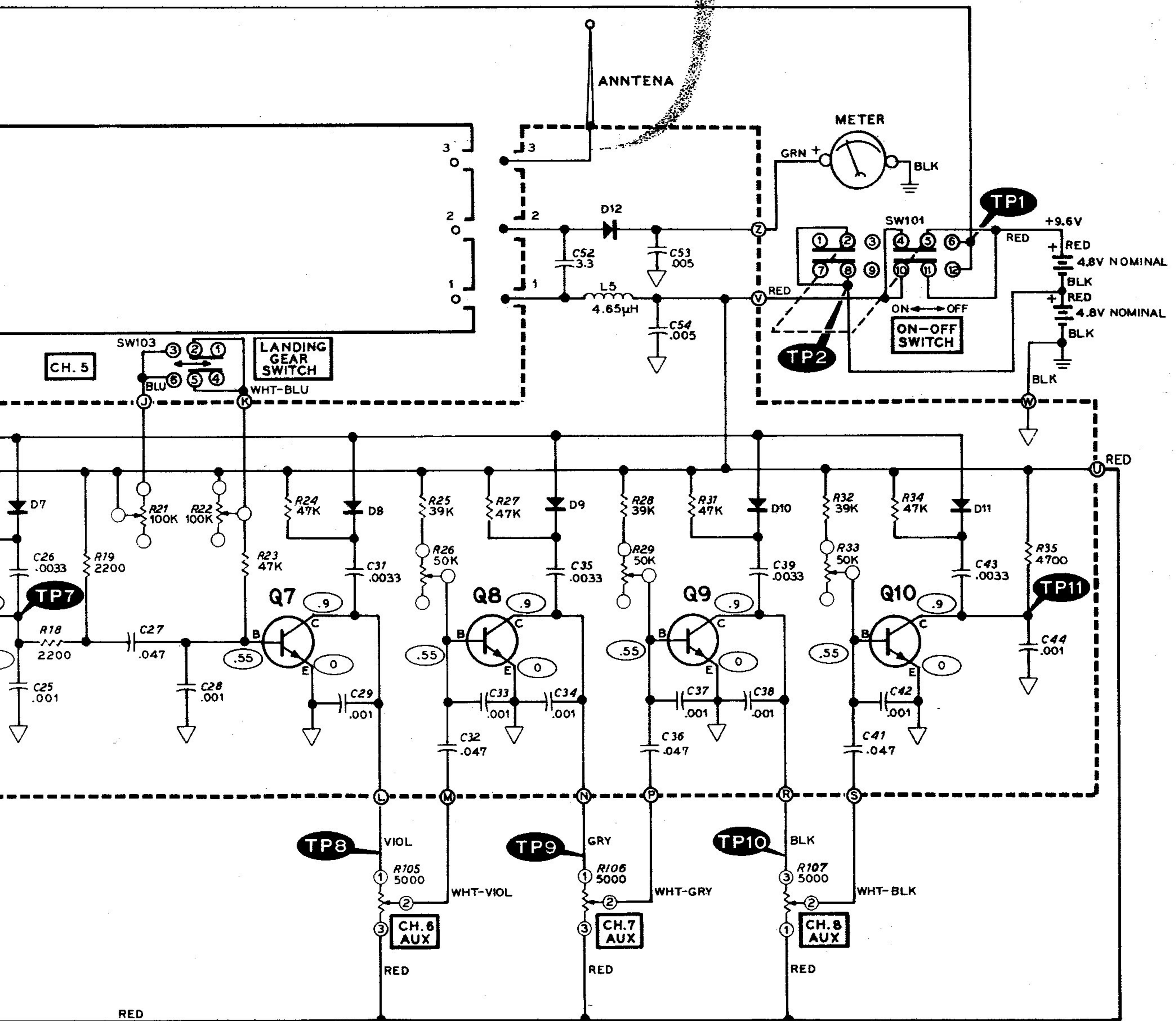
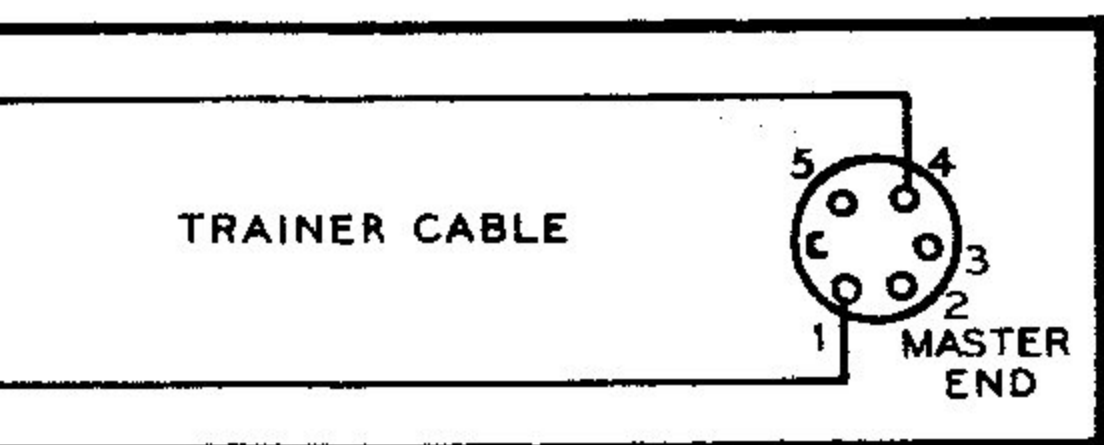


(\*\* ) TRANSISTORS Q3 THROUGH Q10 OPERATE IN MONOSTABLE TIMER CIRCUITS. THE WAVEFORMS SHOWN FOR TRANSISTOR Q3 ALSO APPLY FOR TRANSISTORS Q4 THROUGH Q10

- NOTES:
1. COM 1 101 201 301
  2. ALL NOT
  3. ALL AND
  4. TP

**SCHEMATIC OF THE HEATHKIT 8-CHANNEL DIGITAL PROPORTIONAL TRANSMITTER MODEL GDA-1205-D**

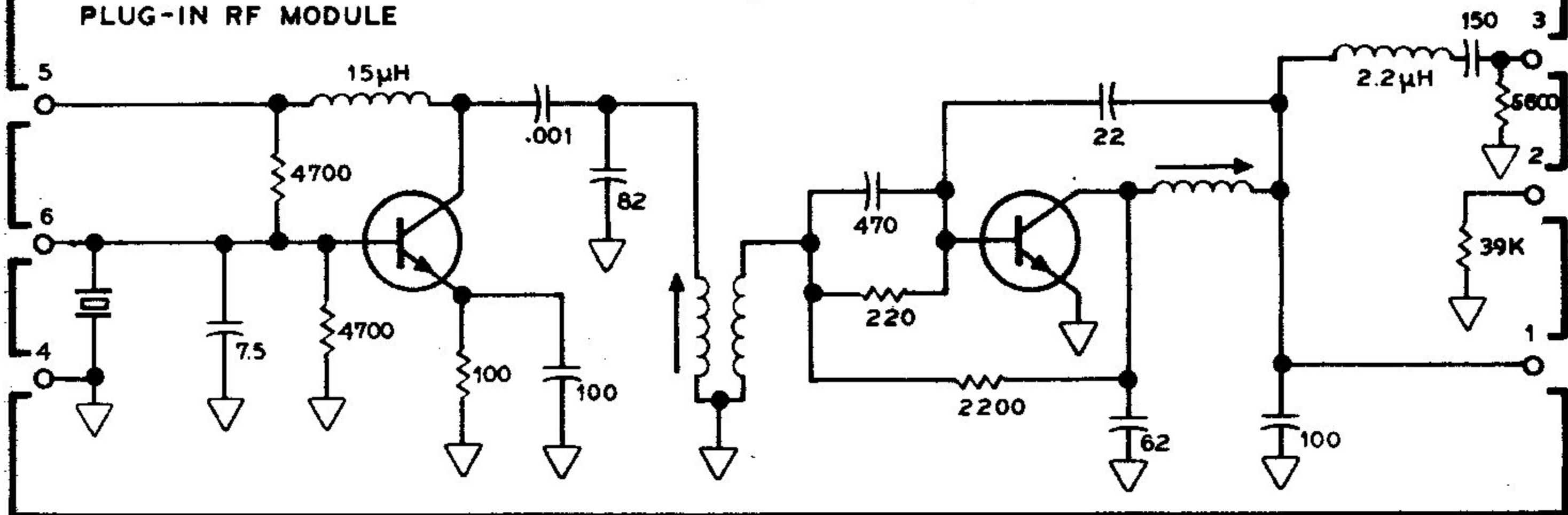




- NOTES:
1. COMPONENT NUMBERS ARE IN THE FOLLOWING GROUPS:  
 1 - 99 PARTS MOUNTED ON THE ENCODER CIRCUIT BOARD.  
 101 - 199 PARTS MOUNTED ON THE TRANSMITTER CASE.  
 201 - 299 PARTS MOUNTED IN THE BATTERY CHARGER.  
 301 - 399 PARTS MOUNTED ON THE SERVO CENTERING STANDARD CIRCUIT BOARD.
  2. ALL RESISTORS ARE 1/4-WATT, 10% TOLERANCE UNLESS NOTED OTHERWISE. RESISTOR VALUES ARE IN OHMS (K=1000).
  3. ALL CAPACITOR VALUES LESS THAN 1 ARE IN  $\mu$ F, VALUES OF 1 AND ABOVE ARE IN pF UNLESS NOTED OTHERWISE.
  4. **TP** THIS SYMBOL INDICATES A TEST POINT.
  5. THIS SYMBOL INDICATES A DC VOLTAGE MEASURED FROM THE POINT INDICATED TO CHASSIS. ALL VOLTAGES WERE MEASURED WITH A HIGH INPUT IMPEDANCE VOLTMETER. VOLTAGES MAY VARY  $\pm 20\%$ .
  6. ALL MEASUREMENTS WERE MADE WITH A BATTERY VOLTAGE OF 9.6VDC.
  7. REFER TO THE CHASSIS PHOTOGRAPH AND CIRCUIT BOARD X-RAY VIEWS FOR THE PHYSICAL LOCATION OF PARTS.

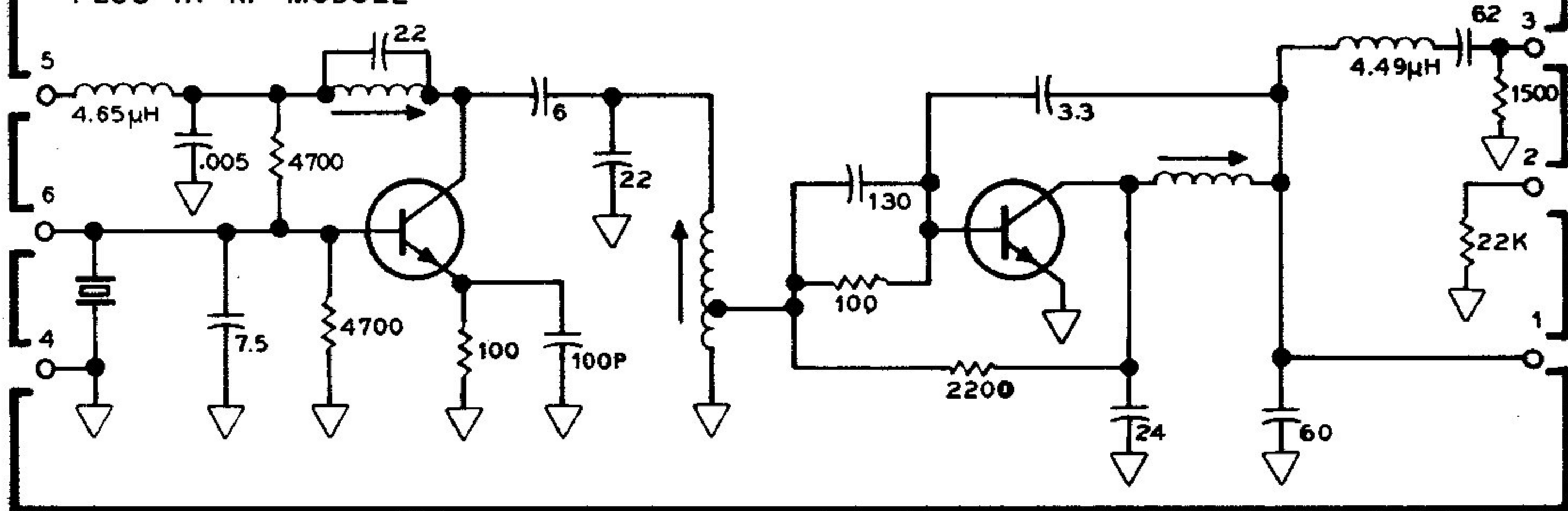
PLUG-IN RF MODULE

(27MHZ BAND)



PLUG-IN RF MODULE

(53MHz BAND)



PLUG-IN RF MODULE

(72MHZ BAND)

