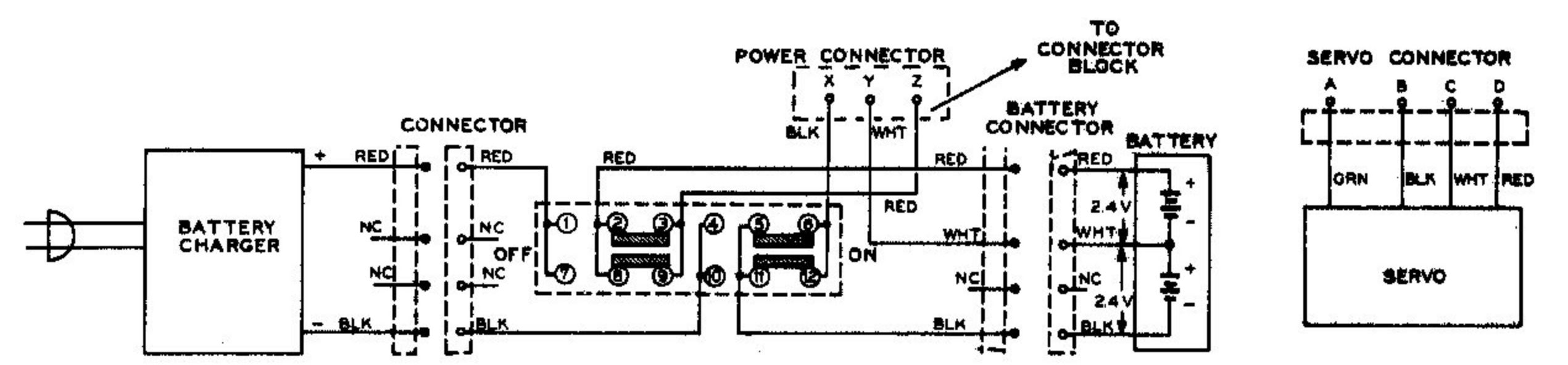


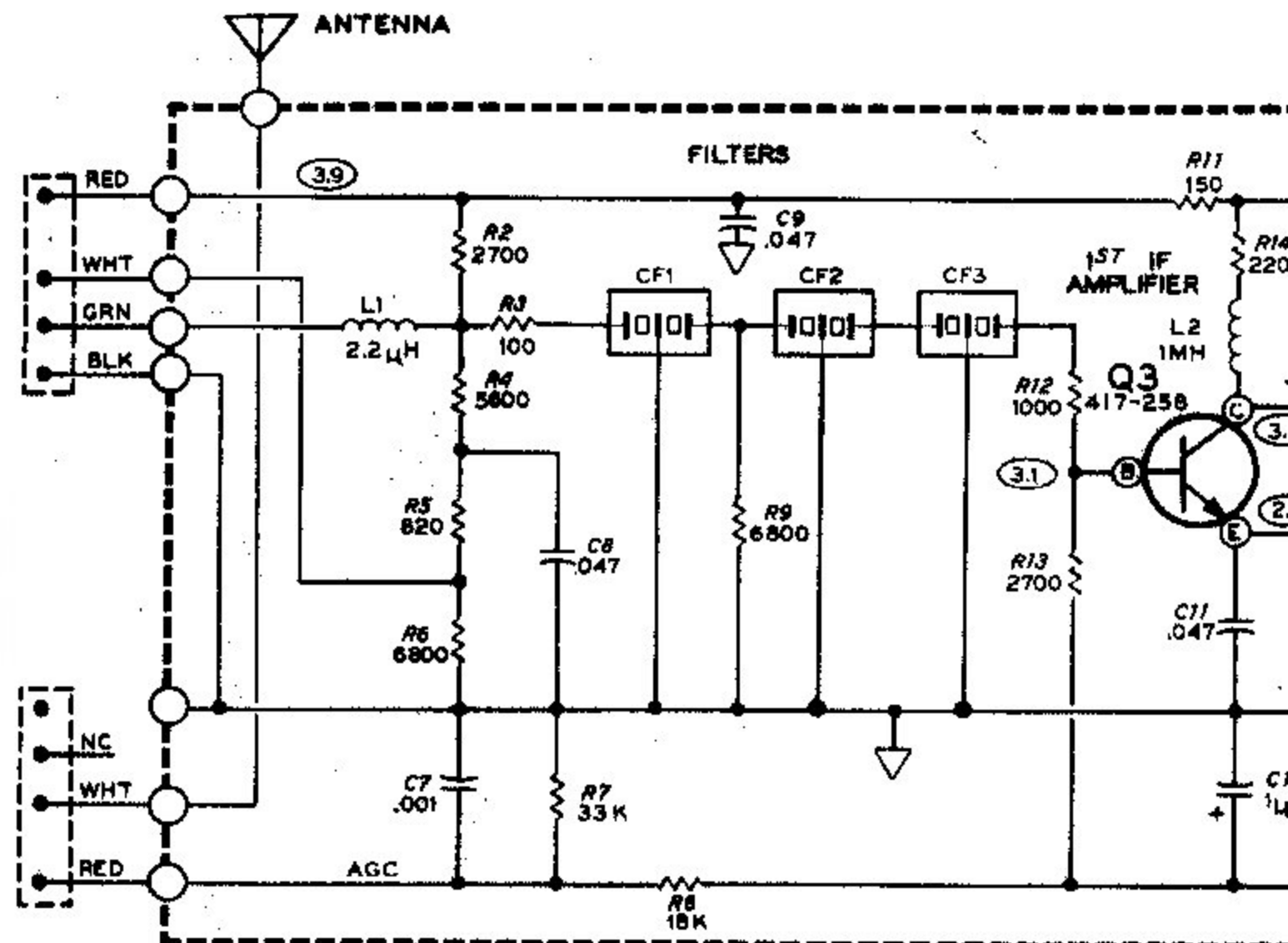
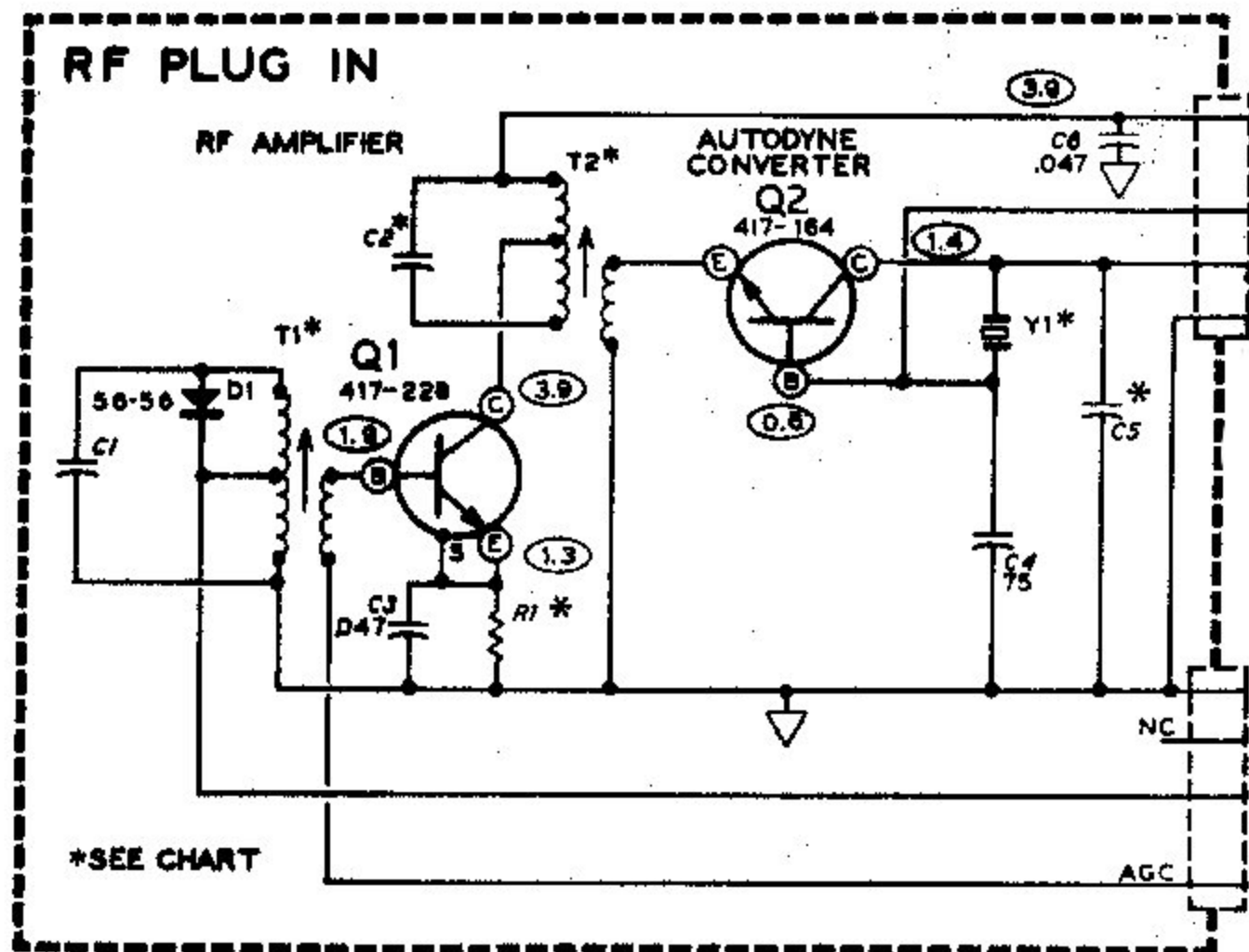
**SCHEMATIC OF THE
HEATHKIT®
MODEL GDA-1205-2
8-CHANNEL MODULAR R/C RECEIVER**

NOTES:

1. ALL RESISTORS ARE 1/4-WATT UNLESS OTHERWISE MARKED (k = 1000).
2. CAPACITOR VALUES LESS THAN 1 ARE IN μ F. VALUES 1 OR GREATER ARE IN pF UNLESS OTHERWISE NOTED.
3. ○ THIS SYMBOL INDICATES A POSITIVE DC VOLTAGE MEASUREMENT WITH NO SIGNAL BEING RECEIVED.
4. * THIS SYMBOL IS USED ON A PART THAT CHANGES VALUE DEPENDING ON THE FREQUENCY BAND IN YOUR RECEIVER. SEE THE CHART "ALTERNATE FREQUENCIES AND PARTS."
5. ALL VOLTAGES ARE MEASURED WITH A HIGH IMPEDANCE VOLTMETER, FROM THE POINT INDICATED TO COMMON GROUND. VOLTAGES MAY VARY $\pm 20\%$.
6. REFER TO THE "STEP-BY-STEP ASSEMBLY" OR TO THE "CIRCUIT BOARD X-RAY VIEWS" FOR THE PHYSICAL LOCATION OF PARTS.



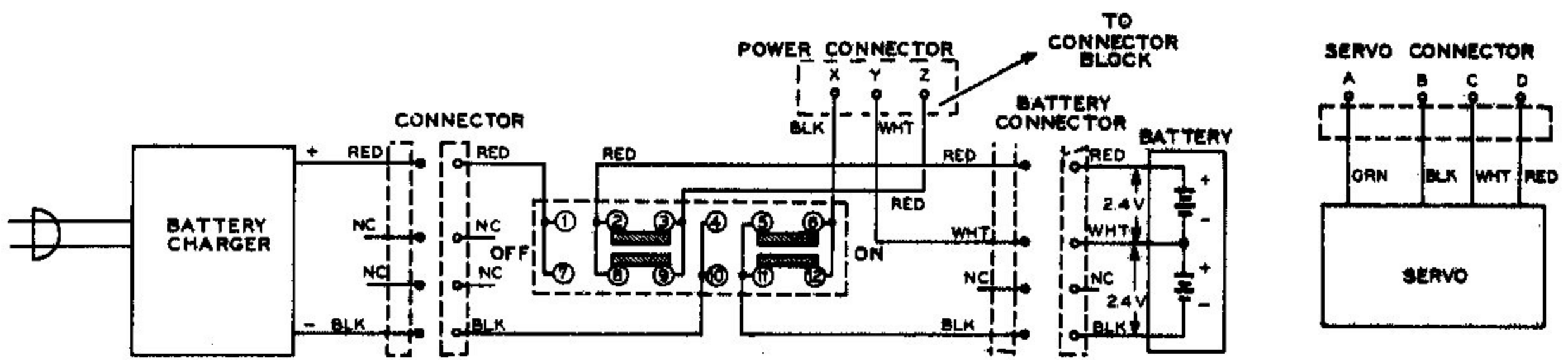
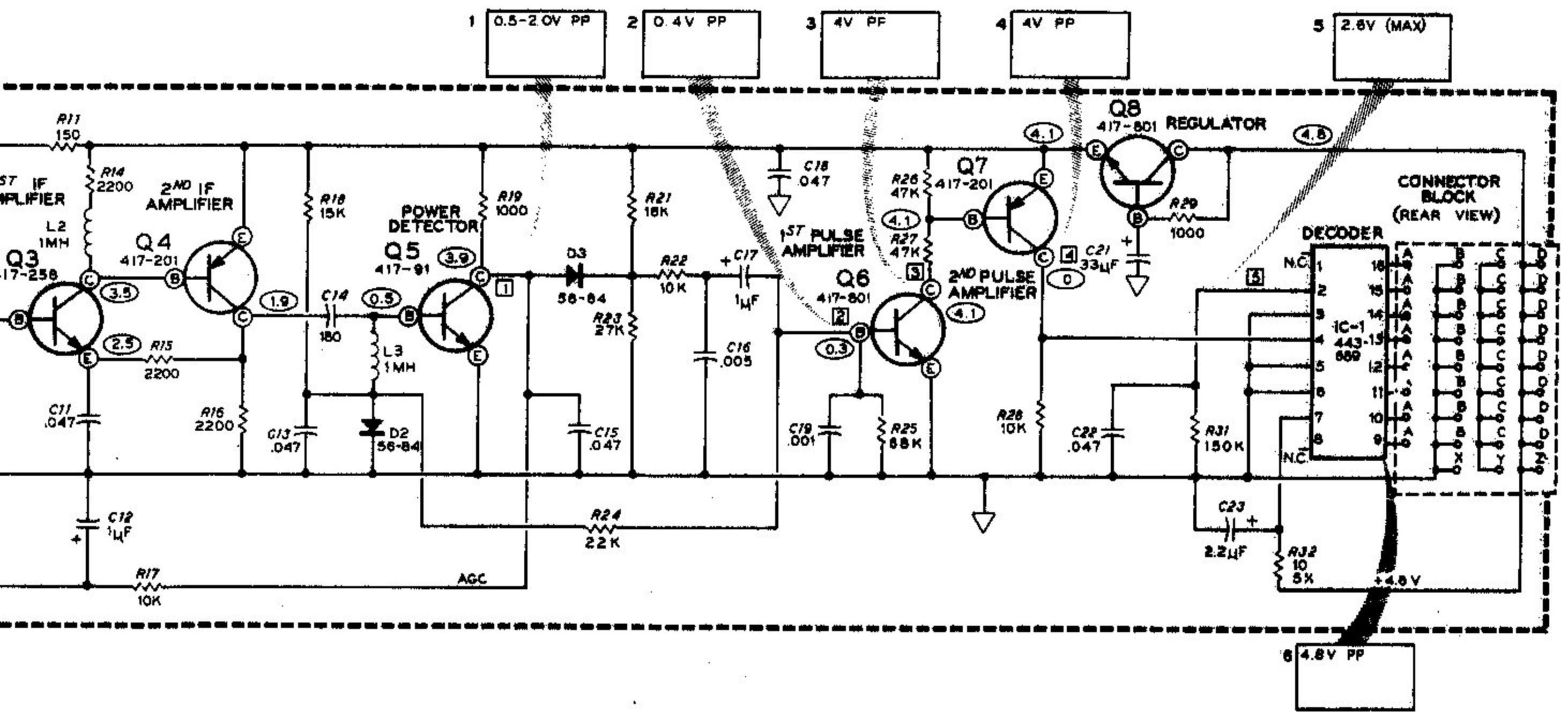
INTERCONNECTING DIAGRAM



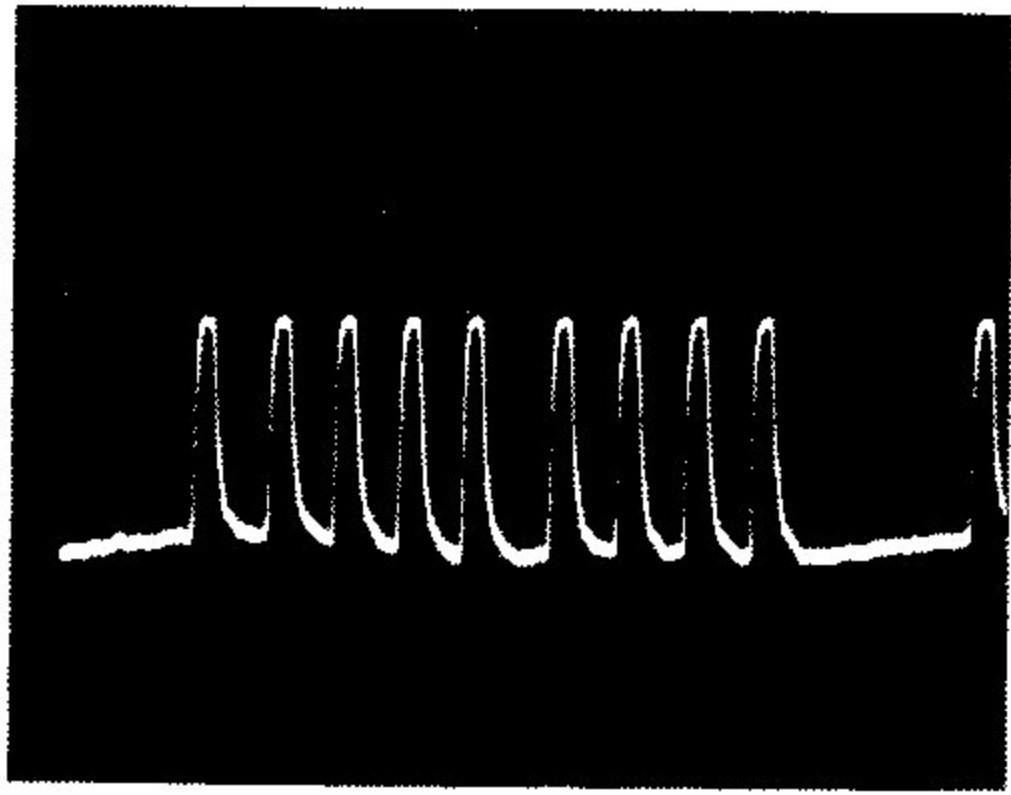
**SCHEMATIC OF THE
HEATHKIT®
MODEL GDA-1205-2
8-CHANNEL MODULAR R/C RECEIVER**

NOTES:

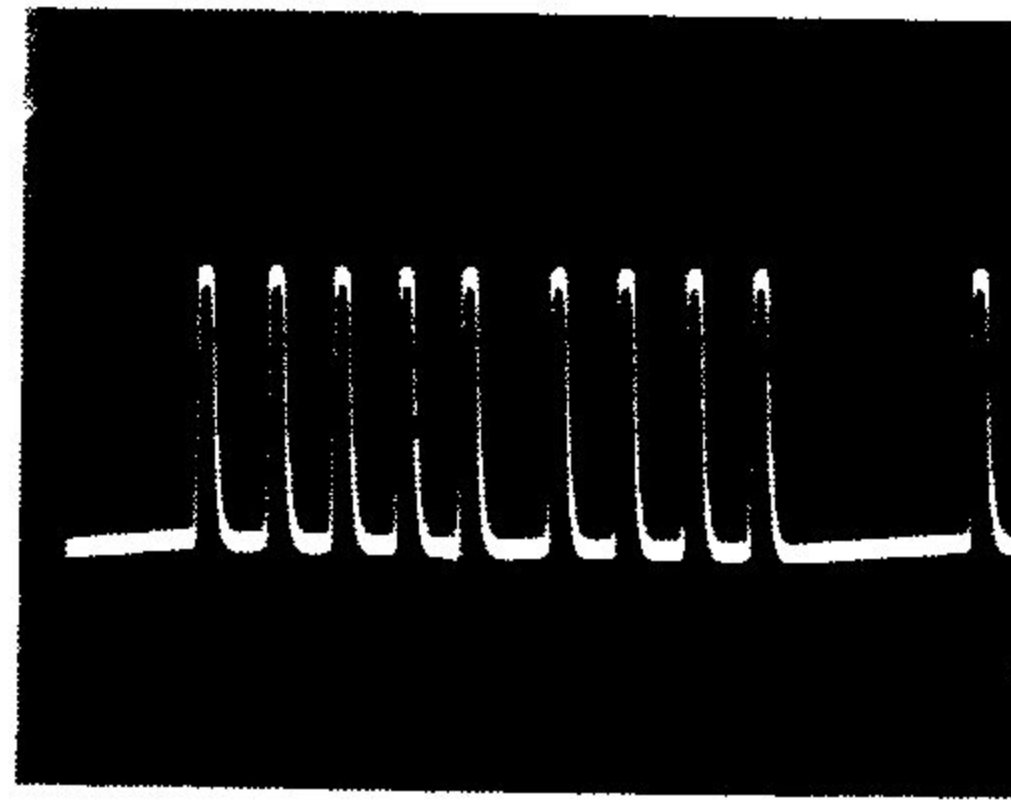
1. ALL RESISTORS ARE 1/4-WATT UNLESS OTHERWISE MARKED (k = 1000).
2. CAPACITOR VALUES LESS THAN 1 ARE IN μ F. VALUES 1 OR GREATER ARE IN pF UNLESS OTHERWISE NOTED.
3. ○ THIS SYMBOL INDICATES A POSITIVE DC VOLTAGE MEASUREMENT WITH NO SIGNAL BEING RECEIVED.
4. * THIS SYMBOL IS USED ON A PART THAT CHANGES VALUE DEPENDING ON THE FREQUENCY BAND IN YOUR RECEIVER. SEE THE CHART "ALTERNATE FREQUENCIES AND PARTS."
5. ALL VOLTAGES ARE MEASURED WITH A HIGH IMPEDANCE VOLTMETER, FROM THE POINT INDICATED TO COMMON GROUND. VOLTAGES MAY VARY $\pm 20\%$.
6. REFER TO THE "STEP-BY-STEP ASSEMBLY" OR TO THE "CIRCUIT BOARD X-RAY VIEWS" FOR THE PHYSICAL LOCATION OF PARTS.



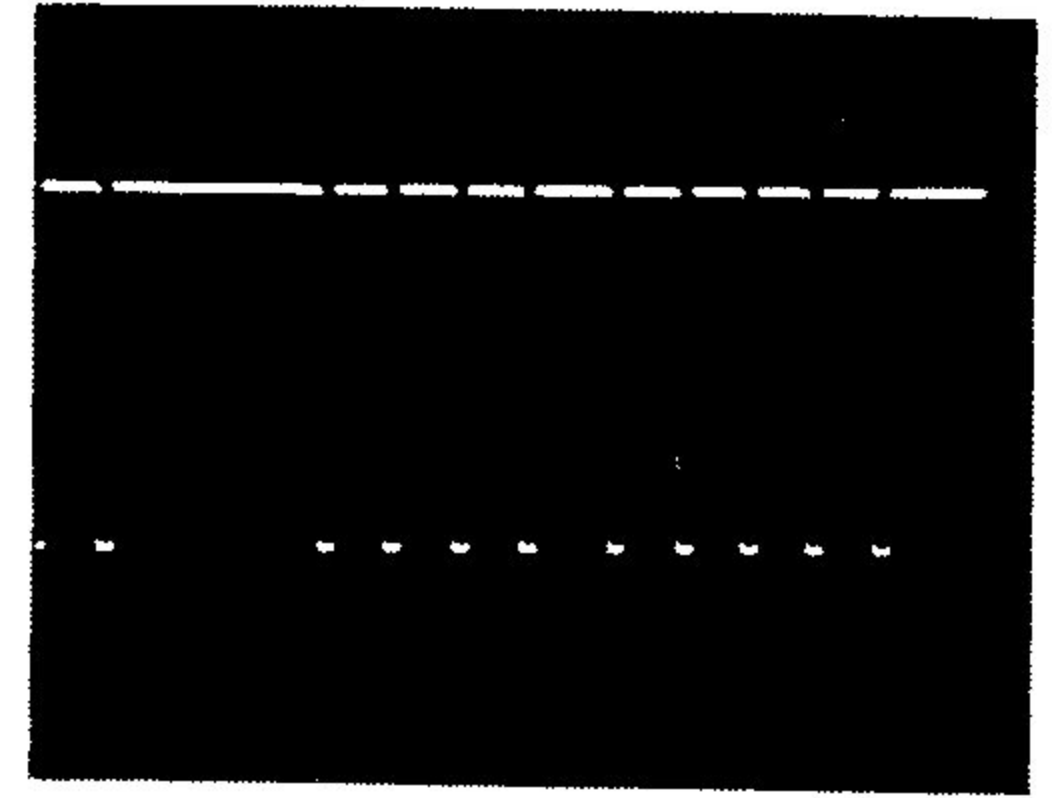
INTERCONNECTING DIAGRAM



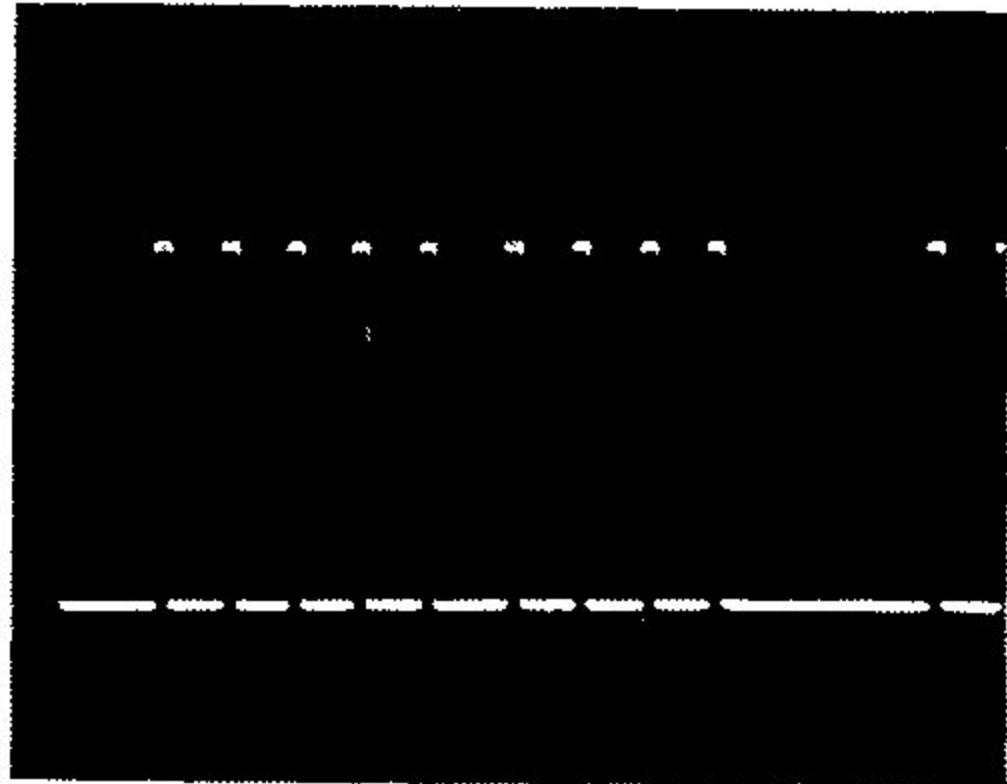
1 COLLECTOR Q5
.5 – 2.0V p-p



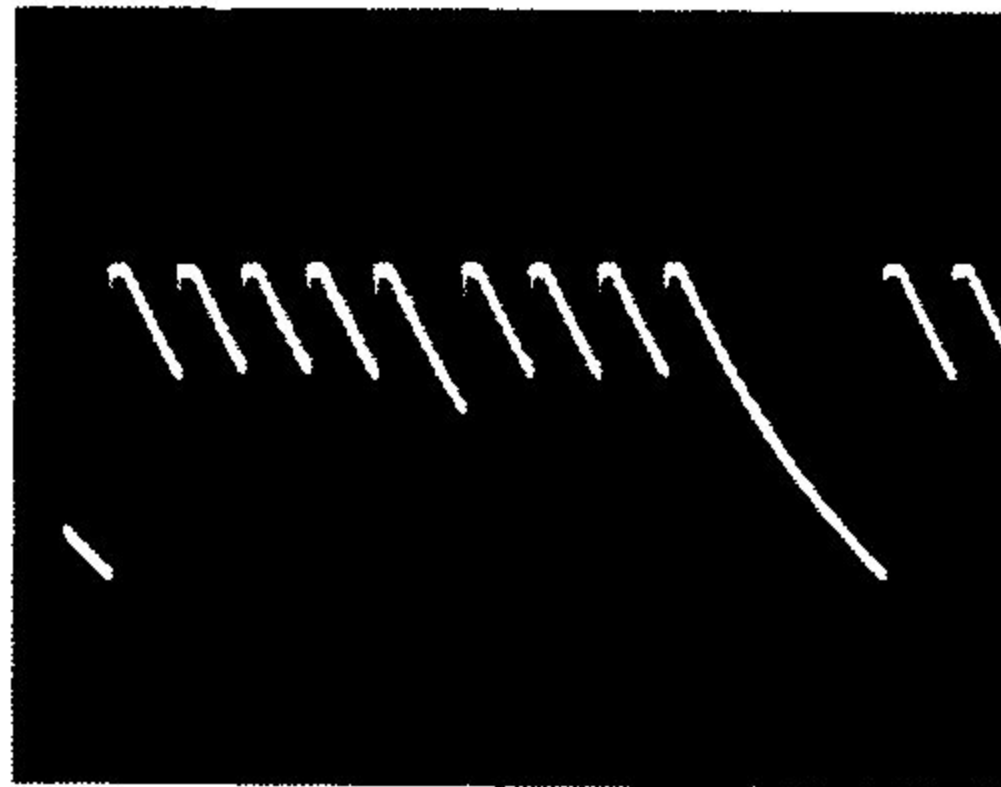
2 BASE OF Q6
0.4V p-p



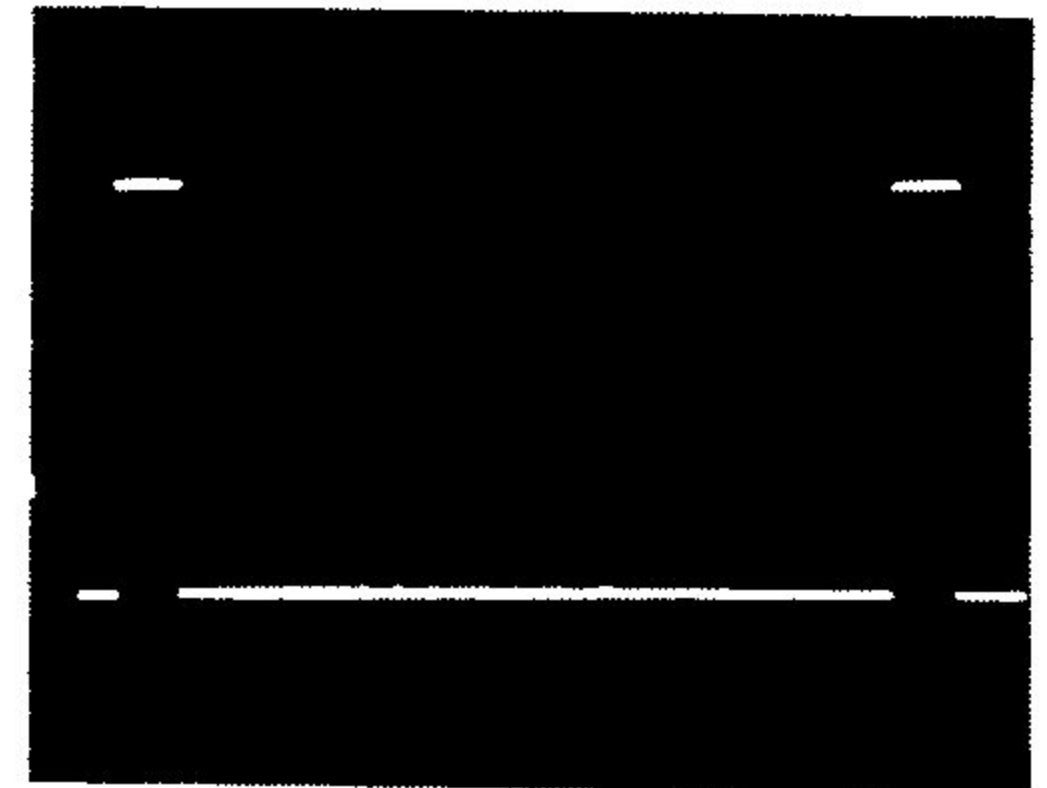
3 COLLECTOR Q6
4.0V p-p



4 COLLECTOR Q7
4.0V p-p



5 PIN 2 IC101
4.8V p-p



6 IC OUTPUT PINS 9-16
(with servo connected)
4.8V p-p